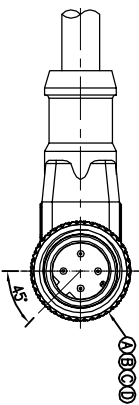
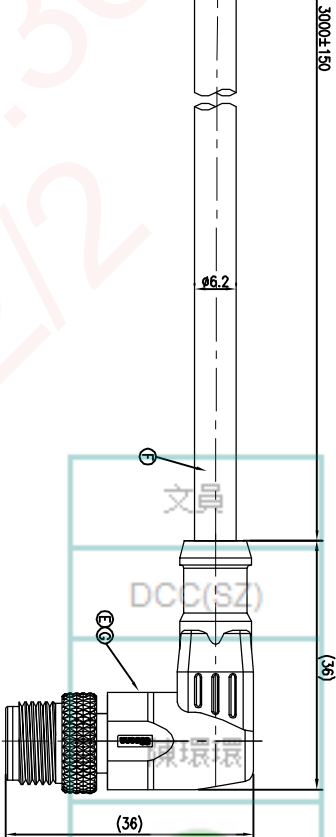
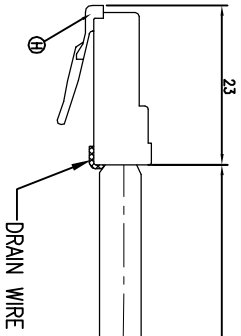
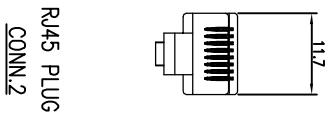
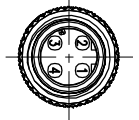
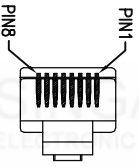


REV.	ECN NO.	OR DESCRIPTION	REVISED	DATE
A	PDR NO.: T140418-1A		Vicky	2014.05.08



WATERPROOF RATE: IP67

	SHIELD	DRAIN	SHIELD
8	BROWN	/	/
7	BROWN/WHITE	/	/
6	ORANGE	4	4
5	BLUE/WHITE	/	/
4	BLUE	/	/
3	ORANGE/WHITE	2	2
2	GREEN	3	3
1	GREEN/WHITE	1	1
CONN.2	WIRE COLOR	CONN.1	
PIN OUT			



Pin Assignments  
Front View

Pin Assignments  
Front View

- NOTES:
- 1 ELECTRICAL CHARACTERISTICS:
    - 1-1 CURRENT RATING: 5 AMPS.
    - 1-2 CONTACT RESISTANCE: 3 Ohm Max.
    - 1-3 INSULATION RESISTANCE: 100 Mohm Min. at 500VDC.
    - 1-4 BREAKDOWN VOLTAGE: 500 VAC PER MINUTE.
  2. ENVIRONMENTAL:
    - 2-1 OPERATING TEMPERATURE: -20°C TO +80°C.
    - 2-2 SEALING REQUIREMENTS: IP67.
    - 3. LIFE TEST: 1,000 CYCLES MIN.
    - 4. OTHER GENERAL SPEC. TO REFER "M12 SERIES SPEC."
    - 5. FOR TECHNICAL DATA REFER TO YOUR LOCAL SINGATRON ELECTRONICS SALES OFFICE.
    - 6. ALL DIMENSIONS ARE NOMINAL FOR REFERENCE ONLY UNLESS OTHERWISE STATED.
    - 7. TO CONFORM TO SINGATRON HAZARDOUS SUBSTANCE FREE SPEC.
    - 8. GREEN PRODUCT IDENTIFICATION LABEL ON PACKAGING: .

H	RJ45 PLUG	1	8P8C SHIELDED	GOLD PLATED
G	INNER MOLD	1	TPU	NATURAL
F	CABLE	1	PVC JACKET CAT5E FTP 24##4P+MY+D+H +A/M BLACK OD 6.2	BLACK
E	OVER MOLD	1	TPU	BLACK
D	SHIELD	1	BRASS	NICKEL PLATING
C	SCREW NUT	1	BRASS	NICKEL PLATING 100u"
B	MALE PIN	4	BRASS	6u" GOLD PLATING OVER NICKEL PLATING
A	BODY	1	PA66	BLACK
NO	DESCRIPTION	QTY	MATERIAL	PLATING & COLOR

UNLESS OTHERWISE SPECIFIED TOLERANCES

DECIMALS: ANGLES:

X :±0.5 X :±2

X.X :±0.3 X.X :±1'

X.XX :±0.2

TITLE: M12 SERIES D-CODE 90° 4PIN MALE CONN.  
WHIT RJ45 PLUG

Singatron Enterprise Co., Ltd.  
信亨企業股份有限公司

DWN Vicky PART NO. 2MT3063-W04301H

CHKD Harden SCALE 1:1 UNIT: mm

APVD Steve SIZE: A3 SHEET: 1 OF 1 REV: A

CUSTOMER COPY