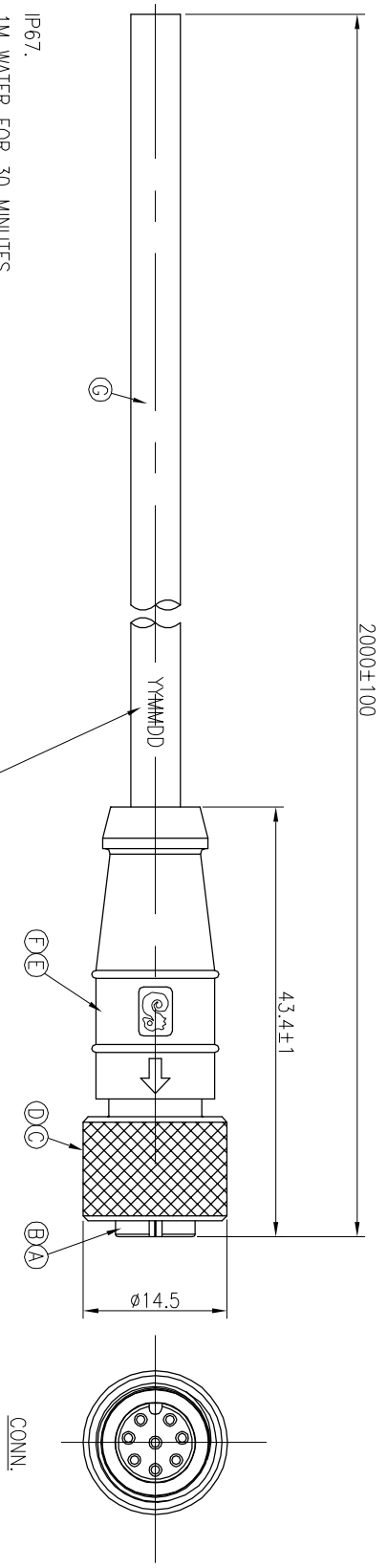


REV.	ECN NO OR DESCRIPTION	REVISED	DATE
A	PDR NO.:S221212-2A~D	LEI	2023.07.20



- NOTES:
1. WATERPROOF RATE: IP67.
  2. TEMPERATURE RANGE: -20°C TO +80°C.
  3. SPECIFICATIONS: SEE "M12 SERIES SPECIFICATIONS".
  4. TO CONFORM TO SINGATRON HAZARDOUS SUBSTANCE FREE SPEC.
  5. GREEN PRODUCT IDENTIFICATION LABEL ON PACKAGING: **SGS PAPER**
  6. DATE CODE: "YYMMDD"

DAY(01~31)  
MONTH(01~12)  
YEAR(01~99)

P/N:	Pin Assignments Front View	Cable Spec.	Rating
2MT3090 -W033A0H		UL2464 22AWG*3C+AL BLACK OD:5.0mm WIRE COLOR: 1.BROWN 3.BLUE 4.BLACK	5A 60V
2MT3090 -W043A0H		UL2464 22AWG*4C+AL BLACK OD:5.0mm WIRE COLOR: 1.BLACK 2.BROWN 3.BLUE 4.WHITE	5A 60V
2MT3090 -W053A0H		UL2464 22AWG*5C+AL BLACK OD:5.5mm WIRE COLOR: 1.BROWN 2.WHITE 3.BLUE 4.BLACK 5.GREEN	5A 60V
2MT3090 -W082A0H		UL2464 24AWG*8C+AL BLACK OD:5.4mm WIRE COLOR: 1.BLACK 2.BROWN 3.GREEN 4.YELLOW 5.GRAY 6.WHITE 7.BLUE 8.RED	2A 60V

G	CABLE	1	SEE "CABLE SPEC" IN TABLE AT LOWER LEFT	BLACK
F	OVER MOLD	1	TPU	BLACK
E	INNER MOLD	1	TPU	BLACK
D	O-RING	1	VTION	RED
C	SCREW NUT	1	BRASS	NICKEL PLATING
B	FEMALE PIN	*	Phosphor Bronze Alloy	GOLD PLATED OVER NICKEL PLATING
A	BODY	1	TPU	BLACK
NO	DESCRIPTION	QTY	MATERIAL	PLATING & COLOR

UNLESS OTHERWISE SPECIFIED TOLERANCES

DECIMALS: ANGLES:

X :±0.5 X :±2°  
XX :±0.3 X.X :±1°  
X.XX :±0.2

Material: **Suzhou Singatron Auto Electronics CO.,LTD.**  
蘇州信音汽車電子有限公司

TITLE: M12 SERIES 180°(3&4&5&8)PIN FEMALE CONN.  
DMN: LEI  
CHKD: Jun  
APVD: Steve

PART NO. 2MT3090-W033A0H  
SCALE: 2:1 UNIT: mm

SIZE: A3 SHEET: 1 OF 1 REV: A

CUSTOMER COPY