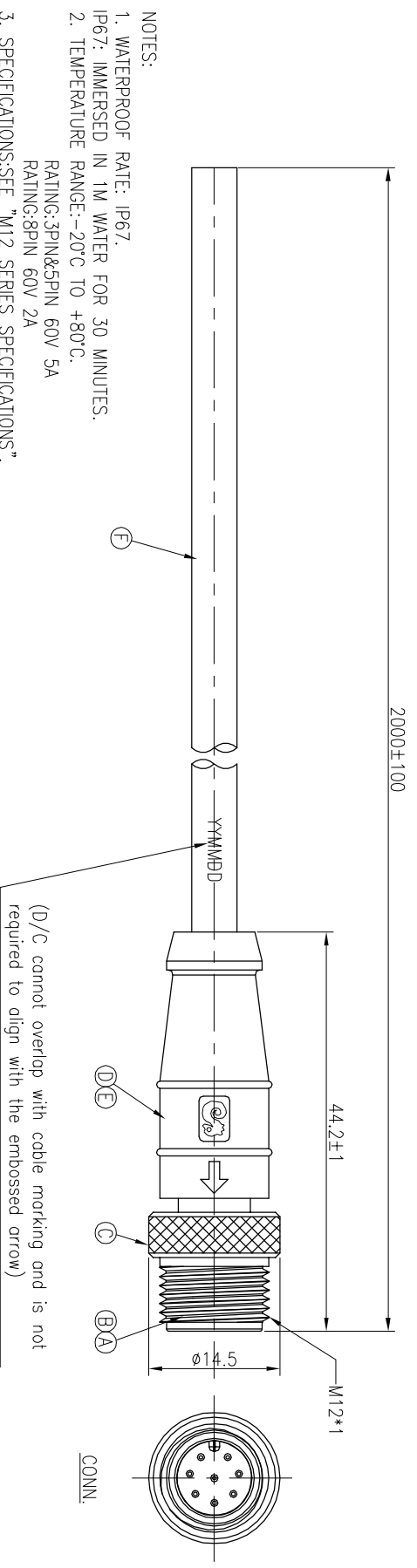


REV	ECN NO OR DESCRIPTION	REVISED	DATE
A	PDR NO.:S221212-3A~C	LEI	2023.07.20



- NOTES:
1. WATERPROOF RATE: IP67.
IP67: IMMERSED IN 1M WATER FOR 30 MINUTES.
 2. TEMPERATURE RANGE:-20°C TO +80°C.
 3. SPECIFICATIONS:SEE "M12 SERIES SPECIFICATIONS".
 4. TO CONFORM TO SINGAITRON HAZARDOUS SUBSTANCE FREE SPEC.
 5. GREEN PRODUCT IDENTIFICATION LABEL ON PACKAGING: **GREEN**
 6. DATE CODE:"YYMMDD"

DAY(01~31)
MONTH(01~12)
YEAR(01~99)

A	2MT3092 -W082A0H		UL2464 22AWG*3C+A, BLACK, OD:5.0mm IRE COLOR: 1.BROWN 3.BLUE 4.BLACK	5A 60V
B	2MT3092 -W053A0H		UL2464 22AWG*5C+A,L BLACK OD:5.5mm WIRE COLOR: 1.BROWN 2.WHITE 3.BLUE 4.BLACK 5.GREEN	5A 60V
C	2MT3092 -W033A0H		UL2464 22AWG*8C+A,L BLACK, OD:5.4mm WIRE COLOR: 1.BLACK 2.BROWN 3.GREEN 4.YELLOW 5.GRAY 6.WHITE 7.BLUE 8.RED	2A 60V

F	CABLE	1	SEE"CABLE SPEC" IN TABLE AT LOWER LEFT	BLACK
E	INNER MOLD	1	TPU	BLACK
D	OVER MOLD	1	TPU	BLACK
C	SCREW NUT	1	BRASS	NICKEL PLATING
B	MALE PIN	*	BRASS	GOLD PLATED OVER NICKEL PLATING
A	BODY	1	TPU	BLACK
NO	DESCRIPTION	QTY	MATERIAL	PLATING & COLOR

UNLESS OTHERWISE SPECIFIED TOLERANCES

DECIMALS: ANGLES:

X :±0.5 X :±2'
XX :±0.3 XX :±1'
X.XX :±0.2

PDR NO.	料號
S221212-3A	2MT3092-W033A0H
S221212-3B	2MT3092-W053A0H
S221212-3C	2MT3092-W082A0H

Suzhou Singatron Auto Electronics CO.,LTD.
蘇州信音汽車電子有限公司

TITLE M12 SERIES 180°(3&5&8)PIN MALE CONN.

DMN LEI PART NO.2MT3092-W0XXA0H

CHKD Jun SCALE 2:1 UNIT: mm

APVD Steve SIZE: A3 SHEET:1 OF 1 REV: A

CUSTOMER COPY