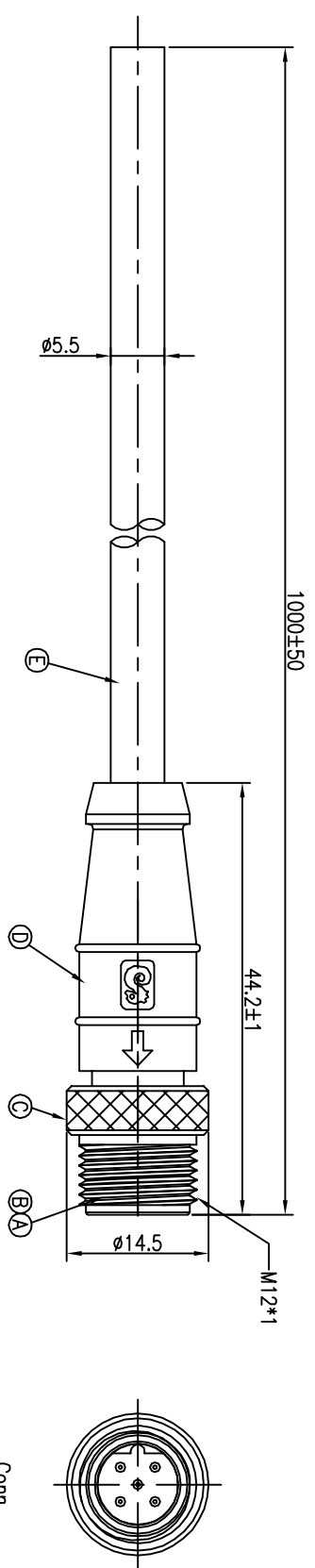
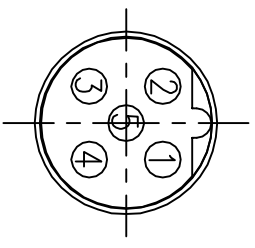


REV.	ECN NO OR DESCRIPTION	REVISED	DATE
A	PDR NO.:T160623-5B	JF	2017.01.11



GREEN	5
BLACK	4
BLUE	3
WHITE	2
BROWN	1
WIRE COLOR	CONN.
PIN OUT	



Pin Assignments
Front View

- NOTES:
1. WATERPROOF RATE: IP67
IP67: IMMERSED IN 1M WATER FOR 30 MINUTES
 2. CURRENT RATING: 5A
 3. SPECIFICATIONS:SEE "M12 SERIES SPECIFICATIONS".
 4. TO CONFORM TO THE SINGATRON HAZARDOUS SUBSTANCE FREE SPEC.
 5. GREEN PRODUCT IDENTIFICATION LABEL ON PACKAGING:

E	CABLE	1	UL2464 22AWG*5C+AL, 0D5.5 UV Resistant	BLACK(PVC JACKET)
D	OVER MOLD	1	TPU	BLACK
C	SCREW NUT	1	BRASS	NICKEL PLATING 100u"
B	MALE PIN	5	BRASS	1~3u" GOLD PLATING OVER NICKEL PLATING
A	BODY	1	TPU	BLACK
NO	DESCRIPTION	QTY	MATERIAL	PLATING & COLOR
UNLESS OTHERWISE SPECIFIED TOLERANCES				
Singatron Enterprise Co., Ltd. 				
TITLE M12 SERIES 180° 5 PIN MALE CONN.				
DECMALS:		ANGLES:		
X	:±0.5	X	:±2°	
X.X	:±0.3	X.X	:±1'	
X.XX	:±0.2			
CUSTOMER COPY				