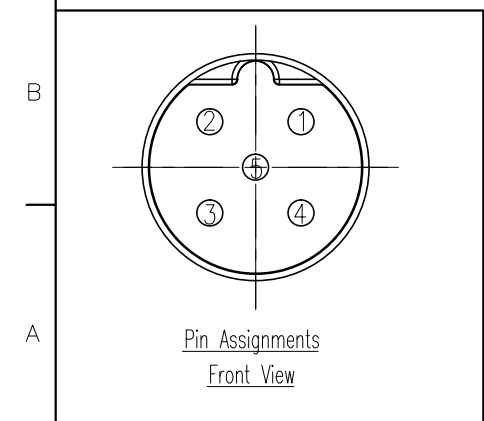
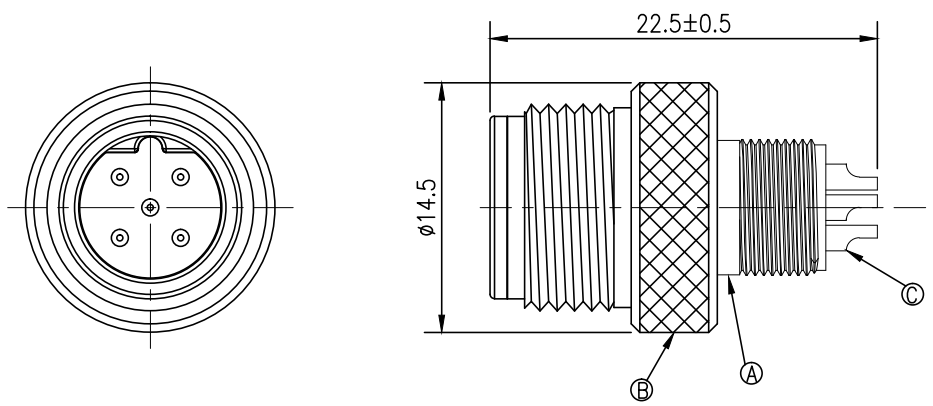


REV.	ECN NO OR DESCRIPTION	REVISED	DATE
A	PDR NO.:T191004-2A	JTT	2019.12.26



- NOTES:
1. WATERPROOF RATE: IP67(WHEN PROPERLY MATED).
  2. CURRENT RATING: 5A
  3. SPECIFICATIONS:SEE "M12 SERIES SPECIFICATIONS".
  4. TO CONFORM TO THE SINGATRON HAZARDOUS SUBSTANCE FREE SPEC.
  5. GREEN PRODUCT IDENTIFICATION LABEL ON PACKAGING: **G.P. PASS**

C	SCREW NUT	1	BRASS	NICKEL PLATING 100u"
B	MALE PIN	5	BRASS	1~3u" GOLD PLATING OVER NICKEL PLATING
A	BODY	1	TPU	BLACK
NO	DESCRIPTION	QTY	MATERIAL	PLATING & COLOR
UNLESS OTHERWISE SPECIFIED TOLERANCES		Singatron Enterprise Co., Ltd. 信音企業股份有限公司		
DECIMALS: ANGLES:		TITLE: M12 SERIES 180° 5 PIN MALE CONN.		
X	:±0.5	X	:±2°	DWN: JTT PART NO. 2MT3212-W05302H
X.X	:±0.3	X.X	:±1°	CHKD: Cerry SCALE 2:1 UNIT: mm
X.XX	:±0.2	APVD: William SIZE: A3 SHEET: 1 OF 1 REV: A		
<b>CUSTOMER COPY</b>				