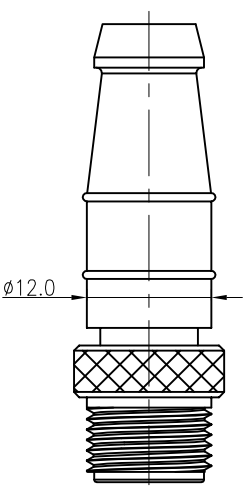
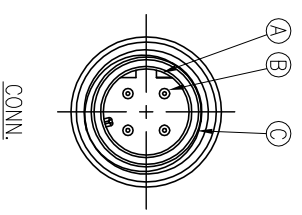
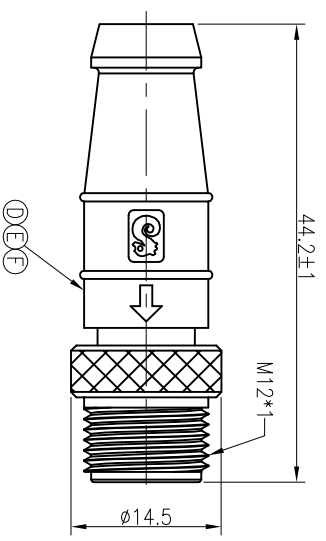
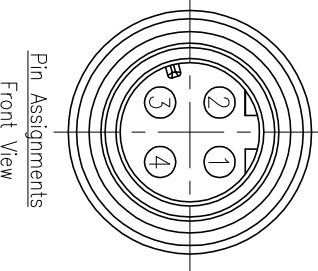


REV.	ECN NO.	OR DESCRIPTION	REVISED	DATE
A	PDR NO. T161027-1A	Yang		2017.04.13



Short	4
Short	3
Short	2
Short	1
WIRE COLOR	CONN.
PIN OUT	



- NOTES:
- MECHANICAL CHARACTERISTICS:
TIGHTENING TORQUES: 1.0~1.2Nm(8.85~10.62lbf.in.).
 - ENVIRONMENTAL:
3-1 OPERATING TEMPERATURE: -40°C TO +80°C.
3-2 SEALING REQUIREMENTS: IP67.
3-3 LIFE TEST: 500 CYCLES MIN.
 - OTHER GENERAL SPEC. TO REFER "M12 SERIES SPEC."
 - FOR TECHNICAL DATA REFER TO YOUR LOCAL SINGATRON ELECTRONICS SALES OFFICE.
 - ALL DIMENSIONS ARE NOMINAL FOR REFERENCE ONLY UNLESS OTHERWISE STATED.
 - TO CONFORM TO SINGATRON HAZARDOUS SUBSTANCE FREE SPEC.
 - GREEN PRODUCT IDENTIFICATION LABEL ON PACKAGING: **100% PASS**.

NO	DESCRIPTION	QTY	MATERIAL	PLATING & COLOR
E	INNER MOLD	1	TPU	NATURAL
D	OVER MOLD	1	TPU	BLACK
C	MALE SCREW NUT	1	BRASS	NICKEL PLATING 60u"
B	MALE PIN	4	BRASS	6u" GOLD PLATING OVER NICKEL PLATING
A	BODY	1	TPU	BLACK

UNLESS OTHERWISE SPECIFIED TOLERANCES

DECIMALS: ANGLES:

X :±0.5 X :±2°
X.X :±0.3 X.X :±1°
X.XX :±0.2

Singatron Enterprise Co., Ltd.
信亨企業股份有限公司

TITLE M12 SERIES D-CODE 180° 4PIN MALE CONN.
DWG Yang PART NO. 2MT3412-W04328H
CHKD Harlen SCALE 2:1 UNIT: mm
APVD Steve SIZE: A3 SHEET: 1 OF 1 REV: A

CUSTOMER COPY