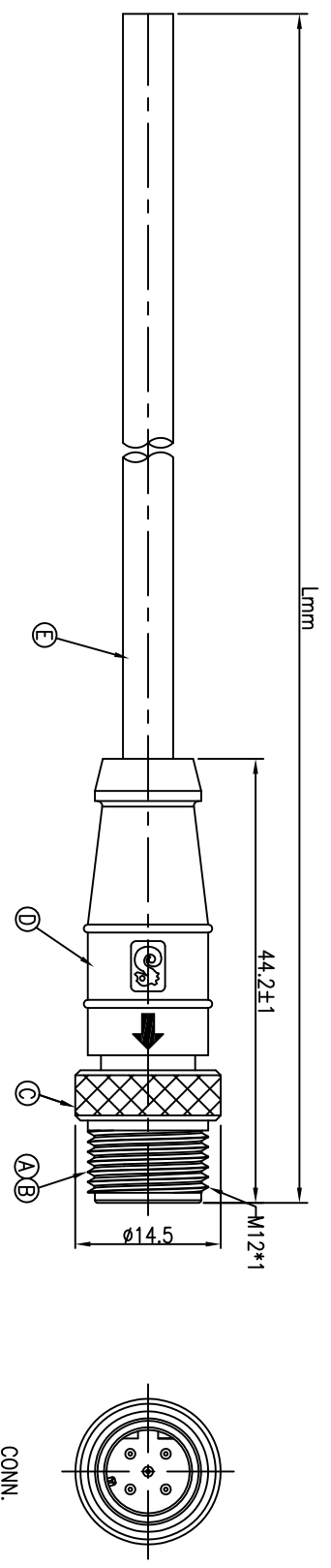


| REV. | ECN NO.                 | OR DESCRIPTION | REVISED | DATE       |
|------|-------------------------|----------------|---------|------------|
| A    | PDR NO.:T121015-12A~12C | Shown          |         | 2012.11.29 |



| P/N:                | Pin Assignments Front View | Cable Spec.   |
|---------------------|----------------------------|---|
| 2MT3412<br>-W03300H |                            | UL2464 22AWG*3C+A,<br>PVC Jacket, UV Resistant<br>OD=φ5.0, Wire Color: 1.Brown<br>3.Blue 4.Black                    |
| 2MT3412<br>-W04300H |                            | UL2464 22AWG*4C+A,<br>PVC Jacket, UV Resistant<br>OD=φ5.0, Wire Color: 1.Brown<br>2.White 3.Blue 4.Black            |
| 2MT3412<br>-W05300H |                            | UL2464 22AWG*5C+A,<br>PVC Jacket, UV Resistant<br>OD=φ5.5, Wire Color: 1.Brown<br>2.White 3.Blue 4.Black<br>5.Green |

- NOTES:
1. WATERPROOF RATE: IP67  
IP67: IMMersed IN 1M WATER FOR 30 MINUTES
  2. ELECTRICAL CHARACTERISTICS  
TEMPERATURE RANGE: -40°C TO +80°C  
RATING: 60V AC/DC 5A  
1M~99M±500mm.
  3. CABLE LENGTH TOLERANCE: 1M~10M±5%mm,  
11M~99M±500mm.
  4. SPECIFICATIONS:SEE "M12 SERIES SPECIFICATIONS".
  5. TO CONFORM TO SINGATRON HAZARDOUS SUBSTANCE FREE SPEC.
  6. GREEN PRODUCT IDENTIFICATION LABEL ON PACKAGING:
  7. ORDER INFORMATION:2MT3412-W0X300H

- 3- 3 PIN
- 4- 4 PIN
- 5- 5 PIN

| F  | CABLE       | 1   | SEE CABLE SPEC | BLACK(PVC JACKET)                       |
|----|-------------|-----|----------------|---|
| E  | OVER MOLD   | 1   | TPU            | BLACK                                   |
| C  | SCREW NUT   | 1   | BRASS          | NICKEL PLATING 60μ"                     |
| B  | MALE PIN    | *   | BRASS          | 6μ" GOLD PLATING<br>OVER NICKEL PLATING |
| A  | BODY        | 1   | TPU            | BLACK                                   |
| NO | DESCRIPTION | QTY | MATERIAL       | PLATING & COLOR                         |

UNLESS OTHERWISE SPECIFIED TOLERANCES

| DECIMALS:  | ANGLES:  |
|------------|----------|
| X :±0.5    | X :±2°   |
| X.X :±0.3  | X.X :±1° |
| X.XX :±0.2 |          |

Singatron Enterprise Co., Ltd.  
信亨企業股份有限公司

TITLE M12 SERIES 180°(3~5)PIN D-CODE MALE CONN.

| DWN  | Shown  | PART NO.2MT3412-W03300H | SCALE 2:1 | UNIT: mm     | REV: A |
|------|--------|-------------------------|-----------|--------------|--------|
| CHKD | Harlen |                         |           |              |        |
| APVD | Steve  |                         | SIZE: A3  | SHEET:1 OF 1 | REV: A |

CUSTOMER COPY