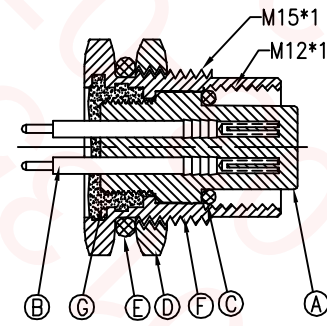
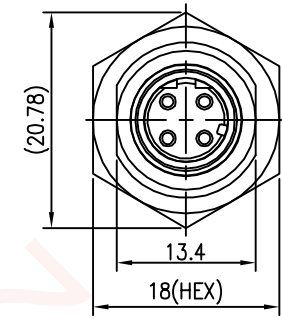
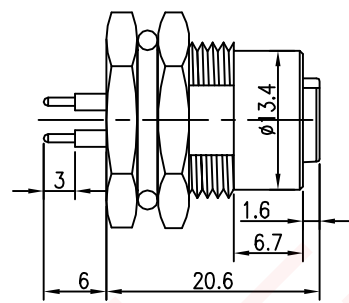
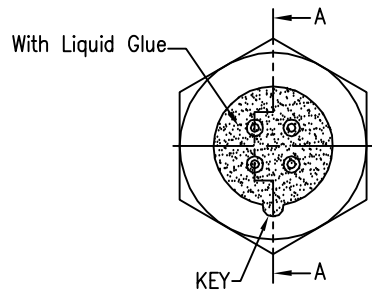


REV.	ECN NO OR DESCRIPTION	REVISED	DATE
A	PDR NO.:T130430-7H	JF	2015.04.28



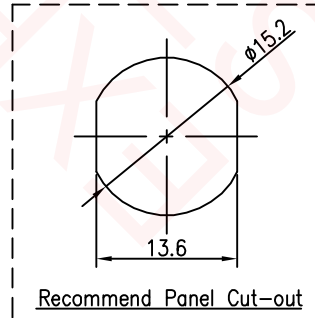
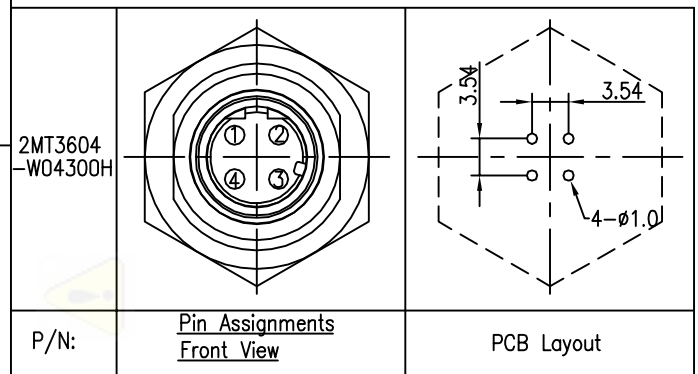
SECTION A-A

NOTES:

1. WATERPROOF RATE: IP68
IP68: IMMERSED IN 1M WATER FOR 24 HOURS
2. ELECTRICAL CHARACTERISTICS
TEMPERATURE RANGE: -40°C TO +100°C
RATING: 60V AC/DC 5A
DIELECTRIC WITHSTANDING VOLTAGE: 500V AC FOR ONE MINUTE
3. SPECIFICATIONS:SEE "M12 SERIES SPECIFICATIONS".
4. TO CONFORM TO SINGATRON HAZARDOUS SUBSTANCE FREE SPEC.
5. GREEN PRODUCT IDENTIFICATION LABEL ON PACKAGING: **G.P. PASS**
6. FOR PANEL THICKNESS MAX OF 4.0mm

G	LIQUID GLUE	1	N/A	BLACK
F	SHIELD	1	ZINC ALLOY	NICKEL PLATING 60u"
E	O-RING	1	EPDM	BLACK
D	NUT	1	ZINC ALLOY	NICKEL PLATING 60u"
C	O-RING	1	VITON	RED
B	FEMALE PIN	*	Phosphor Bronze	6u" GOLD PLATING OVER NICKEL PLATING
A	BODY	1	NYLON+33%GF	BLACK
NO	DESCRIPTION	QTY	MATERIAL	PLATING & COLOR

UNLESS OTHERWISE SPECIFIED TOLERANCES		Singatron Enterprise Co., Ltd. 信音企業股份有限公司	
DECIMALS: X :±0.5 X.X :±0.3 X.XX :±0.2		ANGLES: X :±2° X.X :±1°	
TITLE	M12 SERIES FRONT MOUNT FEMALE CONN. D-CODE HEXAGONAL BACKSHELL (4PIN) PCB TYPE		
DWN	JF	PART NO.2MT3604-W04300H	
CHKD	Yang	SCALE 2:1	UNIT: mm
APVD	Harlen	SIZE: A3	SHEET:1 OF 1
REV: A			
CUSTOMER COPY			



2MT3604-W04300H

P/N:

Pin Assignments Front View

PCB Layout

Recommend Panel Cut-out