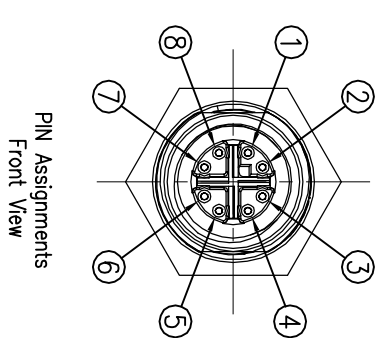
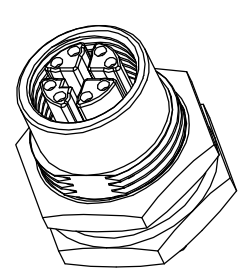
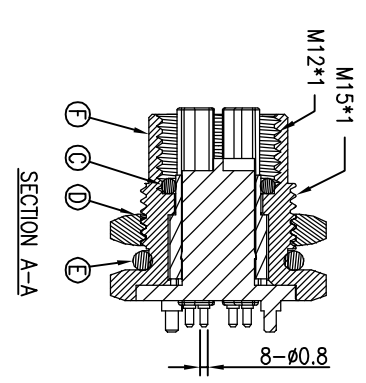


Recommend Panel Cut-Out



PIN Assignments
Front View



- NOTES:
1. WATERPROOF RATE: IP67
IP67: IMMERSED IN 1M WATER FOR 0.5 HOURS
 2. ELECTRICAL CHARACTERISTICS
MAX VOLTAGE: 48V AC/DC
MAX CURRENT: 0.5A
CONTACT RESISTANCE: <5m Ohm
INSULATION WITHSTAND: >100M Ohm
TEMPERATURE RANGE: -40°C TO +85°C
TRANSMISSION CHARACTERISTICS: CAT6A
 3. SPECIFICATIONS: IEC 61076-2-109:2014
 4. TO CONFORM TO SINGATRON HAZARDOUS SUBSTANCE FREE SPEC.
 5. GREEN PRODUCT IDENTIFICATION LABEL ON PACKAGING:
 6. FOR PANEL THICKNESS MAX OF 3.5mm

REV	ECN NO	OR DESCRIPTION	REVISED	DATE
A	PDR NO.:T160617-2A		Harden	2016/07/22

G	SHIELDING GROSS	1	ZINC ALLOY	NICKEL PLATING
F	HOUSING	1	BRASS	NICKEL PLATING
E	O-RING	1	EPDM	BLACK
D	NUT	1	BRASS	NICKEL PLATING
C	O-RING	1	SILICONE	RED
B	FEMALE PIN	8	Phosphor Bronze	30µ" GOLD PLATED OVER NICKEL PLATING
A	BODY	1	NYLON+GF	BLACK
NO	DESCRIPTION		MATERIAL	PLATING & COLOR
UNLESS OTHERWISE SPECIFIED TOLERANCES				
Singatron Enterprise Co., Ltd. 信營企業股份有限公司				
TITLE M12 SERIES FRONT MOUNT FEMALE CONN.(8PIN) HEXAGONAL BACKSHELL(X-CODED)				
DWN	Harden	PART NO.2MT3704-W08200H	SCALE 2:1	UNIT: mm
CHKD	JF		SIZE: A3	SHEET: 1 OF 1
APVD	Steve			REV: A

CUSTOMER COPY