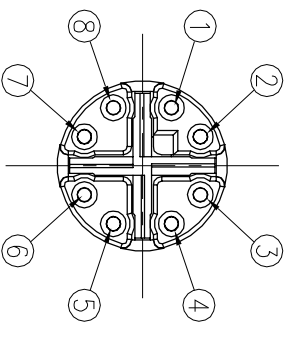
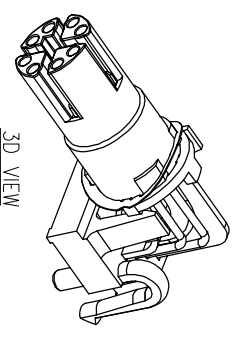
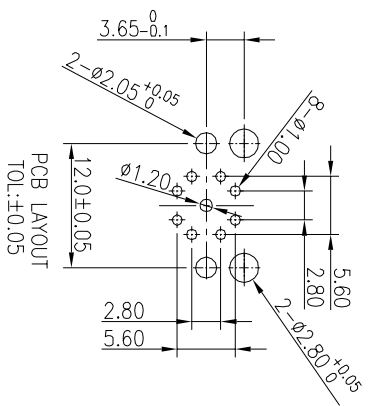
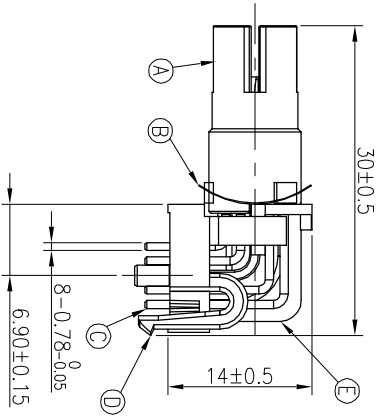
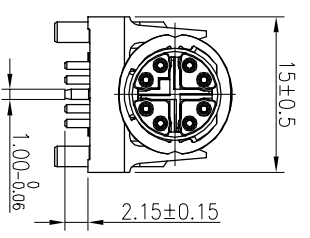


REV	ECN NO	OR DESCRIPTION	REVISED	DATE
A	PDR NO.:T1190424-3A	JF		2020.01.20



PIN Assignments
Front View

- NOTES:
- ELECTRICAL CHARACTERISTICS
Max. VOLTAGE: 48V AC/DC
Max. CURRENT: 0.5A
CONTACT RESISTANCE: <5m Ohm
INSULATION WITHSTAND: >100M Ohm
TEMPERATURE RANGE: -40°C TO +85°C
TRANSMISSION CHARACTERISTICS: CAT6A
 - SPECIFICATIONS: IEC 61076-2-109:2014
 - TO CONFORM TO SINGATRON HAZARDOUS SUBSTANCE FREE SPEC.
 - GREEN PRODUCT IDENTIFICATION LABEL ON PACKAGING:

E	SHIELDING GROSS COVER	1	ZINC ALLOY PA66+GF	NICKEL PLATING BLACK
C	FEMALE PIN	8	Phosphor Bronze	30u" GOLD PLATED OVER NICKEL PLATING
B	SPRING WASHER	1	SUS	N/A
A	BODY	1	PA66+GF	BLACK
NO	DESCRIPTION	QTY	MATERIAL	PLATING & COLOR
UNLESS OTHERWISE SPECIFIED TOLERANCES				
Singatron Enterprise Co., Ltd. 信亨企業股份有限公司				
TITLE M12 SERIES FRONT MOUNT FEMALE CONN.(8PIN)				
RIGHT ANGLE (X-CODE)				
DWN	JF	PART NO.2MT3754-W08201H	SCALE 2:1	UNIT: mm
CHKD	Cery		SIZE: A3	SHEET: 1 OF 1
APVD	William			REV: A
CUSTOMER COPY				

