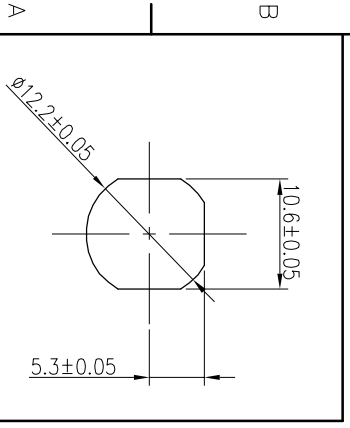
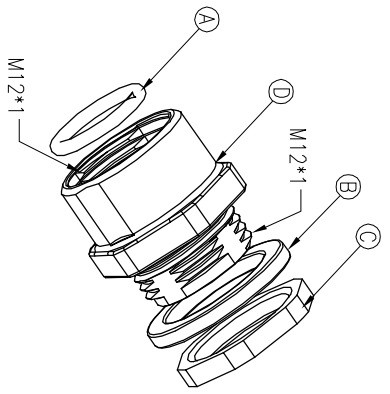
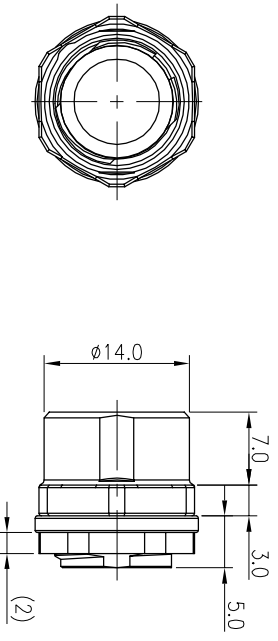


REV	EGN NO	OR DESCRIPTION	REVISED	DATE
A	PDR NO.:	T1190424-3B	JF	2020.01.20



Recommend Panel Cut-Out

- NOTES:
1. TO CONFORM TO SINGATRON HAZARDOUS SUBSTANCE FREE SPEC.
 2. GREEN PRODUCT IDENTIFICATION LABEL ON PACKAGING:
 3. FOR PANEL THICKNESS Max. OF 1.5mm

D	SHIELD	1	ZINC ALLOY	NICKEL PLATING 60μ"
C	NUT	1	ZINC ALLOY	NICKEL PLATING 60μ"
B	GASKET	1	EPDM	BLACK
A	O-RING	1	SILICONE	RED
NO	DESCRIPTION	QTY	MATERIAL	PLATING & COLOR

UNLESS OTHERWISE SPECIFIED TOLERANCES

DECIMALS:		ANGLES:	
X	:±0.5	X	:±2°
X.X	:±0.3	X.X	:±1'
X.XX	:±0.2		

Singatron Enterprise Co., Ltd. 信晉企業股份有限公司			
TITLE: HEXAGONAL BACKSHELL FOR M12 RIGHT ANGLE (X-CODE) CONN.			
DWN	Jf	PART NO.:	2MT3754-W08202H
CHKD	Cery	SCALE:	2:1
APVD	William	SIZE:	A3
		SHEET:	1 OF 1
		REV:	A

CUSTOMER COPY