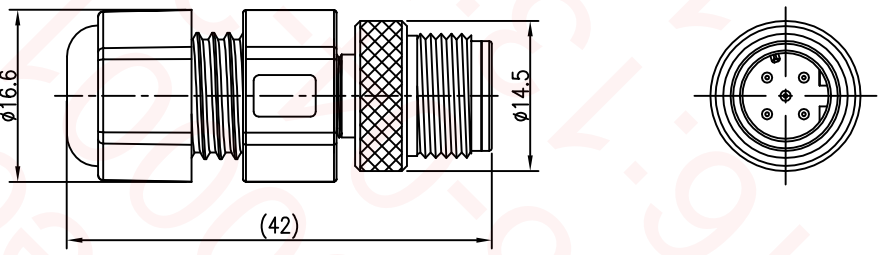
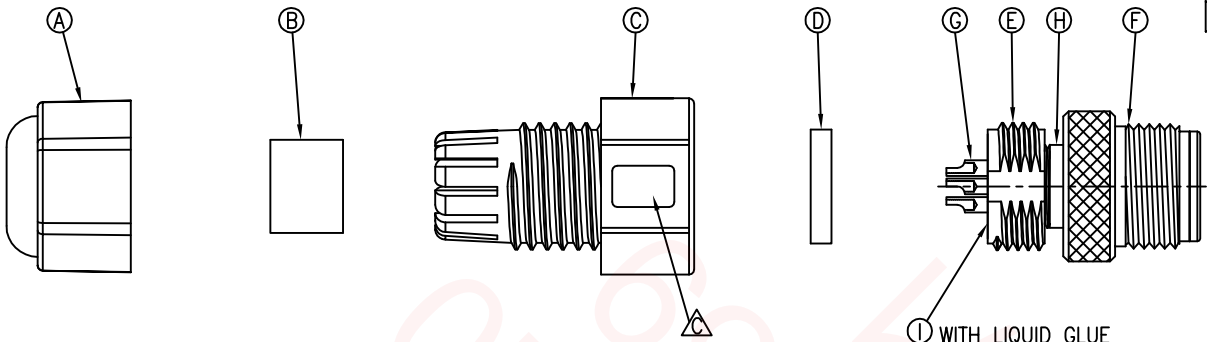


REV.	ECN NO OR DESCRIPTION	REVISED	DATE
A	ECN NO.:S121026	Shawn	2012.10.23
B	ECN NO.S130725	YF	2014.08.13
C	ECN NO.:S141261	LIN	2015.04.07



2MT3D33-W03300H		5A	22AWG~24AWG *3C
2MT3D33-W04300H		5A	22AWG~24AWG *4C
2MT3D33-W05300H		5A	22AWG~24AWG *5C
P/N:	Pin Assignments Front View	Current Rating	Recommended Cable AWG

- NOTES:
1. WATERPROOF RATE: IP68
IP68: IMMERSED IN 1M WATER FOR 24 HOURS
 2. SEAL FOR CABLE OD:ø4.0mm~ø6.5mm
 3. SPECIFICATIONS:SEE "M12 SERIES SPECIFICATIONS".
 4. TO CONFORM TO SINGATRON HAZARDOUS SUBSTANCE FREE SPEC.
 5. GREEN PRODUCT IDENTIFICATION LABEL ON PACKAGING:
 6. ORDER INFORMATION: 2MT3D33-WOX300H

- 03- 3 PIN
- 04- 4 PIN
- 05- 5 PIN

NO	DESCRIPTION	QTY	MATERIAL	PLATING & COLOR
I	LIQUID GLUE	1	N/A	BLACK
H	BODY	1	NYLON+33%GF	BLACK
G	MALE PIN	*	BRASS	6u" GOLD PLATING OVER NICKEL PLATING
F	SCREW NUT	1	BRASS	NICKEL PLATING 100uin
E	SCREW NUT	1	NYLON+33%GF	BLACK
D	GASKET	1	SILICONE	BLACK
C	CLAMP RING	1	PC	BLACK
B	SEAL	1	EPDM	BLACK
A	SEALING NUT	1	PC	BLACK
NO	DESCRIPTION	QTY	MATERIAL	PLATING & COLOR
UNLESS OTHERWISE SPECIFIED TOLERANCES			Singatron Enterprise Co., Ltd. 	
DECIMALS:		TITL M12 SERIES (IP68) MALE CONN		
ANGLES:		MALE (3~5) PIN D-CODE ASSEMBLY TYPE		
X	:±0.5	X	:±2°	DWN LIN PART NO. 2MT3D33-W03300H
X.X	:±0.3	X.X	:±1°	CHKD Yang SCALE 2:1 UNIT: mm
X.XX	:±0.2	APVD Harlen SIZE: A3 SHEET: 1 OF 1 REV: C		
CUSTOMER COPY				