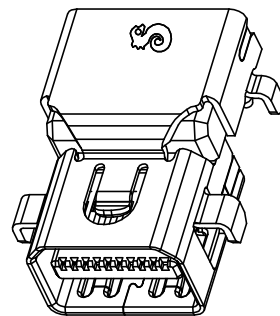
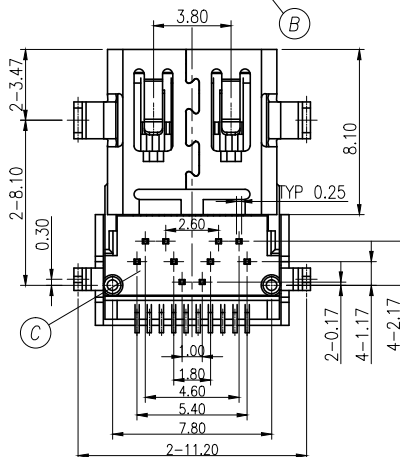
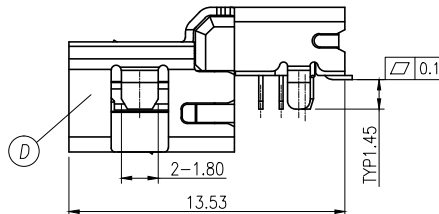
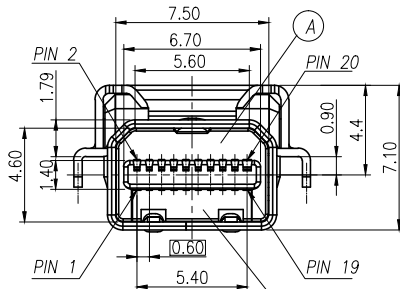


RECOMMEND P.C.B LAYOUT (TOP VIEW)
 SOLDER PAD (TOL: X.XX ±0.05)

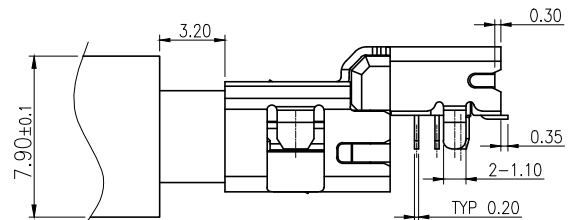


REV.	ECN NO OR DESCRIPTION	REVISED	DATE
A	PDR NO:S120912-1A	ROBIN	2013.08.26

SPECIFICATIONS:

- ELECTRICAL CHARACTERISTICS:
 - CONTACT RESISTANCE CHANGE FROM INITIAL VALUE: 100mΩ MAX.
 - CONTACT CURRENT RATING: PIN 1,19,20 : 0.5A Min. OTHER PINS : 0.5A Min.
 - DIELECTRIC WITHSTANDING VOLTAGE: UNMATED CONNECTORS: 500Vrms
MATED CONNECTORS: 300Vrms
 - INSULATION RESISTANCE: UNMATED CONNECTORS: 100MΩ Min. (Apply 500V DC)
MATED CONNECTORS: 10MΩ Min. (Apply 150V DC)
- MECHANICAL CHARACTERISTICS:
 - INSERTION FORCE: 3.0Kgf Max.
 - WITHDRAWAL FORCE: 1.0-4.0Kgf.
- LIFE TEST: 10,000 CYCLES.
- OTHER GENERAL SPEC. TO REFER "2MY3007-000111F SPEC".
- TO CONFORM TO SINGATRON HAZARDOUS SUBSTANCE FREE SPEC.
- HALOGEN FREE PRODUCT IDENTIFICATION MARK ON JACK:
- HALOGEN FREE PRODUCT IDENTIFICATION LABEL ON PACKAGING:
- FOR REFLOW SOLDERING LEAD-FREE PROCESS.
- PRINTED DATE CODE "YYMMDD-" ON TOP OF CONNECTOR.

YYMMDD- " ON TOP OF CONNECTOR.
 DD: DAY
 MM: MONTH
 YY: YEAR



MATING DRAWING

NO	DESCRIPTION	QTY	MATERIAL	PLATING & COLOR
D	SHELL	1	STAINLESS STEEL 0.40T	BLACK Ni 60u"
C	COVER	1	HIGH TEMP.THERMOPLASTIC UL 94V-0	BLACK
B	INS_BOTTOM	1	Body: HIGH TEMP.THERMOPLASTIC UL 94V-0	BLACK
		10	COPPER ALLOY 0.20T	Au5u"on Contact Area.MATT TIN 100u"Min On Solder Tail.All Over Ni 40-100u".
A	INS_UP	1	Body: HIGH TEMP.THERMOPLASTIC UL 94V-0	BLACK
		10	COPPER ALLOY 0.20T	Au5u"on Contact Area.MATT TIN 100u"Min On Solder Tail.All Over Ni 40-100u".

UNLESS OTHERWISE SPECIFIED TOLERANCES

DECIMALS: ANGLES:
 X :±0.50 X :±2°
 X.X :±0.30 X.X :±1°
 X.XX :±0.20

Singatron Enterprise Co., Ltd.
 信音企業股份有限公司

TITLE	THUNDER BOLT		
DWN	ROBIN	PART NO.2MY3007-000111F	
CHKD	BRUCE	SCALE 1:1	UNIT: mm
APVD	LUSSEN	SIZE: A3	SHEET:1 OF 1
REV: A			

CUSTOMER COPY