

How to mate and unmate  
Mate: ① - ② - ③  
Unmate: ④

Notes:

- Materials
  - Housing: LCP+30% GF,UL94 V-0(E471i);
  - Contact: C5210-SH T=0.15mm, Gold Plating at mating area(See P/N), 100u" Min. Matte Tin plating at solder tail, all over Nickel(50u" Min.);
  - LEG: C2680-EH T0.20mm, 100u" Min. Matte Tin plating over all, all over nickel(50u" Min.).
- RoHS 2.0 and HF compliant;
- Ratings
  - Voltage Rating: 50V AC (Per pin);
  - Current Rating: 0.5A (Per pin);
  - Operating Temperature: -40°C ~ 80°C;
- Electrical Requirement:
  - LLCR: 55mΩ Max.(Initial), 20mΩ Max. change allowed(Final);
  - Dielectric Withstanding Voltage: 300V AC (RMS) for 1 minute;
  - Insulation Resistance: 500MΩ Min. @ 500V DC;
- Mechanical Requirement:
  - Mating Force: 20N Max.;
  - Unmating Force: 20N Max.;
  - Durability: 60 Cycles;
  - Vibration: No electrical discontinuity greater than 1u sec shall occur;
  - Mechanical Shock: 285G half sine / 6 axis, No electrical discontinuity greater than 1u sec shall occur;
- Resistance to heat: the temperature shall be 260±5°C 10±1 seconds.

7. How to order:

2NF-HN17-101-E 0 \*\*

NGFF 6.4H,STD E key  
Housing Color:  
0. Black  
1. White

Contact plating code:

- Mating area G/F, Solder tail Matte Tin;
- Mating area Au 3u", Solder tail Matte Tin;
- Mating area Au 5u", Solder tail Matte Tin;
- Mating area Au 10u", Solder tail Matte Tin;
- Mating area Au 15u", Solder tail Matte Tin;
- Mating area Au 30u", Solder tail Matte Tin;

④	LEG
③	Upper Contact
②	Lower Contact
①	HOUSING
Item	Part Description

Singatron Enterprise Co., Ltd.

TITLE	NGFF Socket (M.2 Connector)6.4H, STD E key		
DWN	Kysin.Qin	PART NO.	2NF-HN17-101-E***
CHKD	10/21/2014	SCALE 1:1	UNIT: mm
APVD		SIZE: A3	SHEET 1 OF 3

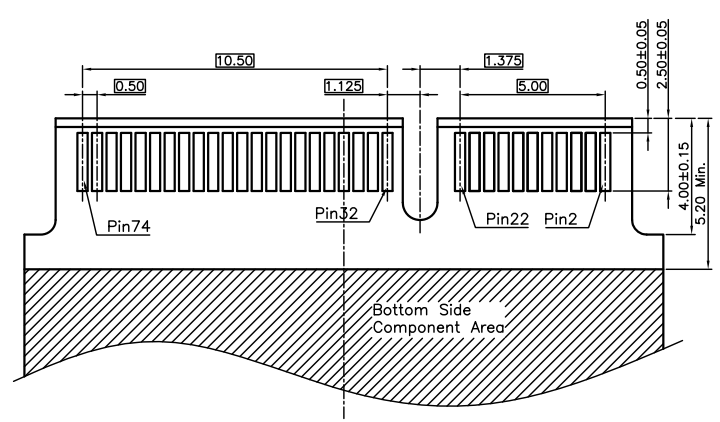
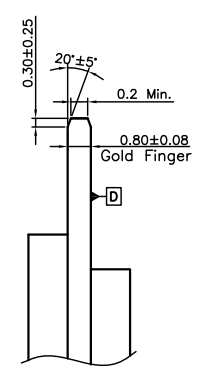
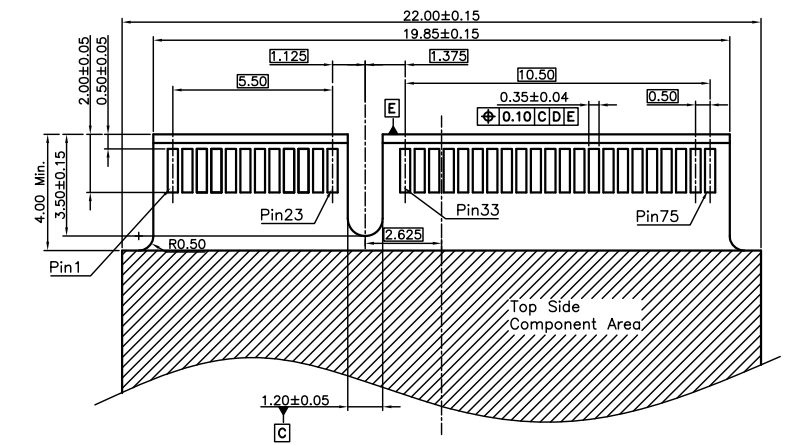
CUSTOMER COPY

GENERAL TOLERANCES (UNLESS SPECIFIED)

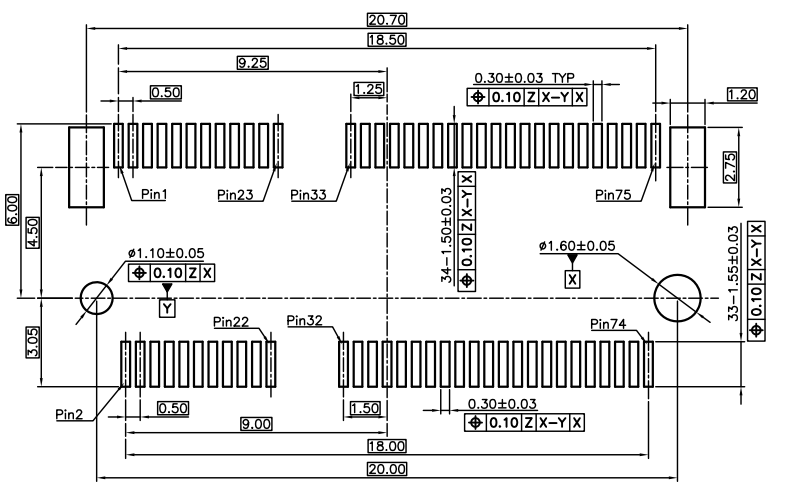
X.	± 0.30	X'	± 1'
.X	± 0.20	.X'	± 0.5'
.XX	± 0.10		
.XXX	± 0.05		

1 2 3 4 5 6 7 8

F  
E  
D  
C  
B  
A



Recommended Mould Finger Layout  
Default Tolerance ±0.05



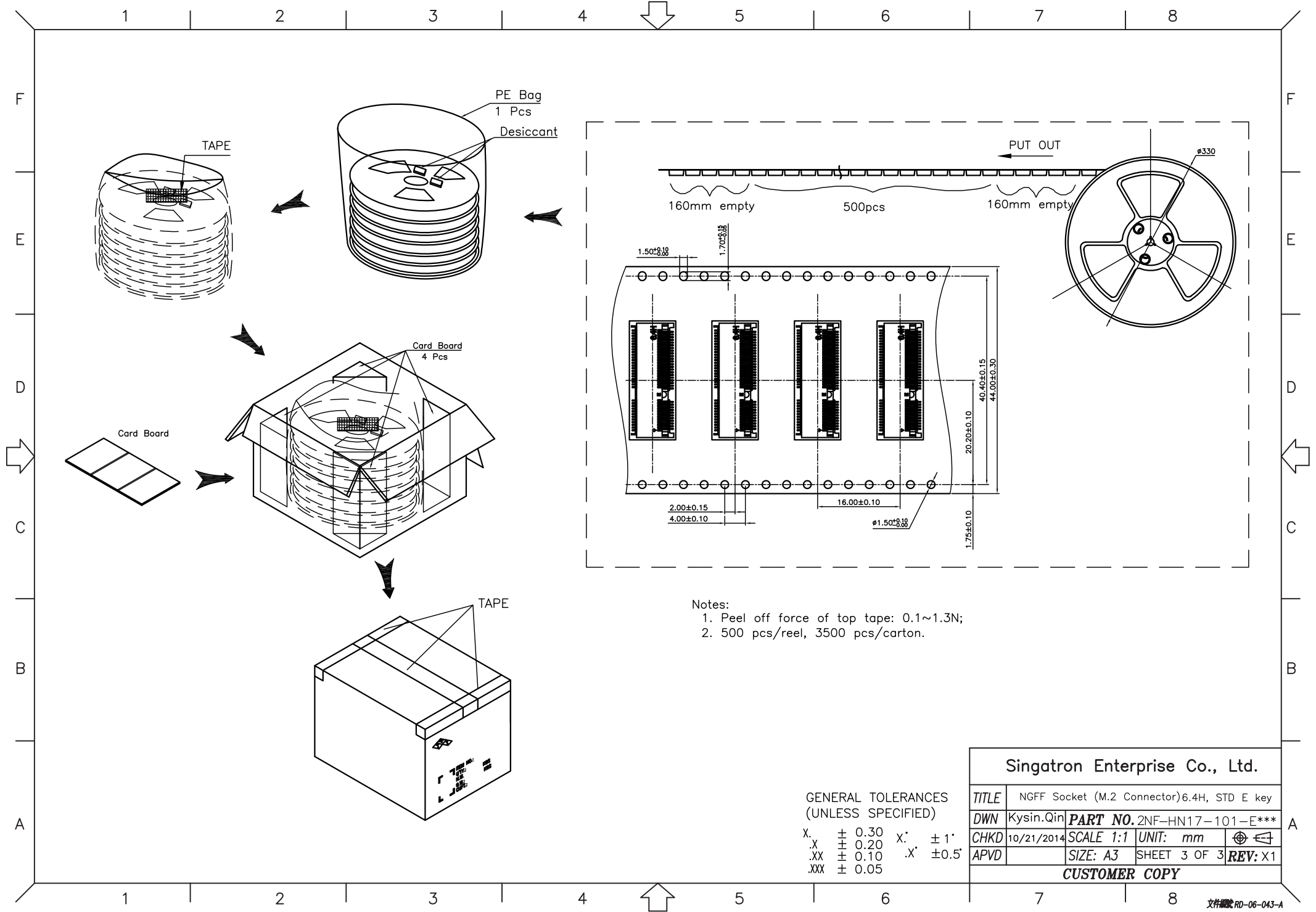
Recommended PCB Layout (Top View)  
Default Tolerance ±0.05

GENERAL TOLERANCES  
(UNLESS SPECIFIED)

X.	± 0.30	X'	± 1'
.X	± 0.20		
.XX	± 0.10	X'	± 0.5'
.XXX	± 0.05		

Singatron Enterprise Co., Ltd.			
TITLE	NGFF Socket (M.2 Connector)6.4H, STD E key		
DWN	Kysin.Qin	PART NO.	2NF-HN17-101-E***
CHKD	10/21/2014	SCALE 1:1	UNIT: mm
APVD		SIZE: A3	SHEET 2 OF 3
		REV: X1	
CUSTOMER COPY			

1 2 3 4 5 6 7 8



- Notes:
1. Peel off force of top tape: 0.1~1.3N;
  2. 500 pcs/reel, 3500 pcs/carton.

GENERAL TOLERANCES  
(UNLESS SPECIFIED)

X.	± 0.30	X'	± 1'
.X	± 0.20	.X'	± 0.5'
.XX	± 0.10		
.XXX	± 0.05		

<b>Singatron Enterprise Co., Ltd.</b>				
<b>TITLE</b>	NGFF Socket (M.2 Connector) 6.4H, STD E key			
<b>DWN</b>	Kysin.Qin	<b>PART NO.</b>	2NF-HN17-101-E***	
<b>CHKD</b>	10/21/2014	<b>SCALE</b>	1:1	<b>UNIT:</b> mm
<b>APVD</b>		<b>SIZE:</b>	A3	<b>SHEET</b> 3 OF 3
		<b>REV:</b>	X1	
<b>CUSTOMER COPY</b>				