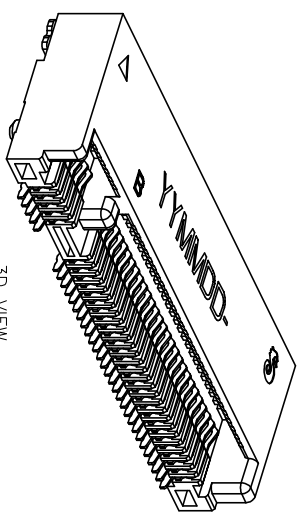
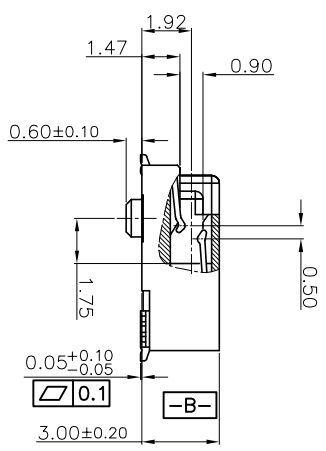
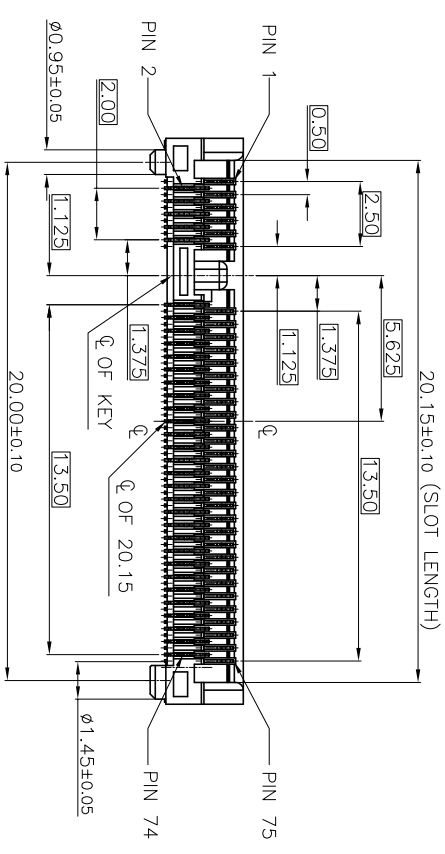
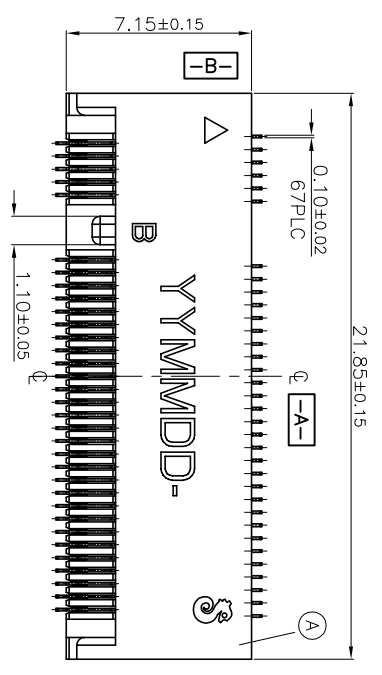
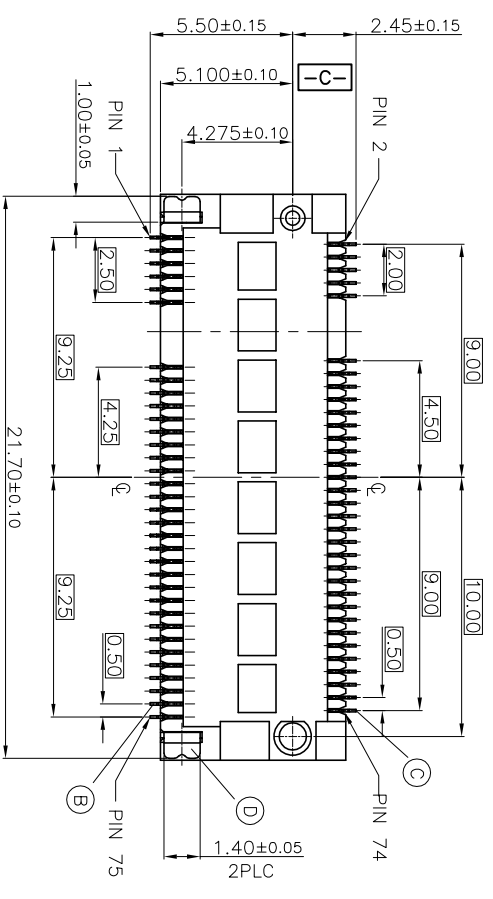


REV.	EGN NO	OR DESCRIPTION	REVISED	DATE
A	PDR NO: T131216-1A		Dak	2014.05.16

- SPECIFICATIONS:
1. ELECTRICAL CHARACTERISTICS:
- 1-1. CURRENT : 0.5A PER PIN.
 - 1-2. LCCR: INITIAL: 55 mΩ MAX;
FINAL: ΔLCCR=20 mΩ MAX;
2. MECHANICAL CHARACTERISTICS:
- 2-1. TERMINAL'S RETENSION FORCE TO BE 0.2KG/PIN MIN.
3. DURABILITY: 25 CYCLES.
4. IR REFLOW:
THE TEMPERATURE SHALL BE 260±5°C MAINTAINING 10±1 SECONDS.
5. TO CONFORM TO SINGATRON HAZARDOUS SUBSTANCE FREE SPEC.
6. HALOGEN PRODUCT IDENTIFICATION MARK ON JACK: Ⓢ
7. HALOGEN PRODUCT IDENTIFICATION LABEL ON PACKAGING: Ⓢ
8. DATE : YYMMDD-
9. PACKAGING : TAPE & REEL



3D VIEW



D	PAD	2	BARSS,T=0.20	MELT: 5μ 100μm PLATED ON ALL AREAS; ALL OVER 50μm NICKEL PLATING.
C	D-TERMINAL	33	COPPER ALLOY, T=0.10	GOLD FLASH PLATED ON MATING AREA GOLD FLASH PLATED ON SOLDERING ALL OVER 50μm NICKEL PLATING.
B	U-TERMINAL	34	COPPER ALLOY, T=0.10	
A	BODY	1	HIGH TEMP.THERMOPLASTIC	BLACK
NO	DESCRIPTION	QTY	MATERIAL	PLATING & COLOR

UNLESS OTHERWISE SPECIFIED TOLERANCES

DECIMALS:	ANGLES:
X :±0.5	X :±2°
X.X :±0.3	X.X :±1°
X.XX :±0.2	

TITLE: NGFF MINI Pci CONNECTOR H=3.0mm(KEY B)

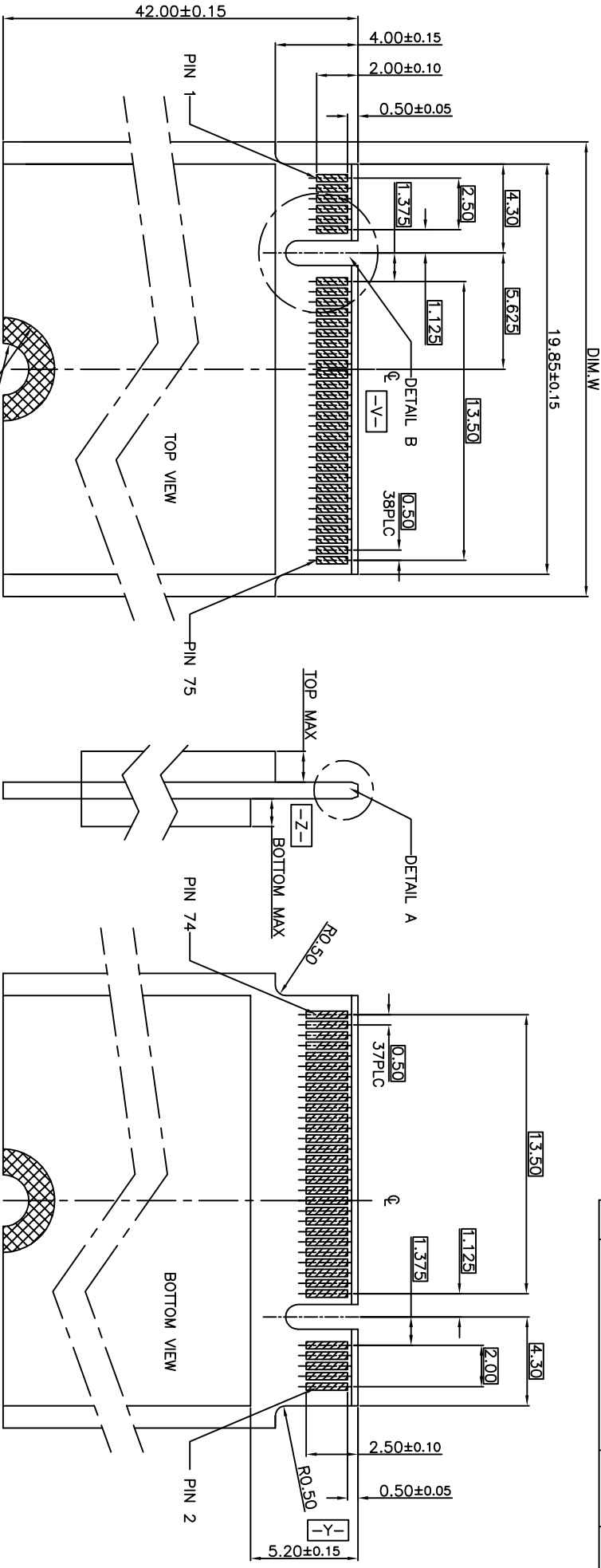
DWM DAK PART NO: 2NPF3001-100111F SCALE:4:1 UNIT: mm

APVD BOYE SIZE: A3 SHEET: 1 OF 4 REV: A

Singatron Enterprise Co., Ltd.
信亨企業股份有限公司

CUSTOMER COPY

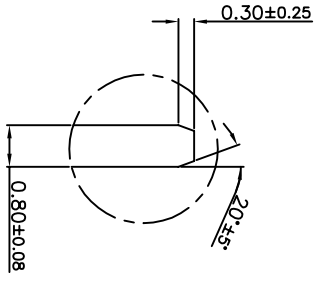
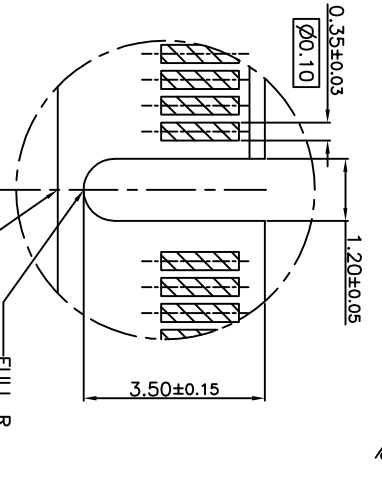
REV	ECN NO OR DESCRIPTION	REVISED	DATE
A	PDR NO: T131216-1A	Dak	2014.06.04



Width(mm)	22
DIM.W	30

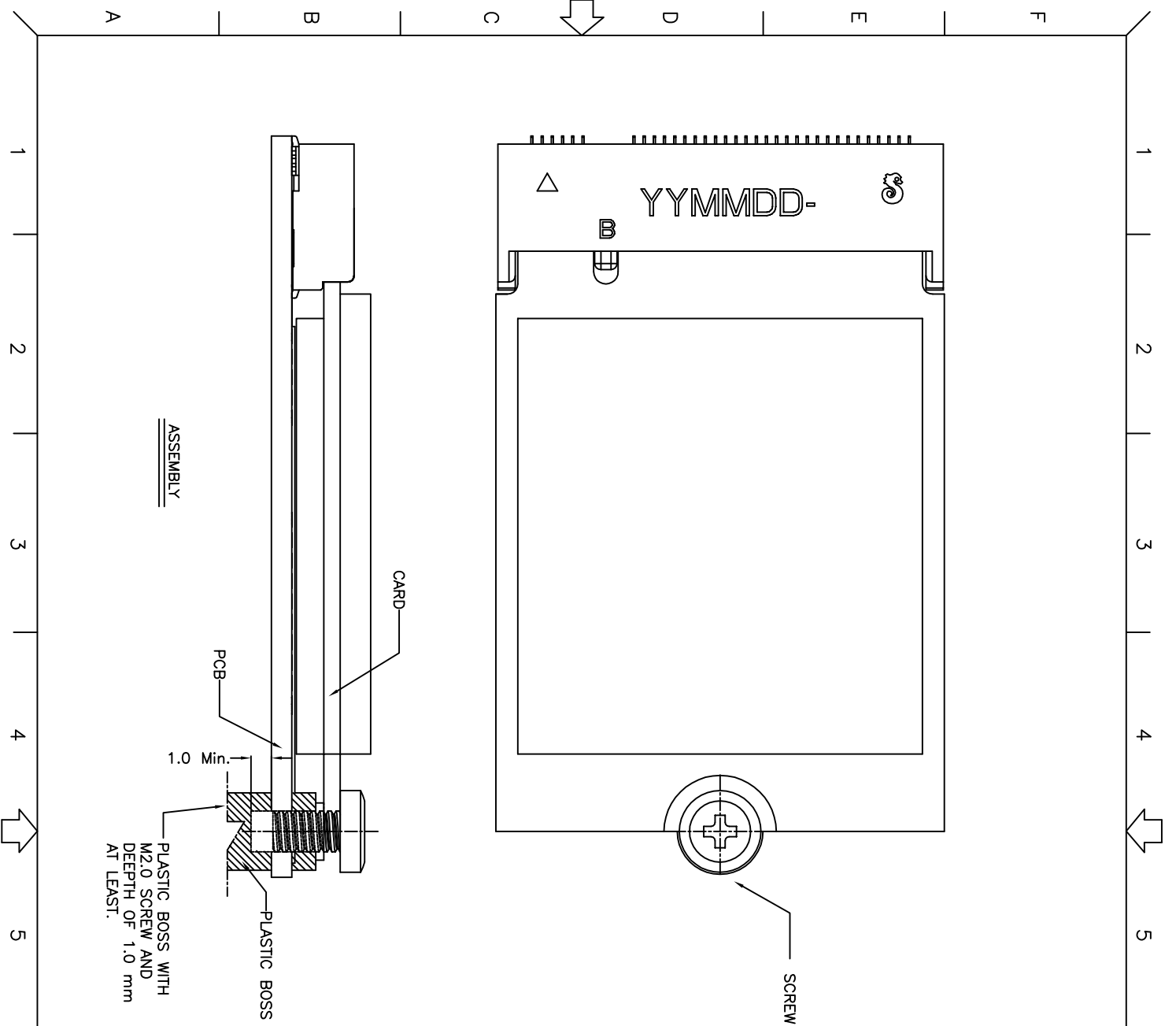
Length(mm)	30
DIM.L	42
	60
	80
	110

	Component MAX H	
	Top MAX	Bottom MAX
D1	1.20	1.35
D2	1.35	1.35
D3	1.5	1.35
D4	1.5	1.0



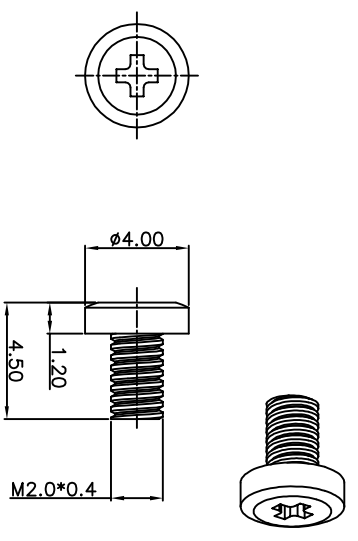
NO	DESCRIPTION	QTY	MATERIAL	PLATING & COLOR
	UNLESS OTHERWISE SPECIFIED TOLERANCES			
	DECIMALS:		ANGLES:	
X	:±0.5	X	:±2°	
X.X	:±0.3	X.X	:±1°	
X.XX	:±0.2			
	TITLE		Singapore Enterprise Co., Ltd. 信晉企業股份有限公司 NEFF MINI PCI CONNECTOR H=3.0mm(KEY B)	
DWN	Dak		PART NO: 2NFS001-100111F	
CHKD			SCALE:4:1	UNIT: mm
APVD	BOYE		SIZE: A3	SHEET:3 OF 4
			REV: A	

CUSTOMER COPY



REV.	EGN NO	OR DESCRIPTION	REVISED	DATE
A		PDR NO: T131216-1A	Dak	2014.06.04

TITLE	SCREW
MATERIAL	STAINLESS STEEL(SUS304)



NO	DESCRIPTION	QTY	MATERIAL	PLATING & COLOR																				
UNLESS OTHERWISE SPECIFIED TOLERANCES																								
DECIMALS:	ANGLES:																							
X :±0.5	X :±2°																							
X.X :±0.3	X.X :±1°																							
X.XX :±0.2																								
<table border="1"> <tr> <td>TITLE</td> <td colspan="4">Singapore Enterprise Co., Ltd. 信管企業股份有限公司</td> </tr> <tr> <td>DWN</td> <td>Dak</td> <td>PART NO: 2NFS001-100111F</td> <td colspan="2">NGFF MINI PCI CONNECTOR H=3.0mm(KEY B)</td> </tr> <tr> <td>CHKD</td> <td></td> <td>SCALE:4:1</td> <td>UNIT: mm</td> <td>REV: A</td> </tr> <tr> <td>APVD</td> <td>BOYE</td> <td>SIZE: A3</td> <td>SHEET: 4 OF 4</td> <td>REV: A</td> </tr> </table>					TITLE	Singapore Enterprise Co., Ltd. 信管企業股份有限公司				DWN	Dak	PART NO: 2NFS001-100111F	NGFF MINI PCI CONNECTOR H=3.0mm(KEY B)		CHKD		SCALE:4:1	UNIT: mm	REV: A	APVD	BOYE	SIZE: A3	SHEET: 4 OF 4	REV: A
TITLE	Singapore Enterprise Co., Ltd. 信管企業股份有限公司																							
DWN	Dak	PART NO: 2NFS001-100111F	NGFF MINI PCI CONNECTOR H=3.0mm(KEY B)																					
CHKD		SCALE:4:1	UNIT: mm	REV: A																				
APVD	BOYE	SIZE: A3	SHEET: 4 OF 4	REV: A																				

ASSEMBLY