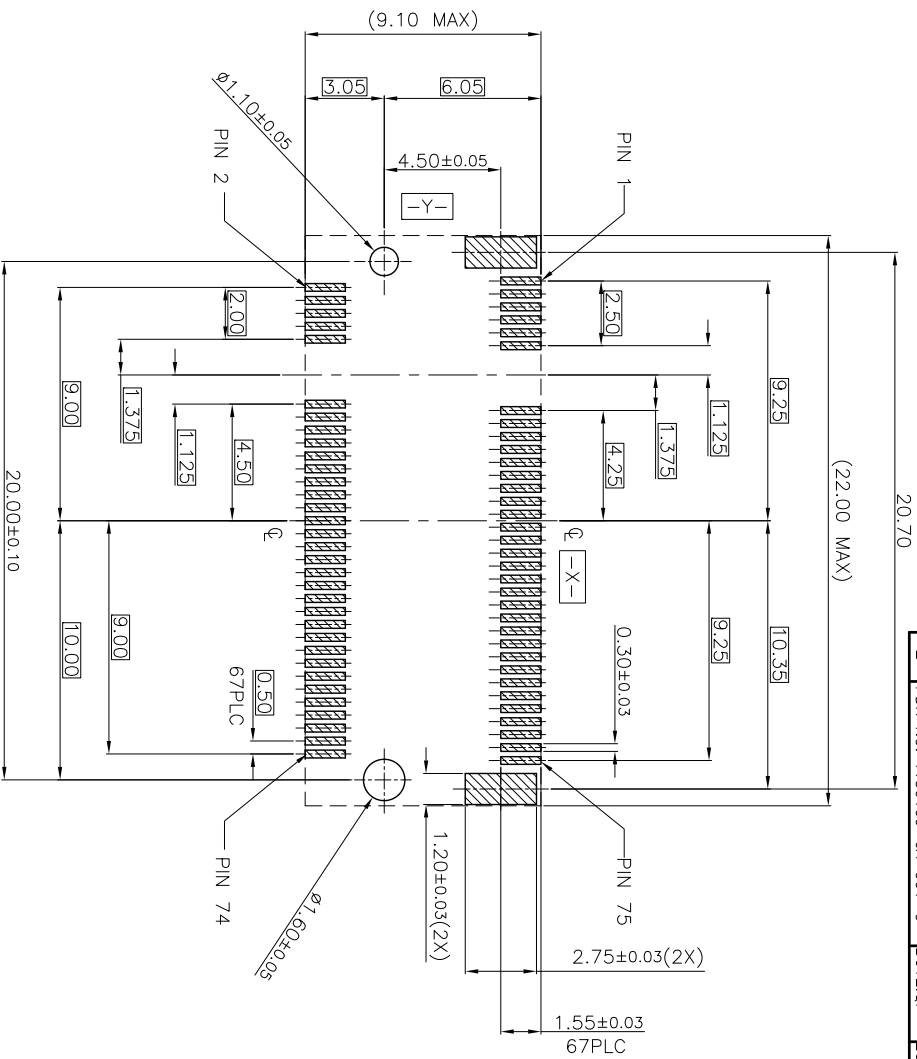


HOW TO MATE AND UNMATE

MATING FORCE WILL GENERATE FROM STEP 3 TO STEP 4



RECOMMENDED PCB LAYOUT(TOP VIEW)

DEFAULT TOLERANCE ±0.05MM

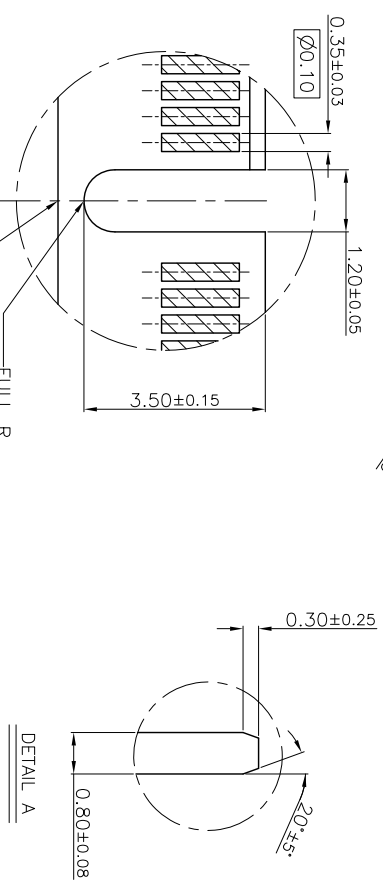
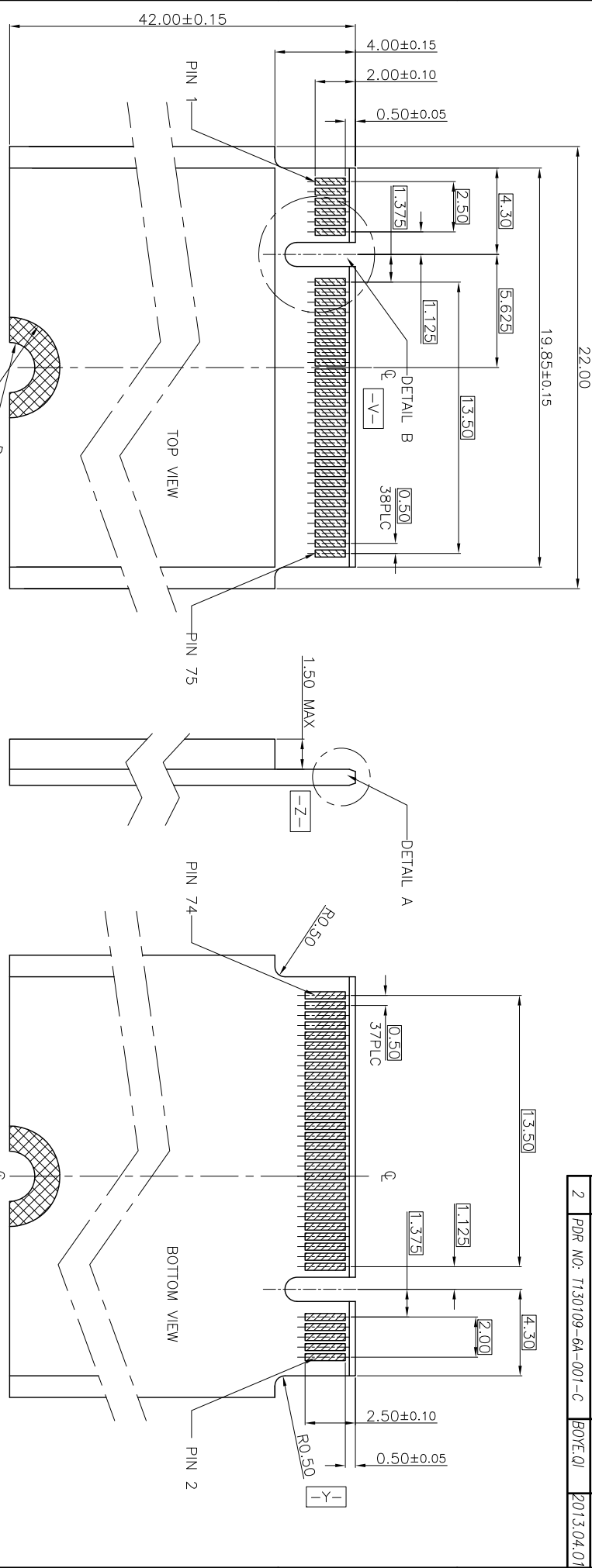
REV.	ECN NO.	OR DESCRIPTION	REVISED	DATE
1	PDR NO: T130109-6A	BOYE.QI	2013.01.16	
2	PDR NO: T130109-6A-001-C	BOYE.QI	2013.04.01	

NO	DESCRIPTION	QTY	MATERIAL	PLATING & COLOR
UNLESS OTHERWISE SPECIFIED TOLERANCES				
DECIMALS: ANGLES:				
X	:±0.5	X	:±2°	
X.X	:±0.3	X.X	:±1°	
X.XX	:±0.2			
TITLE: <b>0.5 PITCH MINI PCI-E</b>				
TOP MOUNT-DOUBLE SIDED(KEY B)				
DWN	2013/04/01	PART NO:	2NF3002-000111F	
CHKD		SCALE:	4:1	UNIT: mm
APVD		SIZE:	A3	SHEET: 2 OF 3
REV: 2				

CUSTOMER COPY

Singatron Enterprise Co., Ltd.  
信譽企業股份有限公司

REV.	ECN NO.	OR DESCRIPTION	REVISED	DATE
1	PDR NO: T130109-6A	BOYE:Q1	2013.01.16	
2	PDR NO: T130109-6A-001-C	BOYE:Q1	2013.04.01	



NO	DESCRIPTION	QTY	MATERIAL	PLATING & COLOR
UNLESS OTHERWISE SPECIFIED TOLERANCES				
DECIMALS: ANGLES:				
X	:±0.5	X	:±2°	
X.X	:±0.3	X.X	:±1°	
X.XX	:±0.2			
TITLE: 0.5 PITCH MINI PCI-E				
DWN: 2013/04/01 PART NO: 2NF3002-000111F				
CHKD: SCALE: 4:1 UNIT: mm				
APVD: SIZE: A3 SHEET: 3 OF 3 REV: 2				

Singatton Enterprise Co., Ltd.  
信營企業股份有限公司

TOP MOUNT-DOUBLE SIDED(KEY B)

CUSTOMER COPY