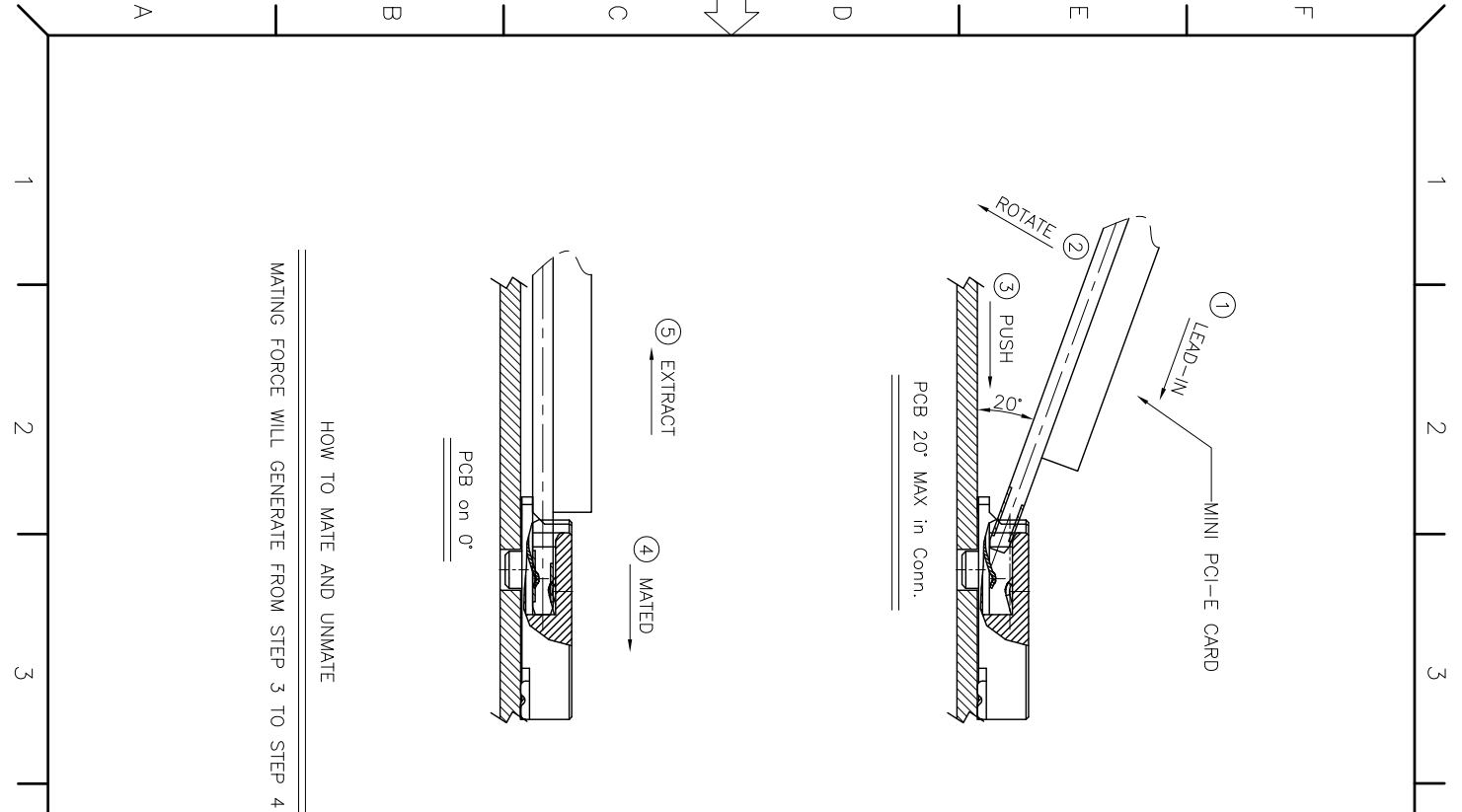


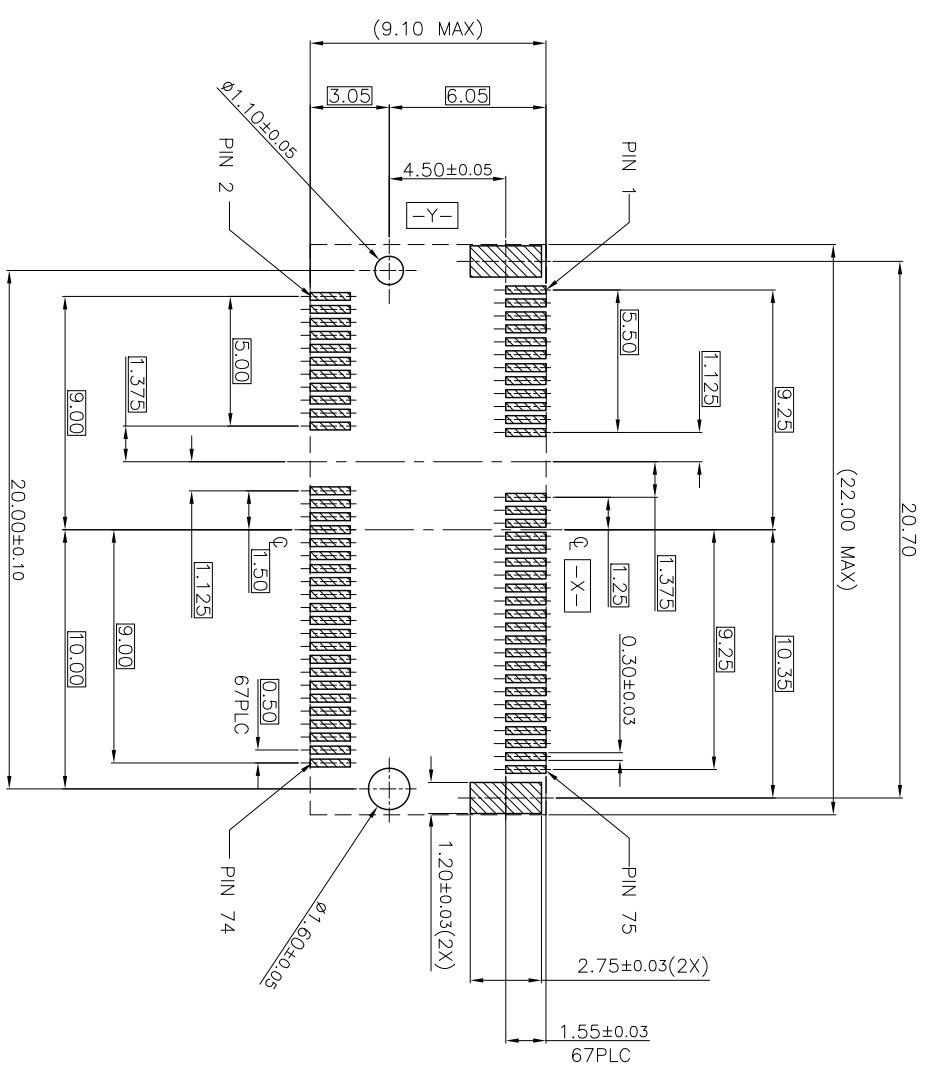
- SPECIFICATIONS:
- ELECTRICAL CHARACTERISTICS:
 - CURRENT : 0.5A PER PIN.
 - LCR: INITIAL: 55 mΩ MAX; FINAL: ΔLCR=20 mΩ MAX;
 - MECHANICAL CHARACTERISTICS:
 - TERMINAL'S RETENSION FORCE TO BE 0.1KG/PIN MIN.
 - DURABILITY: 25 CYCLES.
 - IR REFLOW: THE TEMPERATURE SHALL BE 260±5°C MAINTAINING 10±1 SECONDS.
 - TO CONFORM TO SINGATRON HAZARDOUS SUBSTANCE FREE SPEC.
 - HALOGEN PRODUCT IDENTIFICATION MARK ON JACK: ©
 - HALOGEN PRODUCT IDENTIFICATION LABEL ON PACKAGING:
 - DATE : YMMDD-
 - PACKAGING : TAPE & REEL

D	FITTING NIAL	2	COPPER ALLOY, T=0.30	Mt. Sn 100um PLATED ON SOLDERING ALL OVER 50um NICKEL PLATING.
C	D-TERMINAL	33	COPPER ALLOY, T=0.12	Au 10um OVER PLATED ON CONTACT AREA.
B	U-TERMINAL	34	COPPER ALLOY, T=0.20	Mt. Sn 100um PLATED ON SOLDERING ALL OVER 50um NICKEL PLATING.
A	BODY	1	HIGH TEMP.THERMOPLASTIC	BLACK
NO	DESCRIPTION	QTY	MATERIAL	PLATING & COLOR
UNLESS OTHERWISE SPECIFIED TOLERANCES				
Singatron Enterprise Co., Ltd. 信登企業股份有限公司				
TITLE: 0.5 PITCH MINI PIG-B TOP MOUNT-DOUBLE SIDED(KEY E)				
DWG NO: 20130424 PART NO: 2NF3002-004111F				
CHKD: SCALE:4:1 UNIT: mm				
APVD: SIZE: A3 SHEET: 1 OF 3 REV: 1				
CUSTOMER COPY				

REV	ECN NO	OR DESCRIPTION	REVISED	DATE
1	PDR NO: T130109-6B		BOYE.QI	2013.04.24



HOW TO MATE AND UNMATE
 MATING FORCE WILL GENERATE FROM STEP 3 TO STEP 4



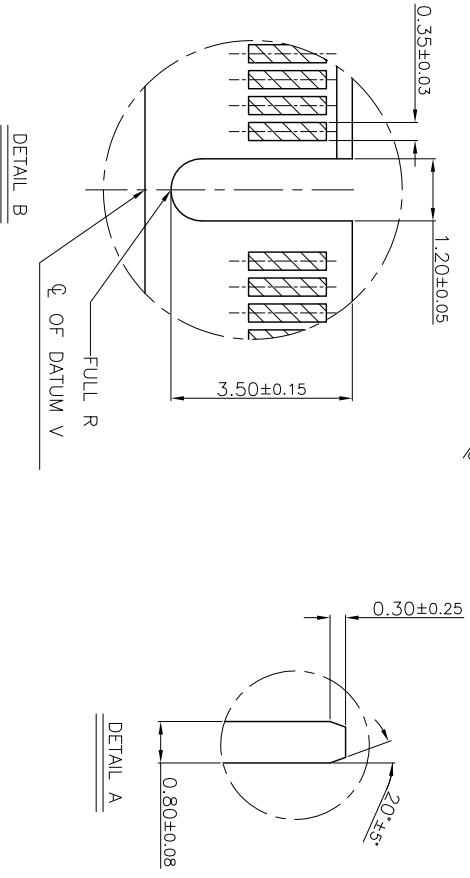
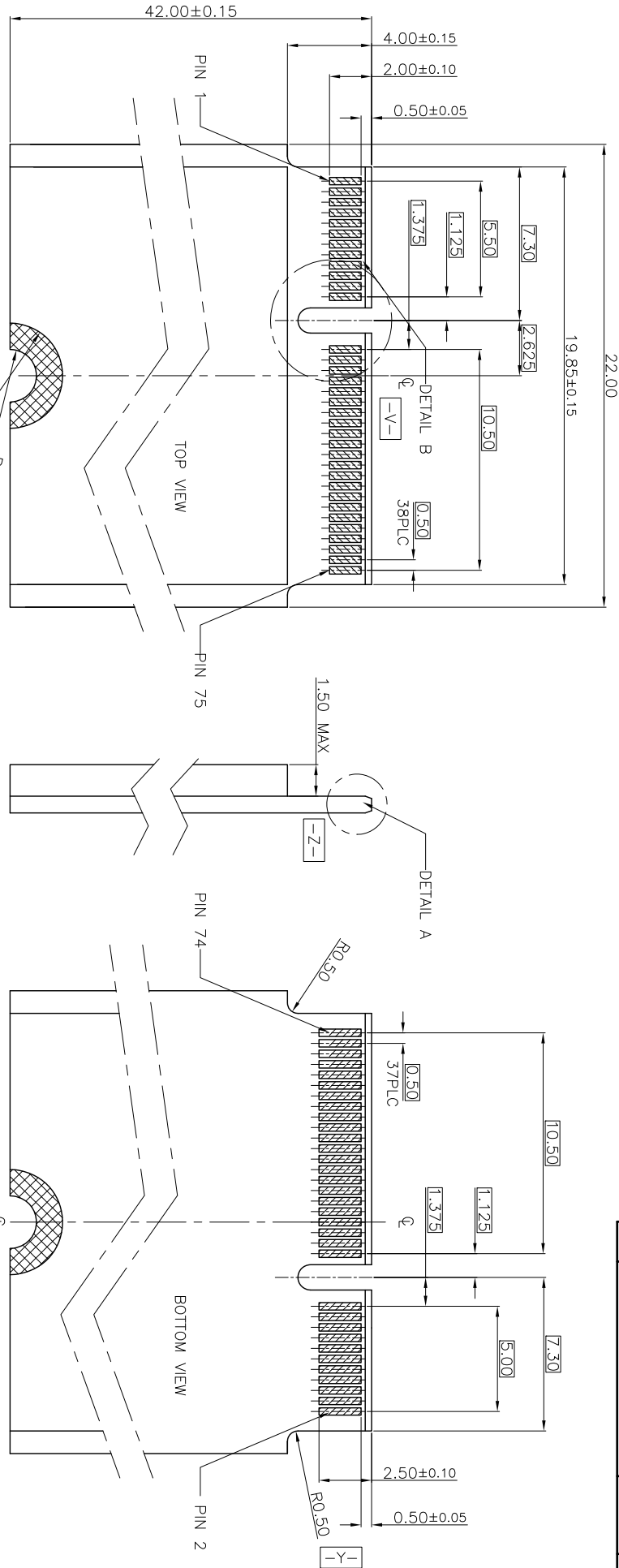
RECOMMENDED PCB LAYOUT(TOP VIEW)
 DEFAULT TOLERANCE ±0.05MM

REV.	ECN NO.	OR DESCRIPTION	REVISED	DATE
1	PDR NO: T130109-6B		BOYE.QI	2013.04.24

NO	DESCRIPTION	QTY	MATERIAL	PLATING & COLOR
UNLESS OTHERWISE SPECIFIED TOLERANCES				
DECIMALS: ANGLES:				
X	:±0.5	X	:±2°	
X.X	:±0.3	X.X	:±1°	
X.XX	:±0.2			
TITLE: 0.5 PITCH MINI PCI-E				
TOP MOUNT-DOUBLE SIDED(KEY E)				
DWN	2013/4/24	PART NO:	2NF3002-004111F	
CHKD		SCALE:4:1	UNIT: mm	
APVD		SIZE: A3	SHEET: 2 OF 3	REV: 1

CUSTOMER COPY

REV.	ECN NO.	OR DESCRIPTION	REVISED	DATE
1	PDR NO: T130109-6B	BOYE.QI	2013.04.24	



NO	DESCRIPTION	QTY	MATERIAL	PLATING & COLOR
	UNLESS OTHERWISE SPECIFIED TOLERANCES			
	DECIMALS:			
X	:±0.5	X	:±2°	
X.X	:±0.3	X.X	:±1°	
X.XX	:±0.2			
	TITLE			
DWN	00E 2013/2/4		TOP MOUNT-DOUBLE SIDED(KEY E)	
CHKD			PART NO: 2NF3002-004111F	
APVD			SCALE:4:1	
			UNIT: mm	
			SIZE: A3	
			SHEET:3 OF 3	
			REV: 1	

CUSTOMER COPY

Singatron Enterprise Co., Ltd.
信亨企業股份有限公司