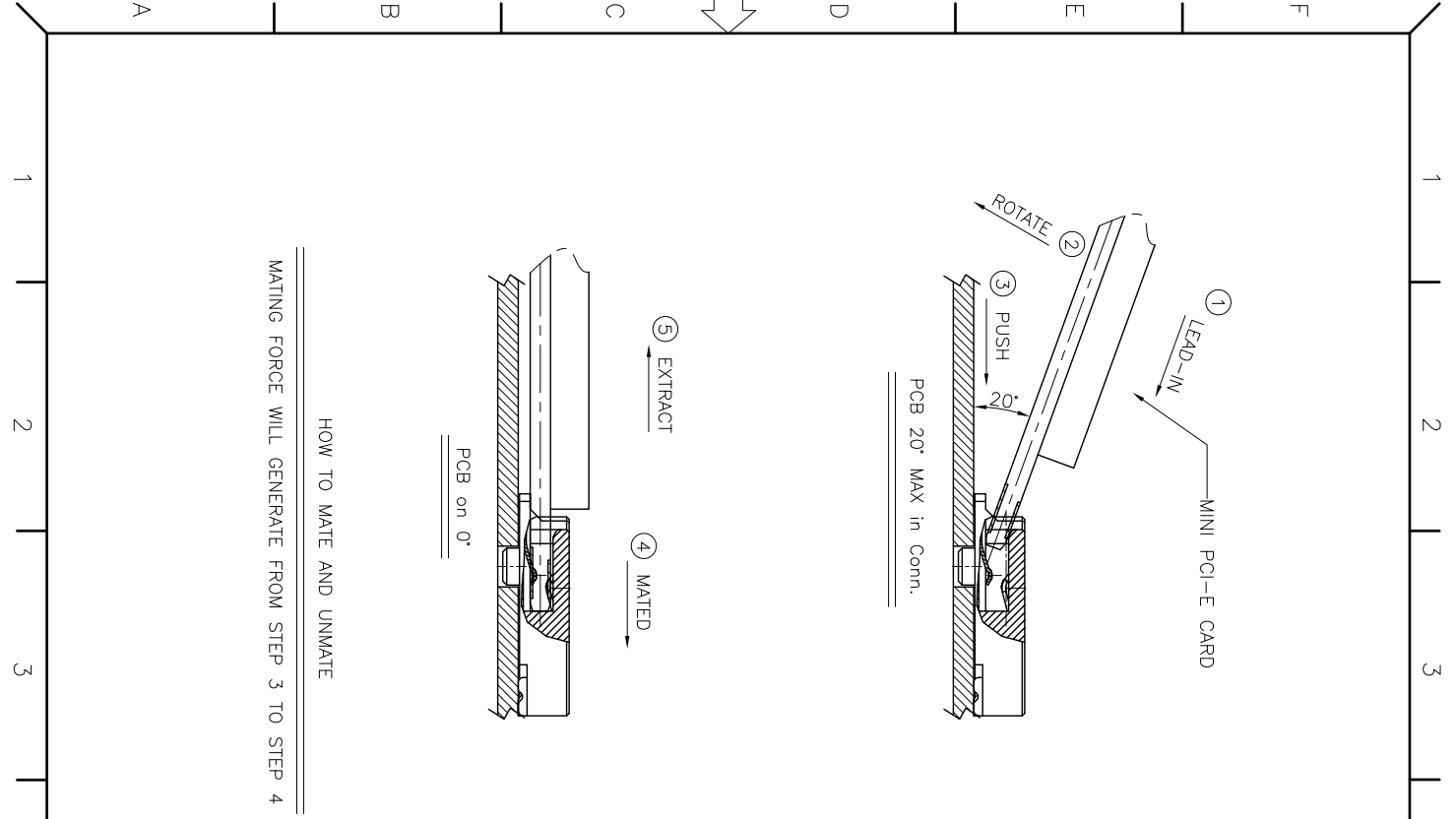


- SPECIFICATIONS:
- ELECTRICAL CHARACTERISTICS:
    - CURRENT : 0.5A PER PIN.
    - LCR: INITIAL: 55 mΩ MAX; FINAL: ΔLCR=20 mΩ MAX;
  - MECHANICAL CHARACTERISTICS:
    - TERMINAL'S RETENSION FORCE TO BE 0.1KG/PIN MIN.
    - DURABILITY: 25 CYCLES.
    - IR REFLOW: THE TEMPERATURE SHALL BE 260±5°C MAINTAINING 10±1 SECONDS.
    - TO CONFORM TO SINGATRON HAZARDOUS SUBSTANCE FREE SPEC.
    - HALOGEN PRODUCT IDENTIFICATION MARK ON JACK: ©
    - HALOGEN PRODUCT IDENTIFICATION LABEL ON PACKAGING:
    - DATE : YYMMDD-
    - PACKAGING : TAPE & REEL

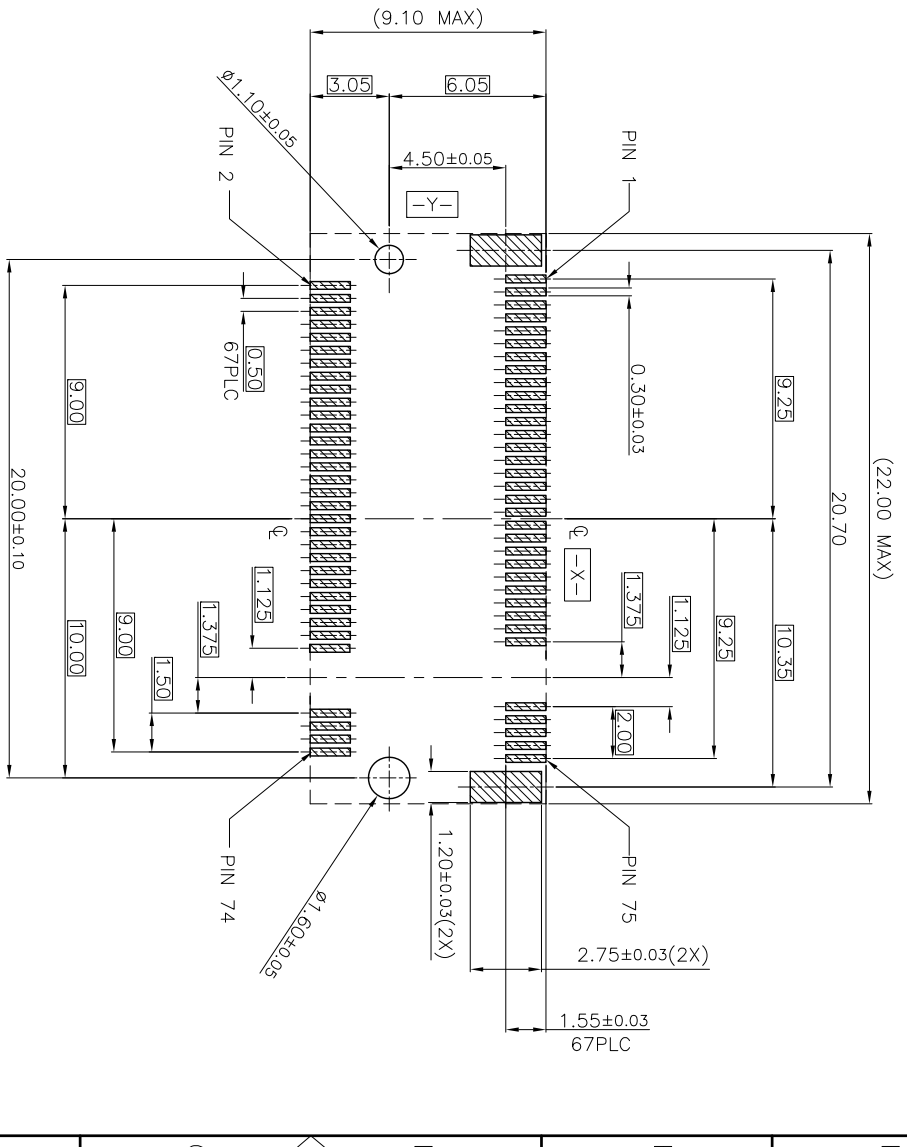
D	FITTING NIAL	2	COPPER ALLOY, T=0.30	Mat. Sn 100um PLATED ON SOLDERING ALL OVER 50um NICKEL PLATING.
C	D-TERMINAL	33	COPPER ALLOY, T=0.12	Au 10um OVER PLATED ON CONTACT AREA.
B	U-TERMINAL	34	COPPER ALLOY, T=0.20	Mat. Sn 100um PLATED ON SOLDERING ALL OVER 50um NICKEL PLATING.
A	BODY	1	HIGH TEMP.THERMOPLASTIC	BLACK
NO	DESCRIPTION	QTY	MATERIAL	PLATING & COLOR
UNLESS OTHERWISE SPECIFIED TOLERANCES				
Singatron Enterprise Co., Ltd. 信亨企業股份有限公司				
TITLE 0.5 PITCH MINI PIG-E TOP MOUNT-DOUBLE SIDED KEY M				
DECIMALS: ANGLES: X :±0.5 X :±2 X.X :±0.3 X.X :±1° X.XX :±0.2				
DWG NO: 20130424 PART NO: 2NF3002-012111F CHKD SCALE: 4:1 UNIT: mm APVD SIZE: A3 SHEET: 1 OF 3 REV: 1				
CUSTOMER COPY				

REV.	ECN NO OR DESCRIPTION	REVISED	DATE
1	PDR NO: T130109-6C	BOYE.QI	2013.04.24



HOW TO MATE AND UNMATE

MATING FORCE WILL GENERATE FROM STEP 3 TO STEP 4

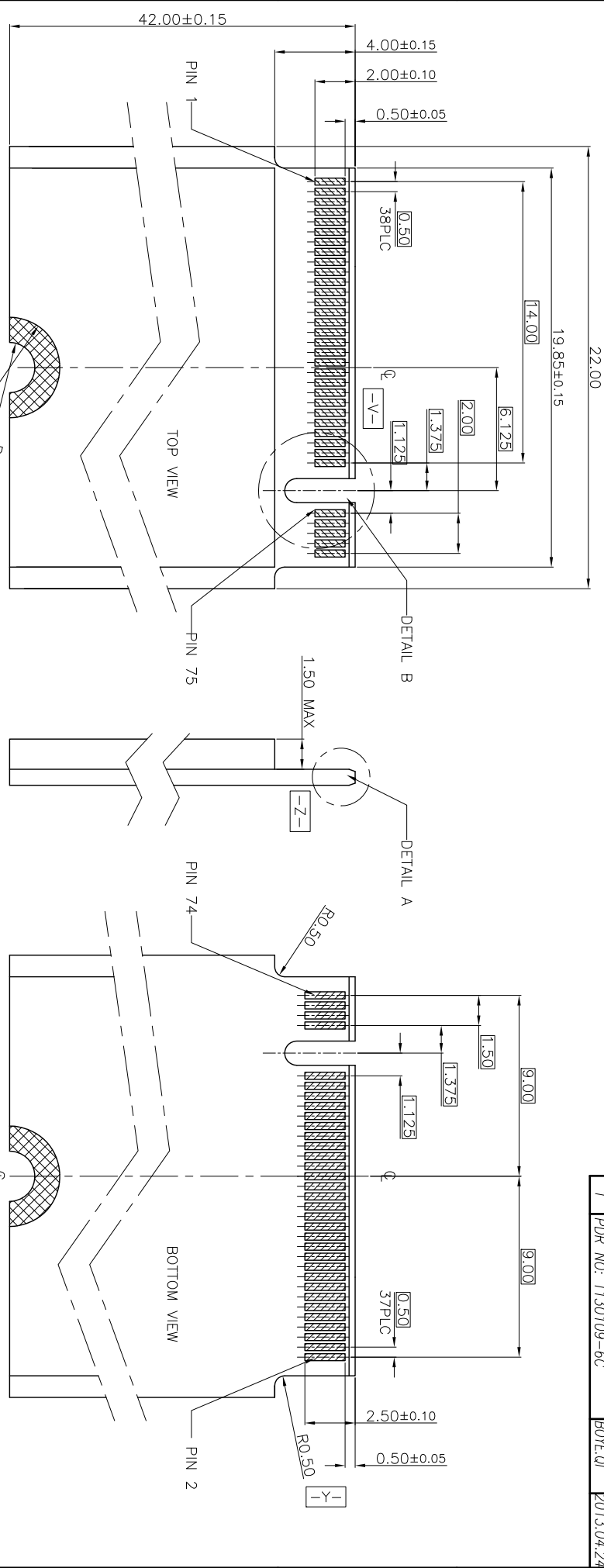


RECOMMENDED PCB LAYOUT(TOP VIEW)  
 DEFAULT TOLERANCE ±0.05MM

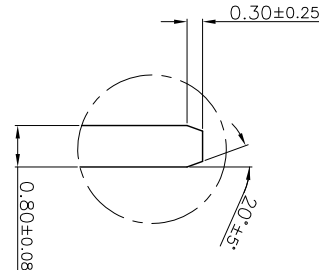
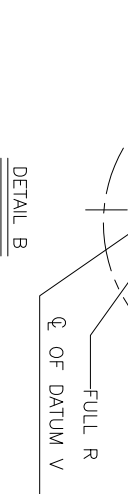
REV.	ECN NO OR DESCRIPTION	REVISED	DATE
1	PDR NO: T130109-6C	BOYE.QI	2013.04.24

NO	DESCRIPTION	QTY	MATERIAL	PLATING & COLOR
UNLESS OTHERWISE SPECIFIED TOLERANCES				
Singapore Enterprise Co., Ltd. 信譽企業股份有限公司				
TITLE: 0.5 PITCH MINI PCI-E TOP MOUNT-DOUBLE SIDED(KEY M)				
DWG NO: 20130424 PART NO: 2NF3002-012111F CHKD: SCALE:4:1 UNIT: mm APVD: SIZE: A3 SHEET: 2 OF 3 REV: 1				
CUSTOMER COPY				

REV.	ECN NO.	OR DESCRIPTION	REVISED	DATE
1	PDR NO: T130109-6C		BOYE.QI	2013.04.24



NO	DESCRIPTION	QTY	MATERIAL	PLATING & COLOR
UNLESS OTHERWISE SPECIFIED TOLERANCES				
Singapore Enterprise Co., Ltd. 信晉企業股份有限公司				
TITLE: 0.5 PITCH MINI PCI-E TOP MOUNT-DOUBLE SIDED(KEY M)				
DWN	2013/4/24	PART NO:	2NF3002-012111F	
CHKD		SCALE:	4:1	UNIT: mm
APVD		SIZE:	A3	SHEET: 3 OF 3
REV: 1				



CUSTOMER COPY