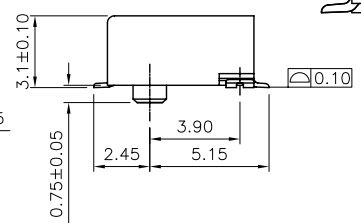
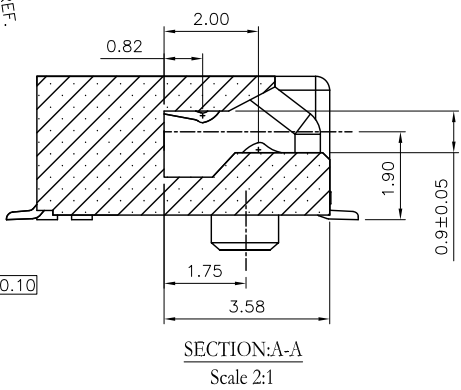
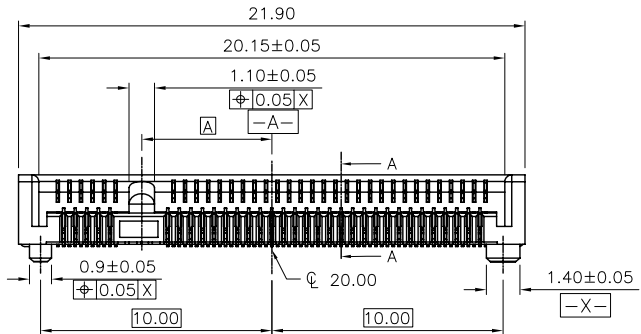


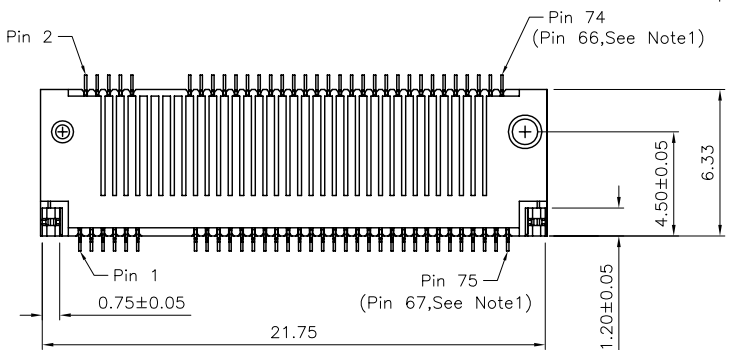
Mating Similar



Material:
Housing: LCP UL94V-0, Black.
Contacts: Brass.
Gold Plated on Contact Area and Gold Flash on solder tail over Nickel 50u"
Solder Peg: Stainless Steel, 80u"Matte Tin Plated over Nickel 50u".
Electrical Characteristics:
Voltage Rating: AC/DC 50V.
Current Rating: 0.5 AMP.
Dielectric Withstanding Voltage: AC 300V for 1 minute.
Insulator Resistance: 500MΩ min. at DC 500V.
Contact Resistance: 55mΩ max.
Operating Temperature: -40°C~+80°C.
Mechanical Characteristics:
Mating Force: 2.04 kgf.
Unmating Force: 0.1 kgf.
Durability Cycles: 60 Cycles.
***RoHS Compliant**
Note1: Connector Actual PIN quantity is 67, as the Key taking out 8 PINS.



2NF8402 - 67 G 00 x 3 T
Series: 2NF8402
No. of Pin Count: 67
G: Gold Plated
00: Gold Flash
05:05u"
10:10u"
15:15u"
30:30u"
x: Package
3: 3:3.2mm Height
T: Tape & Reel Package
A: Key A
B: Key B
E: Key E
M: Key M



Key	Dimension							Pad Removed
	A	B	C	D	E	F	G	
A	6.625	1.5	14.5	1.0	14.5	1.375	1.125	Pin 8~15
B	5.625	2.5	13.5	2.0	13.5	1.375	1.125	Pin 12~19
E	2.625	5.5	10.5	5.0	10.5	1.375	1.125	Pin 24~31
M	-6.125	14.0	2.0	14.0	1.5	1.125	1.375	Pin 59~66

Singatron Enterprise Co., Ltd.

Tolerances	TITLE	NGFF		
.x = ±0.25	DWN	Doris	PART NO.	2NF8402-67G00x3T
.xx = ±0.15	CHKD	05/24'17	SCALE	1:1 UNIT: mm
.xxx = ±0.05	APVD		SIZE: A3	SHEET: 1/2 REV: A4
	CUSTOMER COPY			