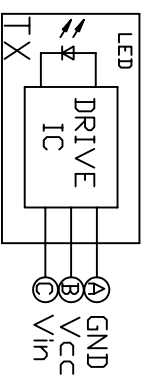
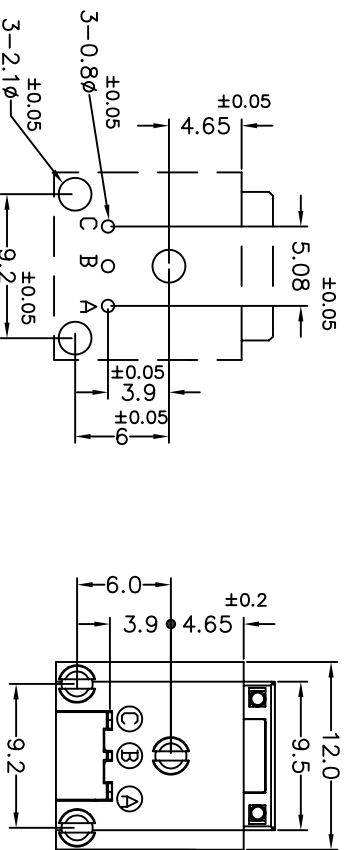
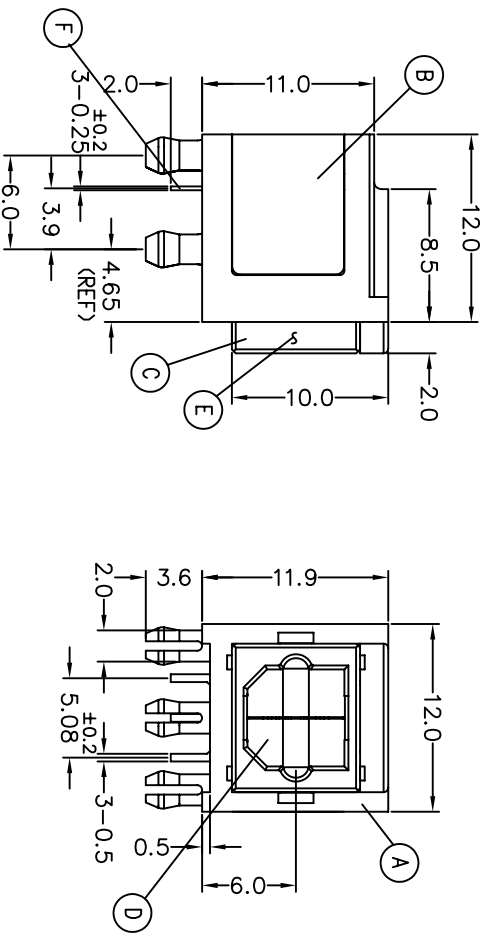
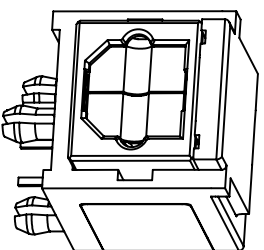


REV.	ECN NO OR DESCRIPTION	REVISED	DATE
B	NEW WIRE LED 2005 SERIES - 204-4000 SERIES	Beryl	2004-12-7
C	ECN NO. 940223	BERYL	2005.10.5

SPECIFICATIONS:
 SEE 20J-0100 SERIES SPECIFICATIONS.



Recommended PCB Layout
 <BOTTOM VIEW>

F	TX UNIT	1	COPPER ALLOY 0.25t	TIN PLATING
E	COIL SPRING	2	SUS 301	
D	GATE	2	PA66	GREEN COLOR
C	FRAME	1	PA66	BLACK COLOR
B	COVER	1	PBT UL 94V-0	BLACK COLOR
A	BODY	1	PBT UL 94V-0	BLACK COLOR
NO	DESCRIPTION	QTY	MATERIAL	PLATING & COLOR

UNLESS OTHERWISE SPECIFIED TOLERANCES

DECIMALS: ANGLES:

X :±0.5 X :±2°
 X.X :±0.3 X.X :±1°
 X.XX :±0.2

Singatron Enterprise Co., Ltd.
 信音企業股份有限公司

TITLE: OPTICAL JACK

DWN: 2005.10.5 PART NO. 20J-0103-101
 CHKD: 2005.10.7 SCALE: 3/1 UNIT: mm
 APVD: 2005.10.11 SIZE: A3 SHEET: 1 OF 1 REV: C

CUSTOMER COPY

