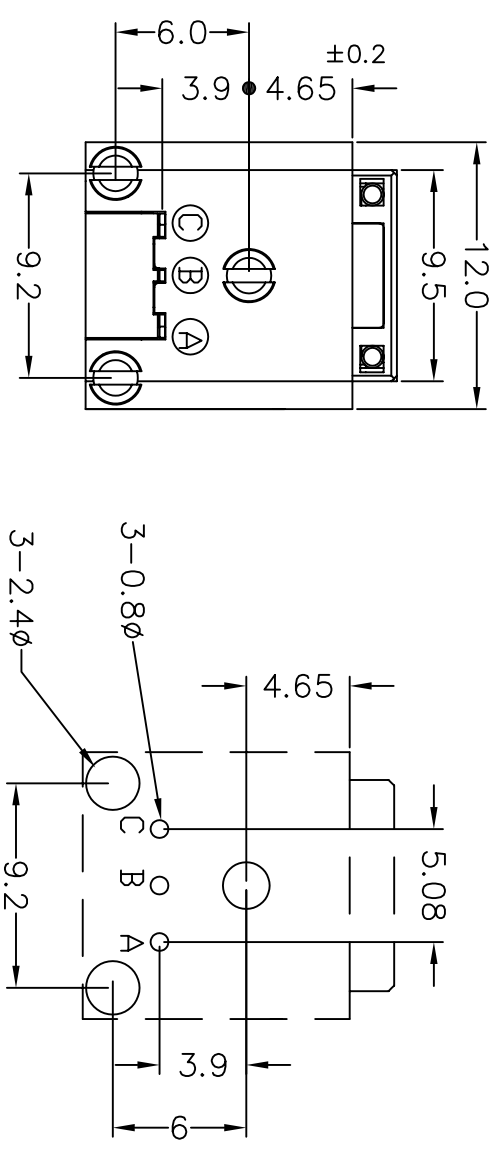
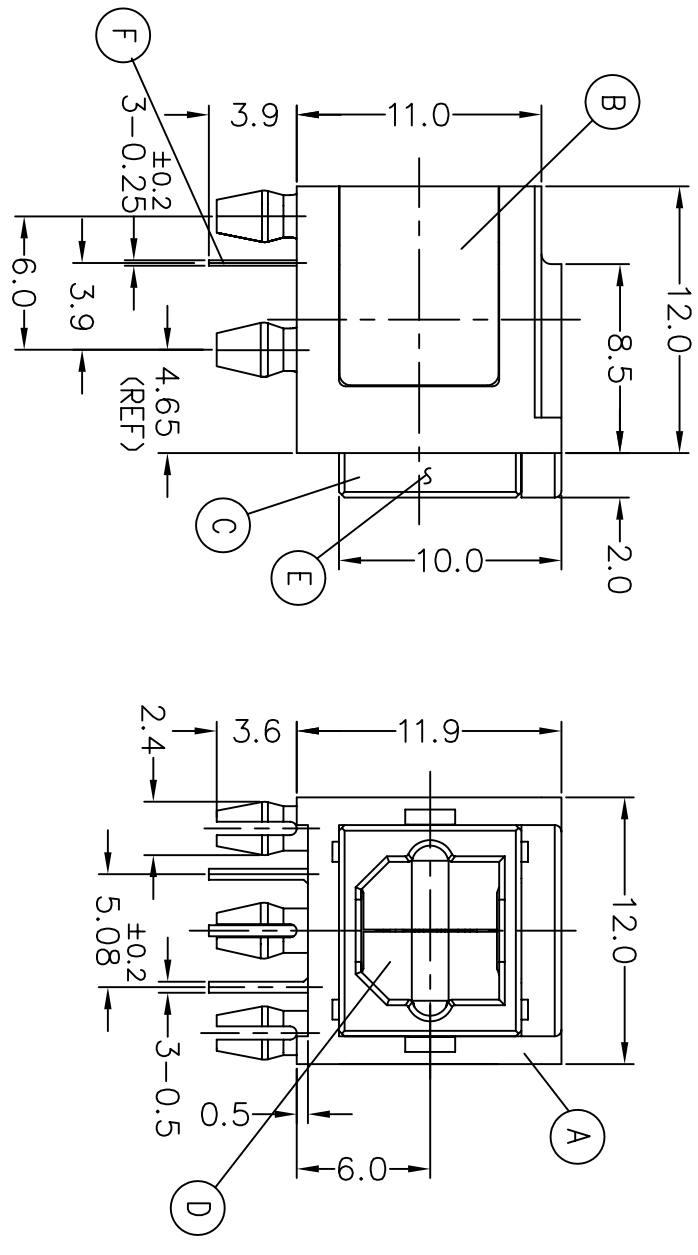
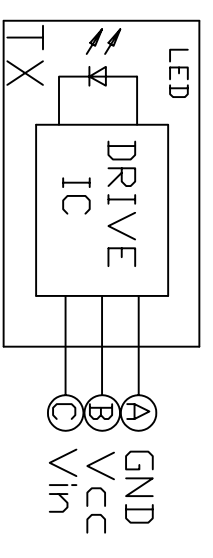
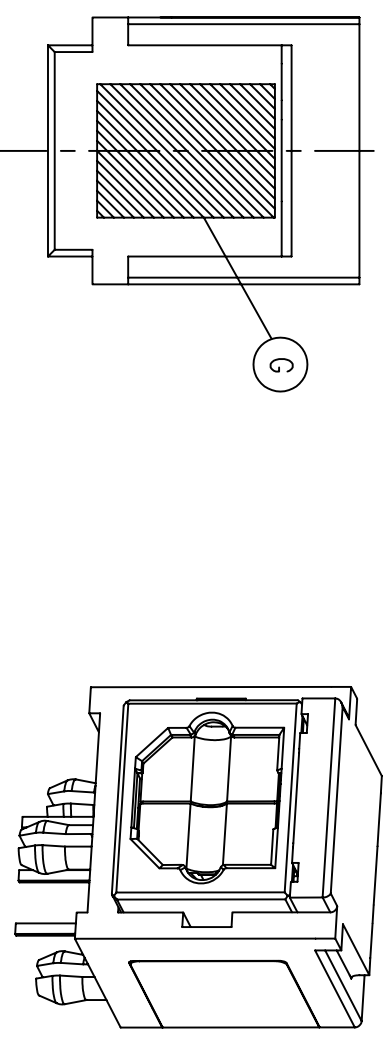


REV.	ECN NO OR DESCRIPTION	REVISED	DATE
B	WORK NOTE (20J-0103 SERIES) → 20J-0103 SERIES	Beryl	2004-12-7
C	REPLACE 20J-0103-201 ADD PACKING FOR TUBE	Beryl	2005.1.10
D	ECN NO.940031 20J-0103-201 ADD MYLAR	Beryl	2005.2.21
E	ECN NO.940223	Beryl	2005.10.5

SPECIFICATIONS:
 □ 1. SEE 20J-0103 SERIES SPECIFICATIONS.



Recommended PCB Layout
BOTTOM VIEW (TOLERANCE: ±0.05)

20J-0103-2□1

PACKING
 M: WITHOUT MYLAR AND PACKING FOR TAPE & REEL
 A: WITHOUT MYLAR AND PACKING FOR TUBE
 0: WITH MYLAR AND PACKING FOR TAPE & REEL

G	INSULATION FILM	1	MYLAR 0.075t	TRANSPARENT
F	TX UNIT	1	COPPER ALLOY 0.25t	TIN PLATING
E	COIL SPRING	2	SUS 301	
D	GATE	2	PA-6T UL94V-0	GREEN COLOR
C	FRAME	1	PA-6T UL94V-0	BLACK COLOR
B	COVER	1	PA-6T UL94V-0	BLACK COLOR
A	BODY	1	PA-6T UL94V-0	BLACK COLOR
NO	DESCRIPTION	QTY	MATERIAL	PLATING & COLOR

UNLESS OTHERWISE SPECIFIED TOLERANCES

DECIMALS: ANGLES:

X : ±0.5 X : ±2°
 X.X : ±0.3 X.X : ±1°
 X.XX : ±0.2

Singatron Enterprise Co., Ltd.
 信音企業股份有限公司

OPTICAL JACK

PART NO. 20J-0103-2□1

SCALE: 3/1 UNIT: mm

SIZE: A3 SHEET: 1 OF 1 REV: E

CUSTOMER COPY