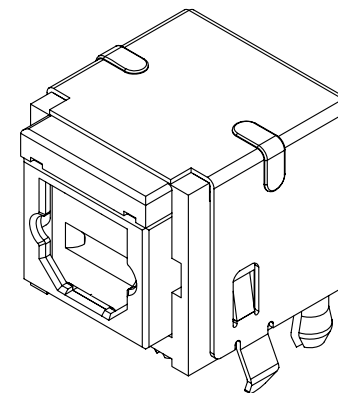


REV.	ECN NO OR DESCRIPTION	REVISED	DATE
B1	PER NO.0810028	Johnson	2008.10.27



SPECIFICATIONS:

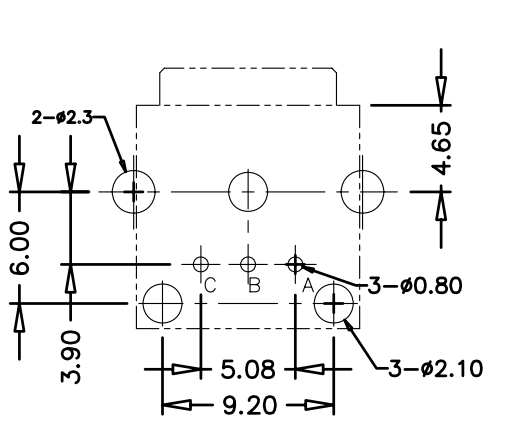
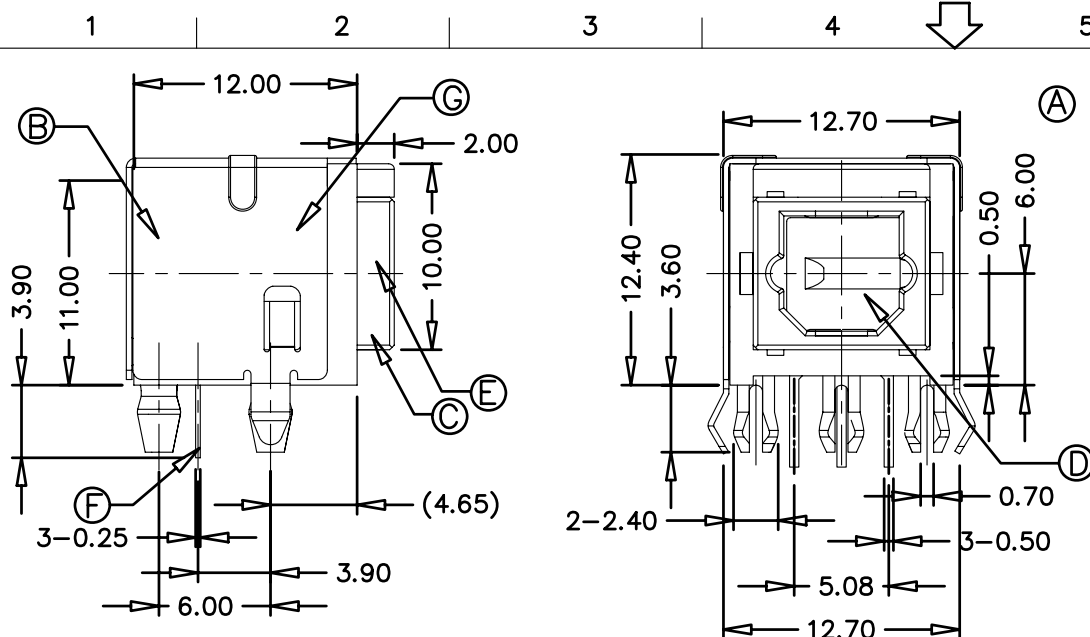
- SEE 20J-010 SERIES SPECIFICATIONS.
  - SOLDER HEAT RESISTANCE: 260° 10 SECS.
  - GREEN PRODUCT IDENTIFICATION LABEL IN PACKING: **G.P. PASS**
  - TO CONFORM TO THE "SINGATRON HSF SPECIFICATION"
  - FOR LEAD-FREE PROCESS.
- PART NO.  
20J-0103-RX2

PACKING  
O: TAPE & REEL  
B: TRAY

NO	DESCRIPTION	QTY	MATERIAL	PLATING & COLOR
G	SHIELD		COPPER ALLOY 0.25t	Ni PLATING
F	TX UNIT	1	COPPER ALLOY 0.25t	TIN PLATING
E	COIL SPRING	2	SUS 301	
D	GATE	2	PA-9T UL 94V-0	GREEN COLOR
C	FRAME	1	PA-9T UL 94V-0	BLACK COLOR
B	COVER	1	PA-9T UL 94V-0	BLACK COLOR
A	HOUSING	1	PA-9T UL 94V-0	BLACK COLOR

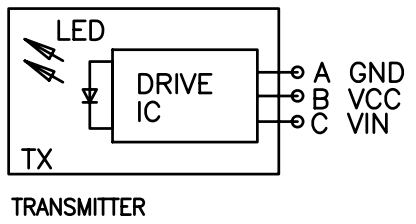
  

UNLESS OTHERWISE SPECIFIED TOLERANCES		Singatron Enterprise Co., Ltd. 信音企業股份有限公司	
DECIMALS:	ANGLES:	TITLE	OPTICAL JACK
X : ±0.5	X : ±2°	DWN	<b>PART NO. 20J-0103-RX2</b>
X.X : ±0.3	X.X : ±1°	CHKD	SCALE:3/1 UNIT: mm
X.XX : ±0.2		APVD	SIZE: A3 SHEET:1 OF 1 <b>REV:B1</b>
<b>CUSTOMER COPY</b>			



RECOMMENDED PCB LAYOUT  
<BOTTOM VIEW>

NOTE : TOLERANCE FOR PCB LAYOUT IS ± 0.05



TRANSMITTER