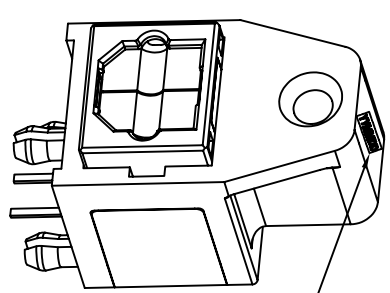
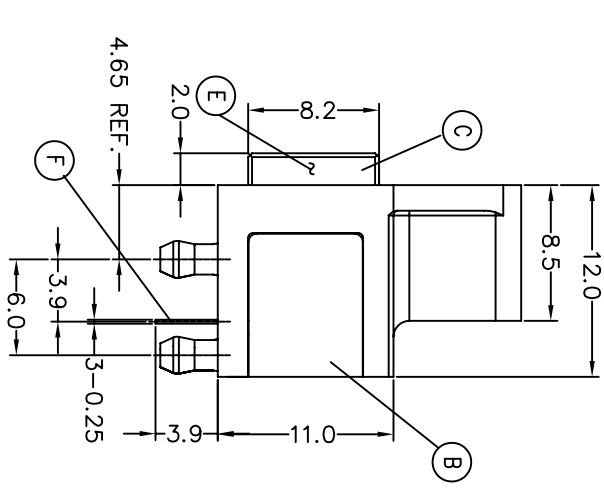
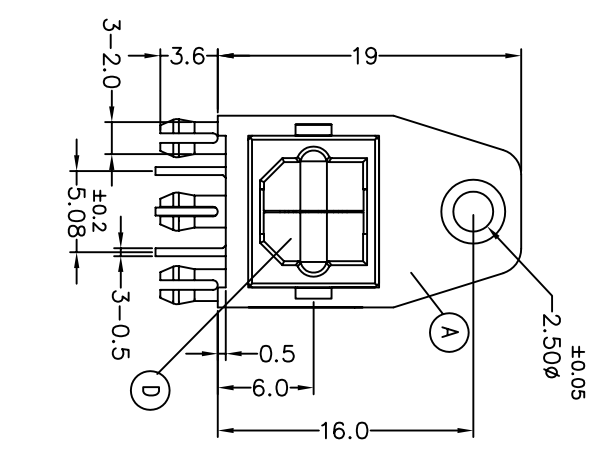
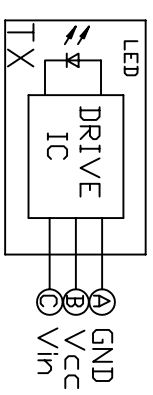


REV.	ECN NO.	OR DESCRIPTION	REVISED	DATE
E	20J-0104-001	→ 20J-0104-00X SERIES APPROVED	EVEN	2007.3.22
F	20J-0104-002		EVEN	2007.4.19

- SPECIFICATIONS:**
- SEE 20J-0104 SERIES SPECIFICATIONS.
 - SOLDER HEAT RESISTANCE: WAVE SOLDERING 260°C 10SECS.
 - TO CONFORM TO THE "SE-01-001" & "ROHS DIRECTIVE"
 - GREEN PRODUCT IDENTIFICATION LABEL IN PACKING: **G.P. PASS**



DATE CODE(WHITE COLOR)
 YY : Year 07
 MM : Month (01~12)
 DD : Day (01~31)



PART NO.
20J-0104-00X
SEE "TABLE 1"

Recommended PCB Layout
<BOTTOM VIEW>

TABLE 1

PART NO.	GATE COLOR	DATE CODE
20J-0104-001	GREEN	O
20J-0104-002	BLACK	

NO	DESCRIPTION	QTY	MATERIAL	PLATING & COLOR
F	DRIVE IC(TX UNIT)	1		
E	COIL SPRING	2	SUS 301	
D	GATE	2	PA66	SEE"TABLE 1"
C	FRAME	1	PA66	BLACK COLOR
B	COVER	1	PBT UL 94V-0	BLACK COLOR
A	BODY	1	PBT UL 94V-0	BLACK COLOR

UNLESS OTHERWISE SPECIFIED TOLERANCES

DECIMALS: ANGLES:
 X : ±0.5 X : ±2°
 X.X : ±0.3 X.X : ±1°
 X.XX : ±0.2

TITLE	DWN	CHKD	APVD
OPTICAL JACK	ERI 2007.4.19	ERI 2007.4.19	ERI 2007.4.20
PART NO. 20J-0104-00X	SCALE:3/1	UNIT: mm	SIZE: A3
			SHEET:1 OF 1
			REV: F

Singatron Enterprise Co., Ltd.
 信音企業股份有限公司

CUSTOMER COPY