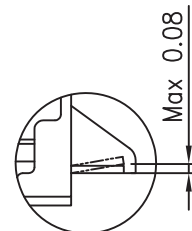
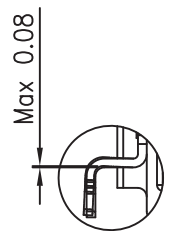
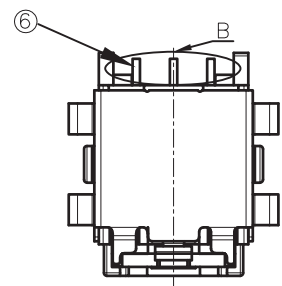
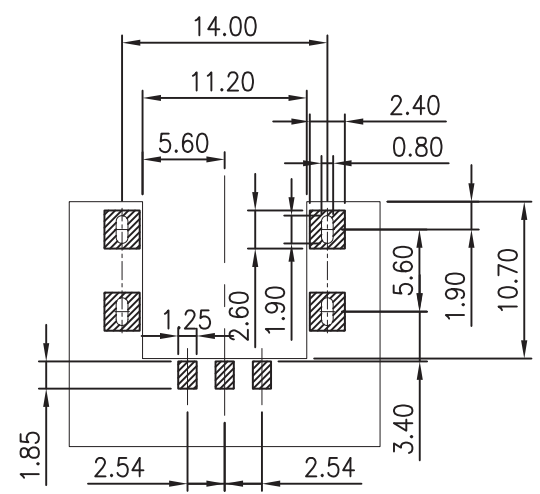
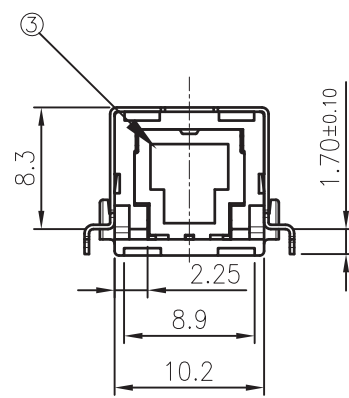
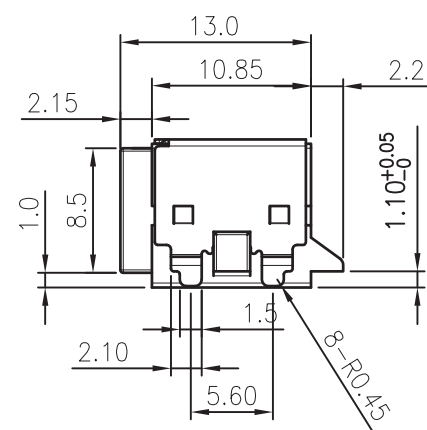
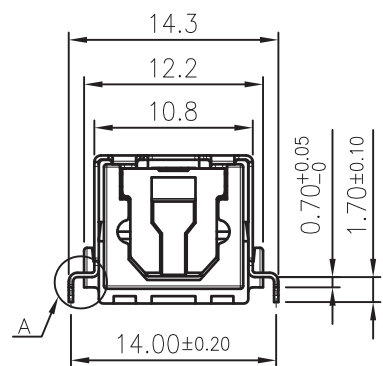
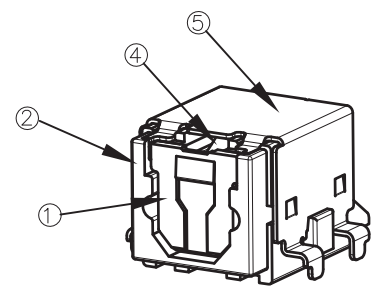
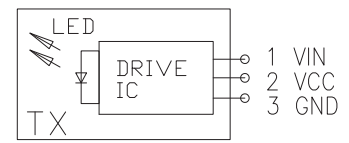


RoHS

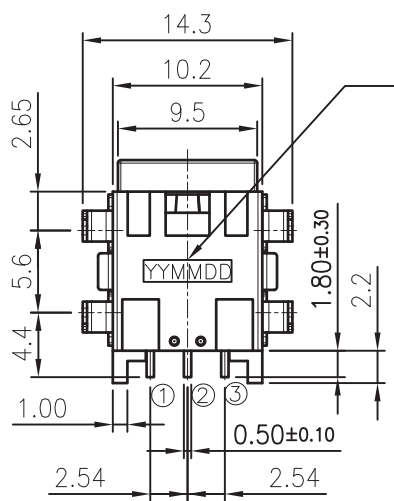
REV.	ECN NO OR DESCRIPTION	REVISED	DATE
------	-----------------------	---------	------



DETAIL "A" SCALE 4:1 DETAIL "B" SCALE 4:1



RECOMMENDED PCB LAYOUT
<BOTTOM VIEW>
NOTE : TOLERANCE FOR PCB LAYOUT IS ± 0.05



DATE CODE:
YYMMDD
YY:YEAR(10~)
MM:MONTH(01~12)
DD:DATE(01~31)

TRANSMITTER
1 PIN CONFIG
① VIN
② VCC
③ GND
2 G.T : ±0.3

7.PART NO. INFORMATIONS:
20J 4210 - 07 M B T-R T 0
SPECIAL OPTION:NO SPECIAL OPTION
DRIVE IC:TX
PACKAGE:TAPE & REEL
TERMINAL PLATING:TIN
THE COLOR OF HOUSING:BLACK
SOLDER TAIL:SMT+DIP
Q'TY OF TERMINAL:7
PRODUCT SERIES
PRODUCT TYPE

⑥	DRIVE IC	1	TX	25 Mbps
⑤	SHELL	1	SPCC	Tin80u"
④	SPRING	1	SUS301	
③	COVER	1	LCP	BLACK
②	HOUSING	1	LCP	BLACK
①	GATE	1	PA66	BLACK
NO	DESCRIPTION	QTY	MATERIAL	PLATING & COLOR

UNLESS OTHERWISE SPECIFIED TOLERANCES		Singatron Enterprise Co., Ltd.		
DECIMALS:	ANGLES:	TITLE	SPIDF JACK	
X : ±0.5	X : ±2'	DWN	Sunny 15-05-22	PART NO. 20J4210-07MBT-RT0
X.X : ±0.3	X.X : ±1'	CHKD	SCALE 1:1	UNIT: mm
X.XX : ±0.2		APVD	SIZE: A3	SHEET: 1 OF 1 REV: X.1
CUSTOMER COPY				