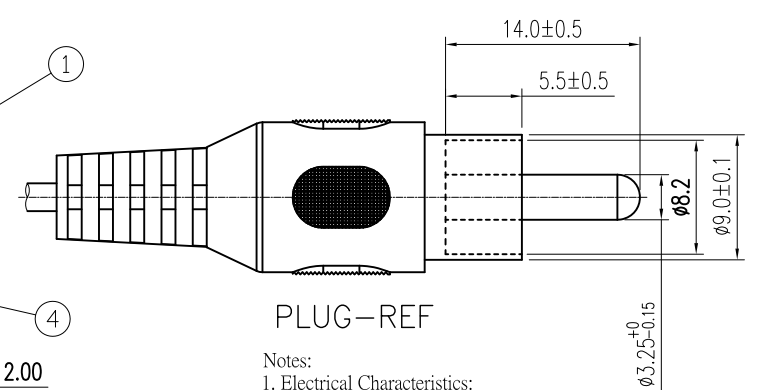
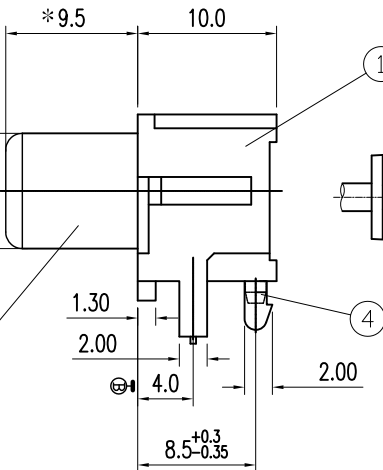
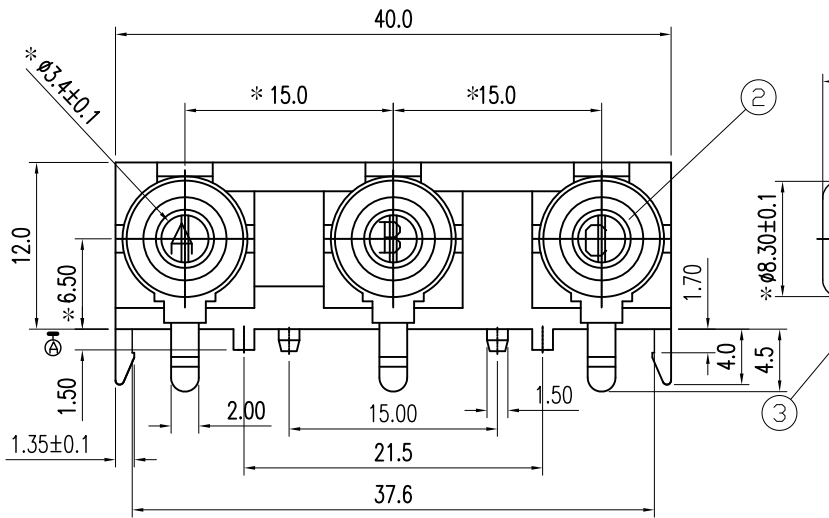


*: INDICATES THE KEY DIMENSIONS [*為重點尺寸]

* REVISIONS				
LTR	DESCRIPTION	DATE	REVISED	APPROVED
1	將HOOK腳間的距離由原來38mm修改成37.6±0.3mm 且HOOK腳倒勾厚度由原來1.5mm改成1.35±0.1mm	2007.08.30	J.P. LIN	GAO

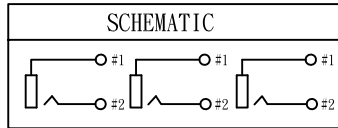


PLUG-REF

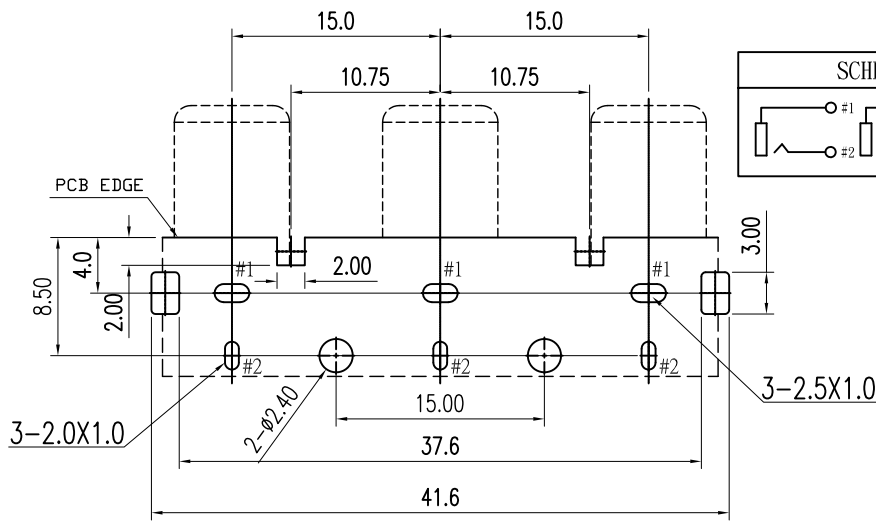
- Notes:
- Electrical Characteristics:
 - Rating : DC 12V 1A ;
 - Contact Resistance: 30mΩ Max.(Initial),
Between plug and contact 100mΩ Max;
(Final) After Life test: ≤60mΩ ;
 - Dielectric Withstanding Voltage: 500V AC for One Minute ;
 - Insulation Resistance: 100MΩ Min. Measured By 500 VDC;
 - Mechanical Characteristics:
 - Plug Insertion Force 0.3~3.0Kgf (initial),
0.3~3.0Kgf (Final) life test;
 - Plug Extraction Force: 0.3~3.0Kgf (initial),
0.3~3.0Kgf (Final) life test;
 - Durability Test: 500 Cycles min;
 - Operating temperature:-25°C ~ +70°C;
 - Soldering Heat Resistance Reflow Soldering 230°C;
 - Plug Interface Dimensions Conform To EIAJ RC-5231A Spec;
 - Packaging:Tray;

Table"

2PJ-W032-35B-08		
WASHER COLOR		
A	B	C
YELLOW	WHITE	RED



LEAD FREE



Recommend of PC Board Holes
Tolerance : ±0.05(Bottom view)

LTR	PART NAME	QTY	MATERIAL	REMARK
4	TIP SPRING	3	C2680 t=0.5	MB:Cu Cu/Sn PLATED
3	OUTER CONTACT	3	C2680 t=0.4	Ni PLATED
2	WASHER	3	PBT	UL-94V0 Color See Table'
1	HOUSING	1	PBT	UL-94V0(BLACK)

-TOLERANCES- UNLESS OTHERWISE SPECIFIED 公差				
TITLE	Singatron Enterprise Co., Ltd.			
X.X ±0.30	X.X' ±3'	PIN JACK		
X.XX ±0.25	X.XX' ±1'	DWN J.P. LIN 2005.10.15	PART NO. 2PJ-W032-35B-08	
X.XXX ±0.20		CHKD J.P. 2005.10.15	SCALE 1:1	UNIT: mm
		APVD J.P. LIN 2005.10.15	SIZE: A3	SHEET: 1 OF 1 REV:003
CUSTOMER COPY				