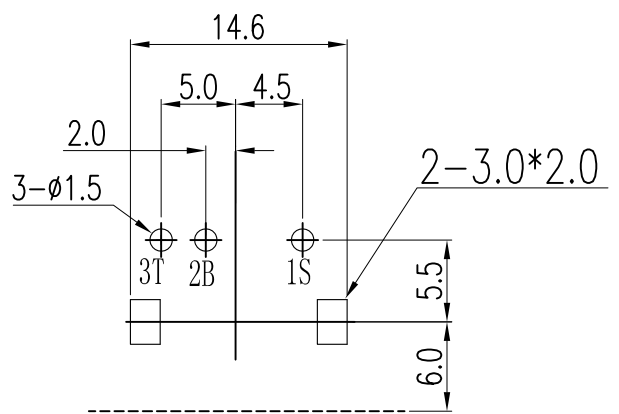
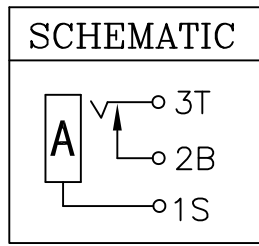
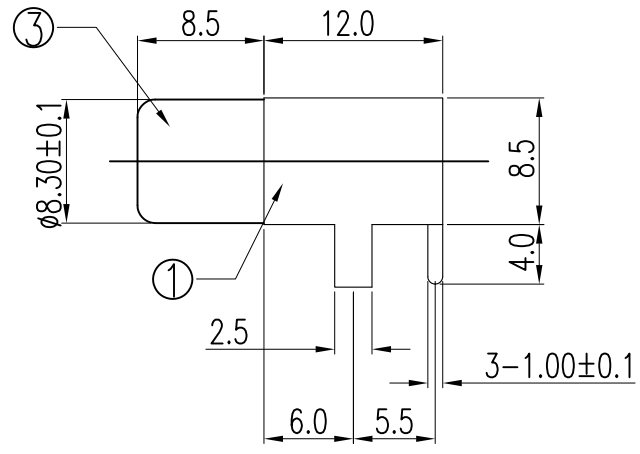
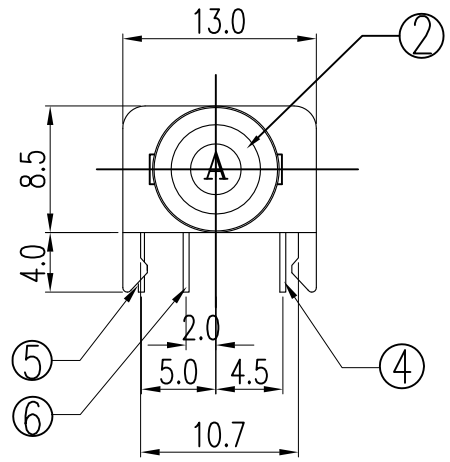


工程變更通知單號 ECN NO.	更改 REV	設變內容 MODIFICATION	日期 DATE	製圖 DRAW	核准 APPROVE
	A1	NEW DWG	2010.11.22	ANJOU	GIEVEN



T:1.6 Dimensions of PC board holes  
Tolerance : ±0.1(Printed-Top view)

LEAD FREE

6	TERMINAL	1	C2680	t=0.4	MB:Cu Cu/Sn PLATED
5	BREAK TERMINAL	1	C5191	t=0.4	MB:Cu Cu/Sn PLATED
4	GROUND TERMINAL	1	C2680	t=0.4	MB:Cu Cu/Sn PLATED
3	OUTER CONTACT	1	C2680	t=0.3	MB:Cu Cu/Sn PLATED
2	WASHER	1	PBT 4815		UL-94V0
1	HOUSING	1	PBT 4815		UL-94V0(BLACK)

-TOLERANCES-		SINGATRON U.S.A.					
UNLESS OTHERWISE SPECIFIED		公差				FILE NO: 文件編號:	
				TITLE: 產品名稱: PIN JACK			
X.X ±0.25	X.X° ±3°	APPD: 核准:		PRODUCT NO: 產品編號: 2PJ-W032-61A_H			
X.XX ±0.15	X.XX° ±1°	CHECK: 校对		DATE	SCALE	UNIT	TYPE PAGE
X.XXX ±0.05	X.XXX° ±0.5°	DRAW: 繪制:		2010.04.12	FREE	MM	F 1