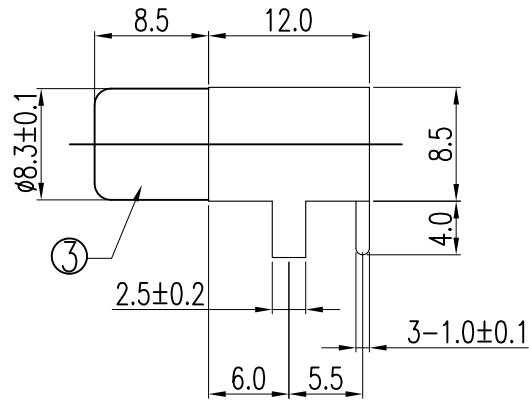
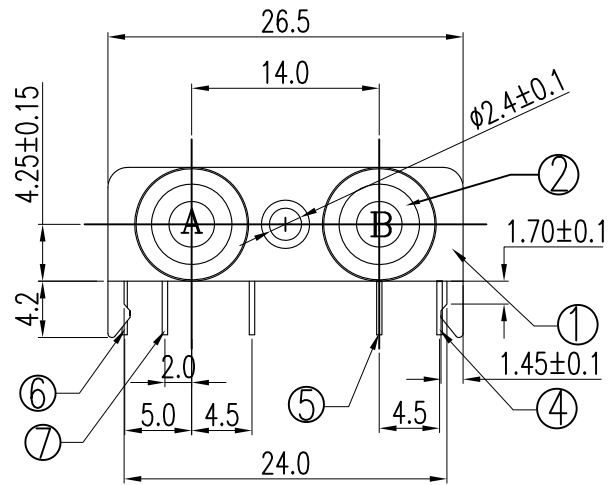
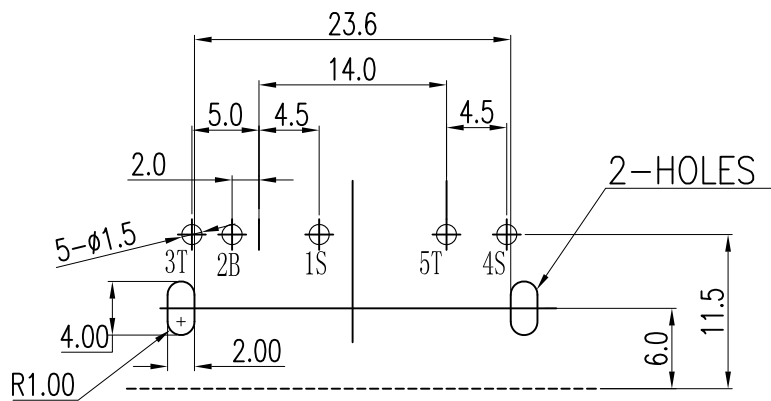
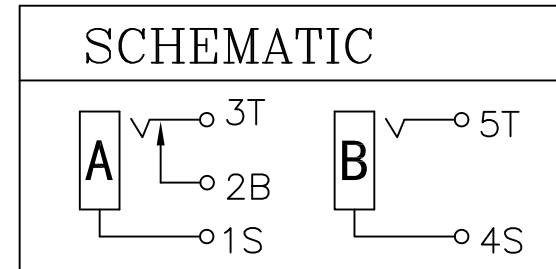


工程變更通知單號 ECN NO.	更改 REV	設變內容 MODIFICATION	日期 DATE	製圖 DRAW	核准 APPROVE
	A1	NEW DWG	2010.11.22	ANJOU	GIEVEN
	A2	修改LAYOUT尺寸	2011.11.10	ANJOU	GIEVEN



WASHER COLOR	
A(sw)	B



T:1.6 Dimensions of PC board holes

Tolerance : ±0.1(Printed-TOP view)

LEAD FREE

7	BREAK TERMINAL	1	C2680	t=0.4	MB:Cu Cu/Sn PLATED
6	SPRING TERMINAL	1	C5191	t=0.4	MB:Cu Cu/Sn PLATED
5	TERMINAL	1	C2680	t=0.4	MB:Cu Cu/Sn PLATED
4	GROUND TERMINAL	2	C2680	t=0.4	MB:Cu Cu/Sn PLATED
3	OUTER CONTACT	2	C2680	t=0.3	MB:Cu Cu/Sn PLATED
2	WASHER	2	PBT 4815		UL-94V0
1	HOUSING	1	PBT 4815		UL-94V0(BLACK)

-TOLERANCES- UNLESS OTHERWISE SPECIFIED 公差		SINGATRON U.S.A.						
				FILE NO: 文件編號:				
		TITLE: 產品名稱: PIN JACK		PRODUCT NO: 產品編號: 2PJ-W032-62C-H				
X.X ±0.25	X.X° ±3°	APPD: 核准:		DATE	SCALE	UNIT	TYPE	PAGE
X.XX ±0.15	X.XX° ±1°	CHECK: 校对:		2010.04.12	FREE	MM	F	1
X.XXX ±0.05	X.XXX° ±0.5°	DRAW: 繪制:						