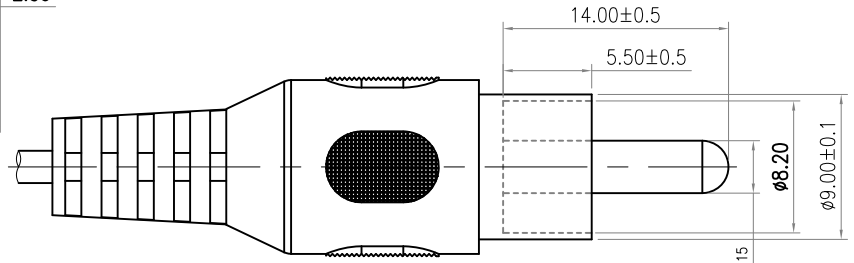
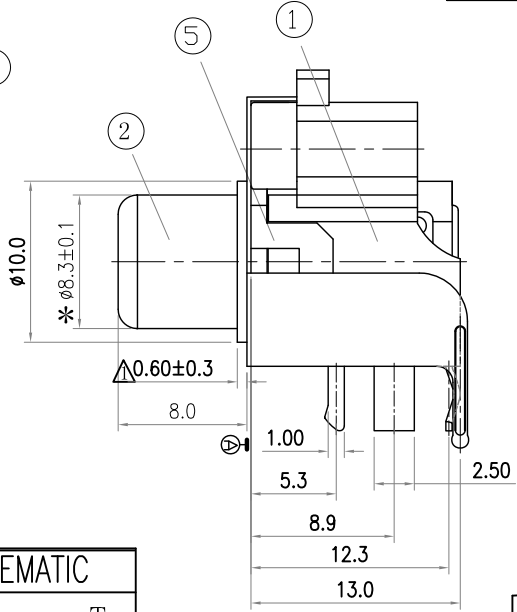
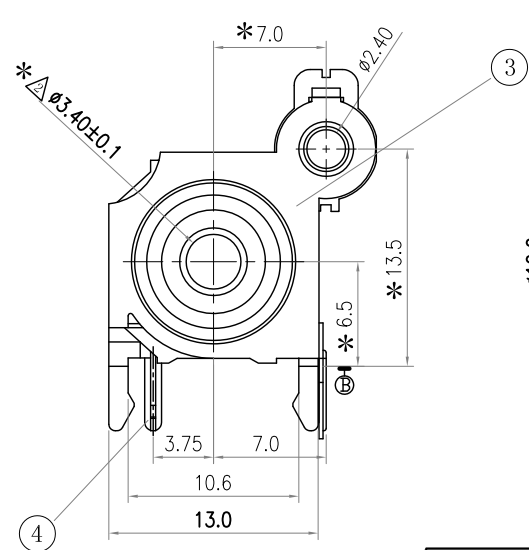


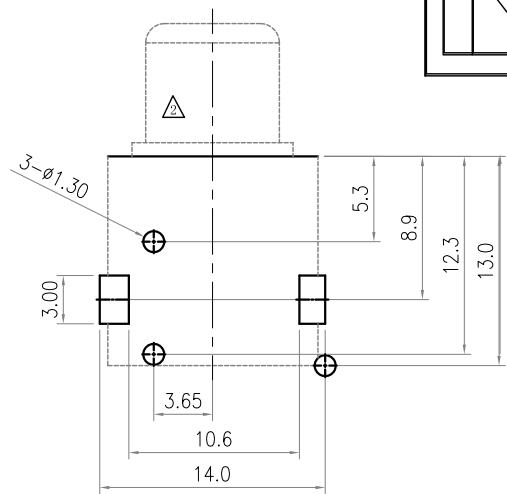
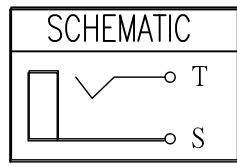
*: INDICATES THE KEY DIMENSIONS 【*为重點尺寸】

* REVISIONS

LTR	DESCRIPTION	DATE	REVISED	APPROVED
△X1	修改尺寸符合實物	2011.10.28	ANJOU	GIEVEN
△	圖面老舊, 現更新相關內容信息	2017.04.26	H.RP	GAOWEI



- Notes: △
- Electrical Characteristics:
 - 1-1. Rating : DC 12V 1 A ;
 - 1-2. Contact Resistance: 30mΩ Max.(Initial),
Between plug and contact 100mΩ Max;
(Final) After Life test: ≤60mΩ ;
 - 1-3. Dielectric Withstanding Voltage: 500V AC for One Minute ;
 - 1-4. Insulation Resistance: 100MΩ Min. Measured By 500 VDC;
 - Mechanical Characteristics:
 - 2-1. Plug Insertion Force 0.3~3.0Kgf (initial),
0.3~3.0Kgf (Final) life test;
 - 2-2. Plug Extraction Force: 0.3~3.0Kgf (initial),
0.3~3.0Kgf (Final) life test;
 - Durability Test: 500 Cycles min;
 - Operating temperature: -25°C ~ +70°C;
 - Soldering Heat Resistance Reflow Soldering 230°C;
 - Plug Interface Dimensions Conform To EIAJ RC-5231A Spec;
 - Packaging: Tray;



Recommend of PC Board Holes
Tolerance : ±0.05(Printed-Bottom view)

Table

MODEL	NO.	COLOR OF HOUSING
2PJ-W241V10		ORANGE

LEAD FREE

PLUG-REF △

LTR	PART NAME	QTY	MATFRIAL	RFMARK
5	COVER	1	ABS	UL-94HB(BLACK)
4	TERMINAL	1	C2680	MB:Cu Cu/Sn PLATED
3	TERMINAL	1	C2680	MB:Cu Cu/Sn PLATED
2	OUTER CONTACT	1	C2680	MB:Cu Cu/Sn PLATED
1	HOUSING	1	ABS	UL-94HB Color See Table

△ -TOLERANCES- UNLESS OTHERWISE SPECIFIED	
公差	
X.X ±0.30	X.X' ±3'
X.XX ±0.25	X.XX' ±1'
X.XXX ±0.20	

Singatron Enterprise Co., Ltd.

TITLE: PIN JACK

DWN HU LUN 2005.04.24 PART NO. 2PJ-W241V10

CHKD SAO WEI 2005.04.24 SCALE 1:1 UNIT: mm

APVD JACKY 2005.04.24 SIZE: A3 SHEET: 1 OF 1 REV: 003

CUSTOMER COPY