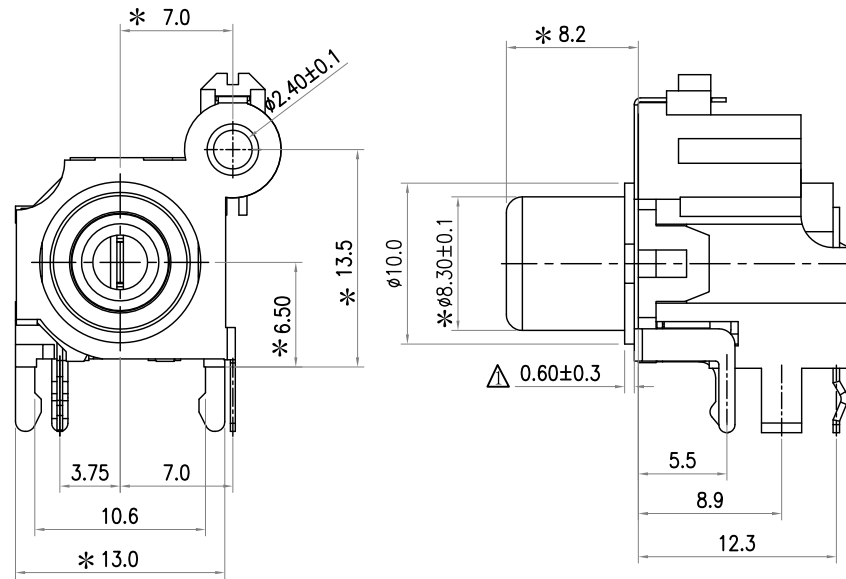


: INDICATES THE KEY DIMENSIONS ["" 為重點尺寸]

* REVISIONS

LTR	DESCRIPTION	DATE	REVISED	APPROVED
△X1	修改尺寸符合實物	2011.10.28	ANJOU	GIEVEN

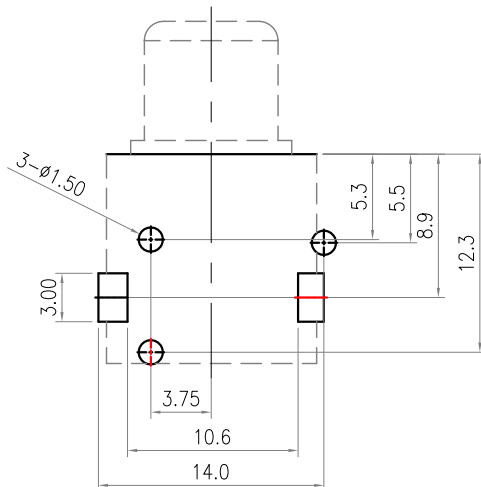


- Notes:
- Electrical Characteristics:
 - Rating : DC 12V 1 A ;
 - Contact Resistance: 30mΩ Max.(Initial),
Between plug and contact 100mΩ Max;
(Final) After Life test: ≤60mΩ ;
 - Dielectric Withstanding Voltage: 500V AC for One Minute ;
 - Insulation Resistance: 100MΩ Min. Measured By 500 VDC;
 - Mechanical Characteristics:
 - Plug Insertion Force 0.3~3.0Kgf (initial),
0.3~3.0Kgf (Final) life test;
 - Plug Extraction Force: 0.3~3.0Kgf (initial),
0.3~3.0Kgf (Final) life test;
 - Durability Test: 500 Cycles min;
 - Operating temperature: -25°C ~ +70°C;
 - Soldering Heat Resistance Reflow Soldering 230°C;
 - Plug Interface Dimensions Conform To EIAJ RC-5231A Spec;
 - Packaging: Tray;

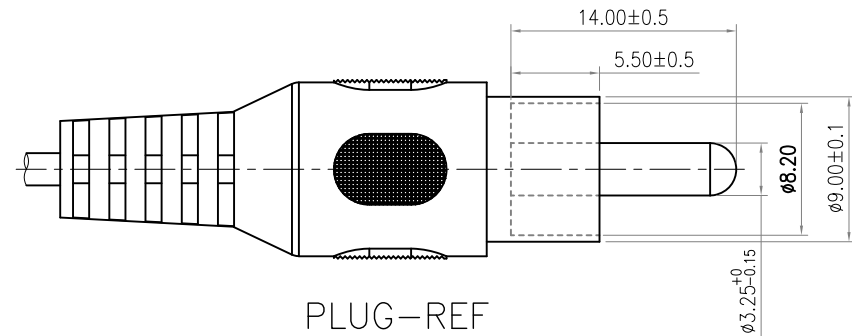
Table

MODEL NO.	COLOR OF HOUSING
2PJ-W241V20	ORANGE

SCHEMATIC	Diagram



Recommend of PC Board Holes
Tolerance : ±0.05(Printed-Bottom view)



PLUG-REF

LEAD FREE

LTR	PART NAME	QTY	MATERIAL	REMARK
5	SEALED PLATE	1	BRASS t=0.3	MB:Cu Cu/Sn PLATED
4	TERMINAL	1	BRASS t=0.3	MB:Cu Cu/Sn PLATED
3	OUTER CONTACT	1	BRASS t=0.3	MB:Cu Cu/Sn PLATED
2	COVER	1	ABS	UL-94HB(BLACK)
1	HOUSING	1	ABS	UL-94HB Color See Table

-TOLERANCES- UNLESS OTHERWISE SPECIFIED 公差	
X.X ±0.30	X.X' ±3'
X.XX ±0.25	X.XX' ±1'
X.XXX ±0.20	

Singatron Enterprise Co., Ltd.			
TITLE	PIN JACK		
DWN	HU LUN 2005.11.08	PART NO. 2PJ-W241V20	
CHKD	GAO WEI 2005.11.08	SCALE 1:1	UNIT: mm
APVD	JACKY 2005.11.08	SIZE: A3	SHEET: 1 OF 1 REV: 001
CUSTOMER COPY			