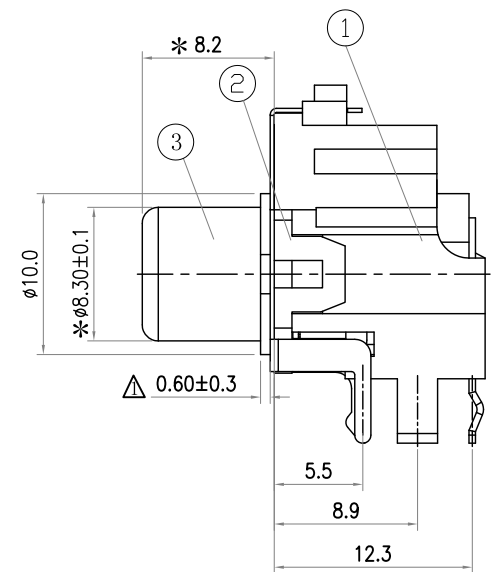
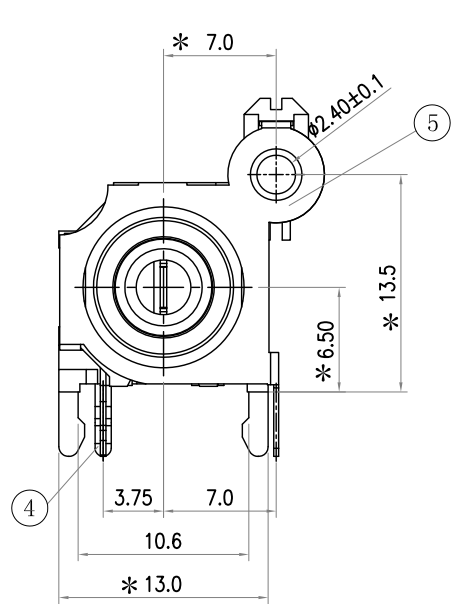
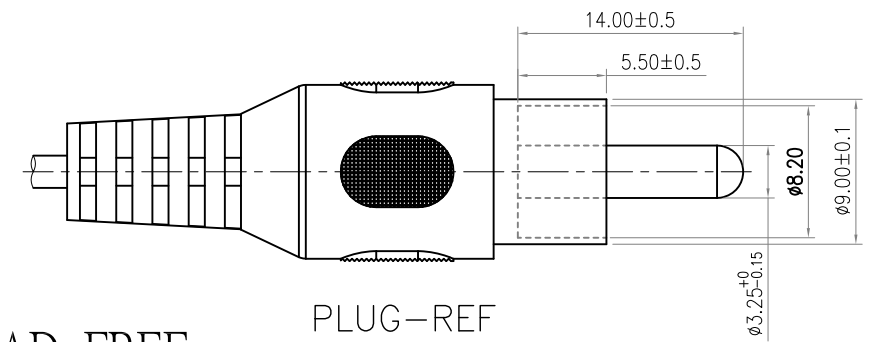


\*: INDICATES THE KEY DIMENSIONS [\*为重點尺寸]

* REVISIONS				
LTR	DESCRIPTION	DATE	REVISED	APPROVED
△X1	修改尺寸符合實物	2011.10.28	ANJOU	GIEVEN



- Notes:
- Electrical Characteristics:
    - 1-1. Rating : DC 12V 1A ;
    - 1-2. Contact Resistance: 30mΩ Max.(Initial),  
Between plug and contact 100mΩ Max;  
(Final) After Life test: ≤60mΩ ;
    - 1-3. Dielectric Withstanding Voltage: 500V AC for One Minute ;
    - 1-4. Insulation Resistance: 100MΩ Min. Measured By 500 VDC;
  - Mechanical Characteristics:
    - 2-1. Plug Insertion Force 0.3~3.0Kgf (initial),  
0.3~3.0Kgf (Final) life test;
    - 2-2. Plug Extraction Force: 0.3~3.0Kgf (initial),  
0.3~3.0Kgf (Final) life test;
  - Durability Test: 500 Cycles min;
  - Operating temperature: -25°C ~ +70°C;
  - Soldering Heat Resistance Reflow Soldering 230°C;
  - Plug Interface Dimensions Conform To EIAJ RC-5231A Spec;
  - Packaging: Tray;



Table"

MODEL	NO.	COLOR OF HOUSING
2PJ-W241V20GG		ORANGE

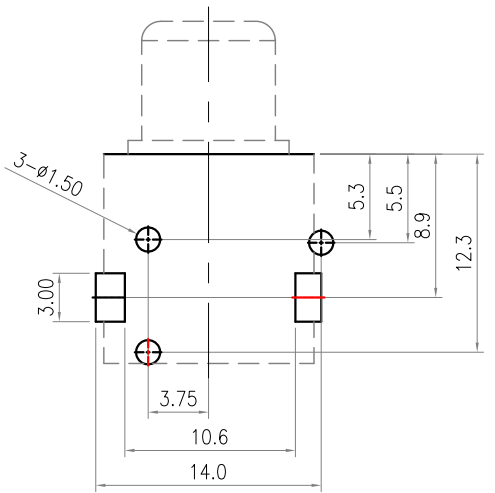
  

SCHEMATIC	
	T S

LEAD FREE

PLUG-REF

LTR	PART NAME	QTY	MATERIAL	REMARK
5	SEALED PLATE	1	BRASS t=0.3	MB:Cu Cu/Sn PLATED
4	TERMINAL	1	BRASS t=0.3	MB:Ni Gold Flash
3	OUTER CONTACT	1	BRASS t=0.3	MB:Ni Gold Flash
2	COVER	1	ABS	UL-94HB(BLACK)
1	HOUSING	1	ABS	UL-94HB Color See Table



Recommend of PC Board Holes  
Tolerance : ±0.05(Printed-Bottom view)

-TOLERANCES-  
UNLESS OTHERWISE SPECIFIED  
公差

X.X	±0.30	X.X'	±3°
X.XX	±0.25	X.XX'	±1°
X.XXX	±0.20		

Singatron Enterprise Co., Ltd.

TITLE	PIN JACK		
DWN	HJ LUN2005.11.08	PART NO.	2PJ-W241V20GG
CHKD	GAO WEI 2005.11.08	SCALE	1:1 UNIT: mm
APVD	JACKY2005.11.08	SIZE: A3	SHEET: 1 OF 1 REV: 001

CUSTOMER COPY