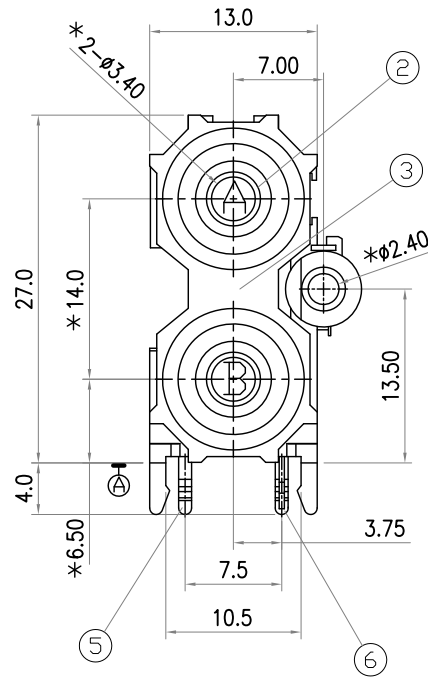
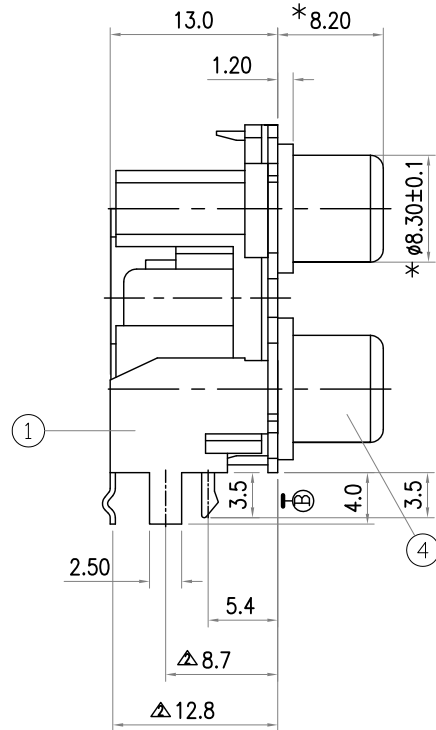
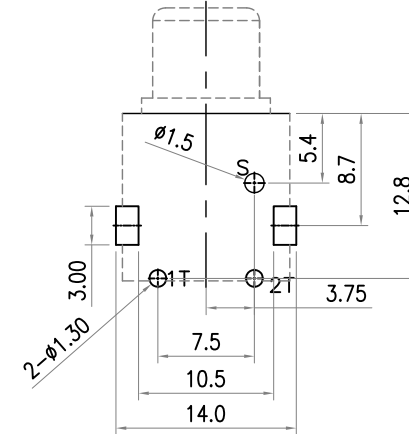


: INDICATES THE KEY DIMENSIONS [“”為重點尺寸]

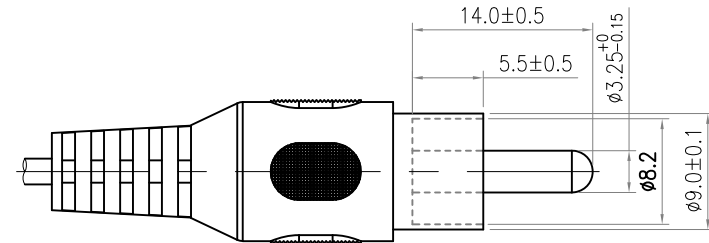


* REVISIONS

LTR	DESCRIPTION	DATE	REVISED	APPROVED
1	替換銅殼，以新機殼替換修改尺寸	2006.10.15	SPAIN	QI
2	因圖面老舊信息有誤，特此針對更新	2017.04.18	H.RP	GAOWEI



Recommend of PC Board Holes
Tolerance : ±0.05(Printed-Bottom view)



PLUG-REF

- Notes:
- Electrical Characteristics:
 - Rating : DC 12V 1 A ;
 - Contact Resistance: 30mΩ Max.(Initial),
Between plug and contact 100mΩ Max;
(Final) After Life test: ≤60mΩ ;
 - Dielectric Withstanding Voltage: 500V AC for One Minute ;
 - Insulation Resistance: 100MΩ Min. Measured By 500 VDC;
 - Mechanical Characteristics:
 - Plug Insertion Force 0.3~3.0Kgf (initial),
0.3~3.0Kgf (Final) life test;
 - Plug Extraction Force: 0.3~3.0Kgf (initial),
0.3~3.0Kgf (Final) life test;
 - Durability Test: 500 Cycles min;
 - Operating temperature:-25°C ~ +70°C;
 - Soldering Heat Resistance Reflow Soldering 230°C;
 - Plug Interface Dimensions Conform To EIAJ RC-5231A Spec;
 - Packaging:Tray;

Table”

2PJ-W242V-01		
COLOR	A	WHITE
	B	RED
SCHEMATIC	A	2T
	B	1T S

LEAD FREE

6	TERMINAL	1	BRASS	MB:NI	CuSn	PLATED
5	TERMINAL	1	BRASS	MB:NI	CuSn	PLATED
4	OUTER CONTACT	1	BRASS	MB:NI	CuSn	PLATED
3	COVER	1	ABS			UL-94HB(BLACK)
2	WASHER	1	ABS			UL-94HB Color See Table
1	HOUSING	1	ABS			UL-94HB(BLACK) Δ
LTR	PART NAME	QTY	MATERIAL	REMARK		

-TOLERANCES- UNLESS OTHERWISE SPECIFIED 公差		Singatron Enterprise Co., Ltd.			
X.X	±0.30	X.X'	±3"	TITLE PIN JACK	
X.XX	±0.25	X.XX'	±1"	DWN	SPAIN 2006.02.13
X.XXX	±0.20			CHKD	QI 2006.02.13
				APVD	JACKY 2006.02.14
				PART NO. 2PJ-W242V-01	
				SCALE 1:1	UNIT: mm
				SIZE: A3	SHEET:1 OF 1
				REV: 002	
CUSTOMER COPY					