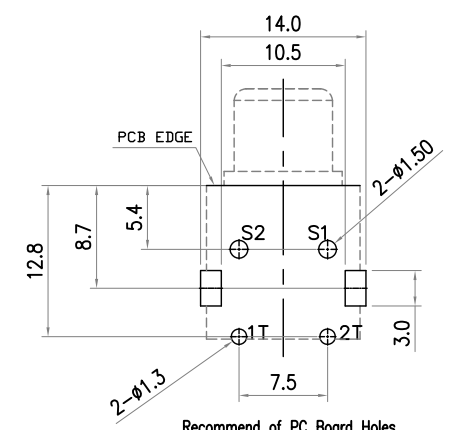
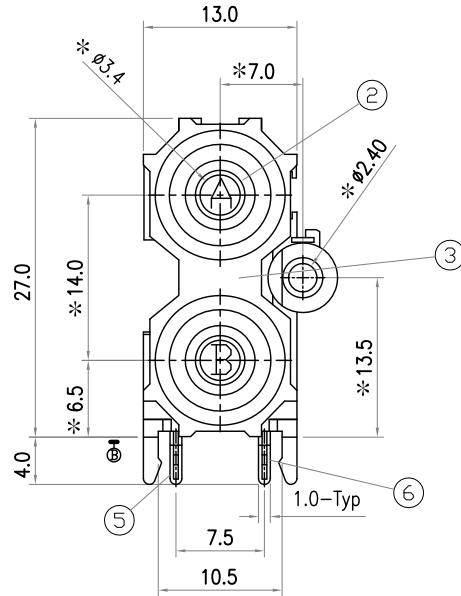
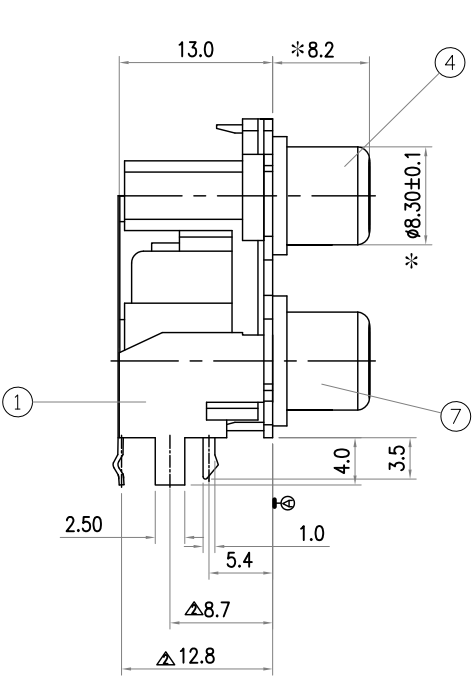
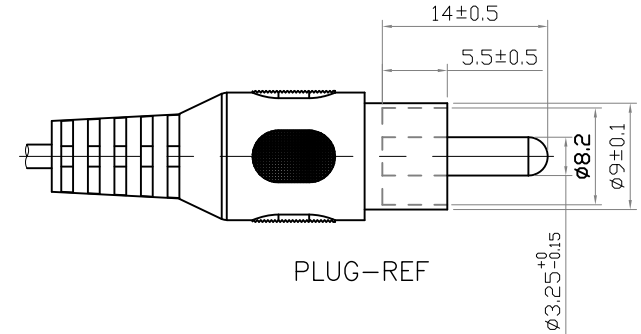


: INDICATES THE KEY DIMENSIONS [“”為重點尺寸]

* REVISIONS				
LTR	DESCRIPTION	DATE	REVISED	APPROVED
1	替換銅層, 以新模煇替換修改尺寸	2006.10.15	SPAIN	QI
2	因圖面老舊信息有誤, 特此針對更新	2017.04.18	H.RP	GAOWEI



Recommend of PC Board Holes
Tolerance : ±0.05(Printed-Top view)



- Notes:
- Electrical Characteristics:
 - Rating : DC 12V 1 A ;
 - Contact Resistance: 30mΩ Max.(Initial),
Between plug and contact 100mΩ Max;
(Final) After Life test: ≤60mΩ ;
 - Dielectric Withstanding Voltage: 500V AC for One Minute ;
 - Insulation Resistance: 100MΩ Min. Measured By 500 VDC;
 - Mechanical Characteristics:
 - Plug Insertion Force 0.3~3.0Kgf (initial),
0.3~3.0Kgf (Final) life test;
 - Plug Extraction Force: 0.3~3.0Kgf (initial),
0.3~3.0Kgf (Final) life test;
 - Durability Test: 500 Cycles min;
 - Operating temperature:-25°C ~ +70°C;
 - Soldering Heat Resistance Reflow Soldering 230°C;
 - Plug Interface Dimensions Conform To EIAJ RC-5231A Spec;
 - Packaging:Tray;

Table”

2PJ-W242VS-01		
COLOR	A	WHITE
	B	RED
SCHEMATIC	A	○2T
		○S1
	B	○1T
		○S2

LEAD FREE

7	OUTER CONTACT	1	C2680	t=0.4	MB:Cu Cu/Sn PLATED
6	TERMINAL	1	C2680	t=0.4	MB:Cu Cu/Sn PLATED
5	TERMINAL	1	C2680	t=0.4	MB:Cu Cu/Sn PLATED
4	OUTER CONTACT	1	C2680	t=0.4	MB:Cu Cu/Sn PLATED
3	COVER	1	ABS		UL-94HB(BLACK)
2	WASHER	1	ABS		UL-94HB Color See Table
1	HOUSING	1	ABS		UL-94HB(BLACK) ▲
LTR	PART NAME	QTY	MATERIAL	REMARK	

-TOLERANCES-	
UNLESS OTHERWISE SPECIFIED	
公差	
X.X ±0.30	X.X" ±3"
X.XX ±0.25	X.XX" ±1"
X.XXX ±0.20	

Singatron Enterprise Co., Ltd.			
TITLE	PIN JACK		
DWN	DU LUN 2006.01.15	PART NO. 2PJ-W242VS-01	
CHKD	GAO WEI 2006.01.15	SCALE 1:1	UNIT: mm
APVD	JACKY 2006.01.15	SIZE: A3	SHEET:1 OF 1 REV: 002
CUSTOMER COPY			