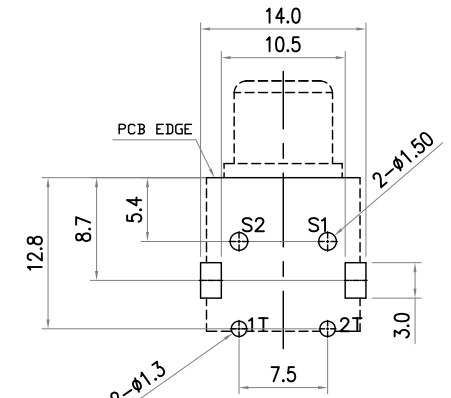
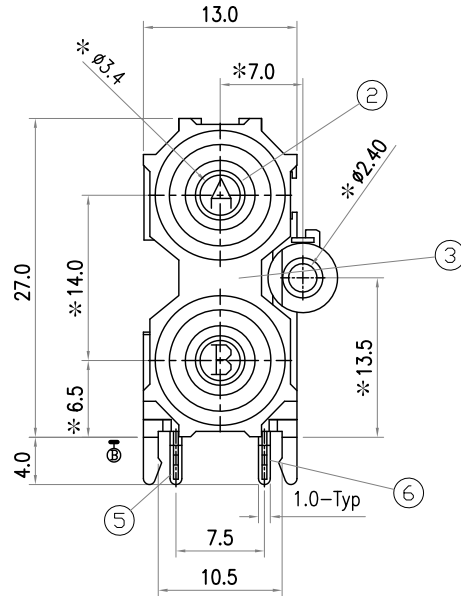
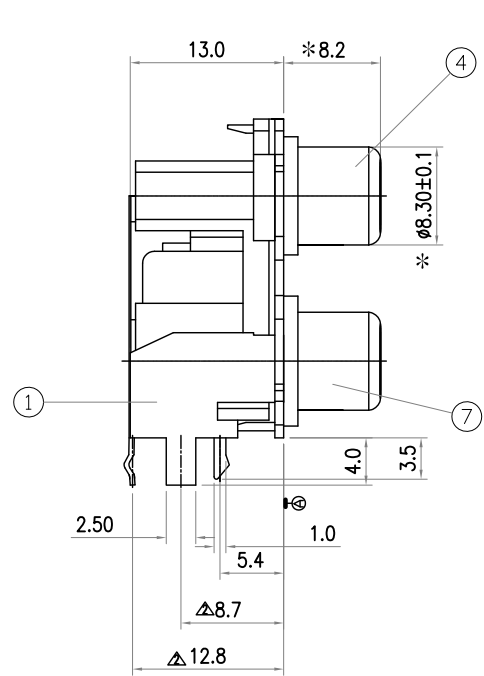
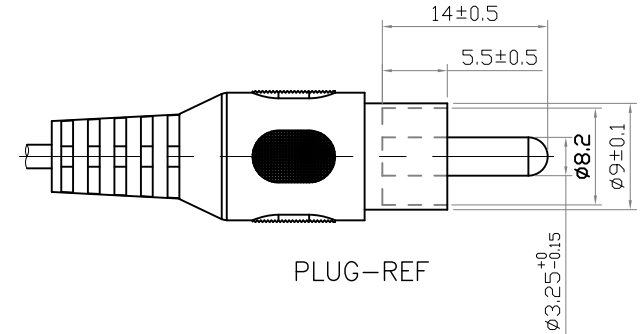


*: INDICATES THE KEY DIMENSIONS [*为重點尺寸]

* REVISIONS				
LTR	DESCRIPTION	DATE	REVISED	APPROVED
1	舊模修整, 以新模換舊模修改尺寸	2006.10.15	SPAIN	QI
2	因圖面老舊信息有誤, 特此針對更新	2017.04.18	H.RP	GAOWEI



Recommend of PC Board Holes
Tolerance : ±0.05(Printed-Top view)



- Notes:
- Electrical Characteristics:
 - Rating : DC 12V 1 A ;
 - Contact Resistance: 30mΩ Max.(Initial),
Between plug and contact 100mΩ Max;
(Final) After Life test: ≤60mΩ ;
 - Dielectric Withstanding Voltage: 500V AC for One Minute ;
 - Insulation Resistance: 100MΩ Min. Measured By 500 VDC;
 - Mechanical Characteristics:
 - Plug Insertion Force 0.3~3.0Kgf (initial),
0.3~3.0Kgf (Final) life test;
 - Plug Extraction Force: 0.3~3.0Kgf (initial),
0.3~3.0Kgf (Final) life test;
 - Durability Test: 500 Cycles min;
 - Operating temperature:-25°C ~ +70°C;
 - Soldering Heat Resistance Reflow Soldering 230°C;
 - Plug Interface Dimensions Conform To EIAJ RC-5231A Spec;
 - Packaging:Tray;

Table"

2PJ-W242VS-03		
COLOR	A	WHITE
	B	RED
SCHEMATIC	A	○ 2T
		○ S1
	B	○ 1T
		○ S2

7	OUTER CONTACT	1	C2680	t=0.4	MB:Cu Gold Flash
6	TERMINAL	1	C2680	t=0.4	MB:Cu Cu/Sn PLATED
5	TERMINAL	1	C2680	t=0.4	MB:Cu Cu/Sn PLATED
4	OUTER CONTACT	1	C2680	t=0.4	MB:Cu Gold Flash
3	COVER	1	ABS		UL-94HB(BLACK)
2	WASHER	1	ABS		UL-94HB Color See Table
1	HOUSING	1	ABS		UL-94HB(BLACK) Δ

LTR	PART NAME	QTY	MATERIAL	REMARK
-TOLERANCES- UNLESS OTHERWISE SPECIFIED 公差				
X.X	±0.30	X.X"	±3°	
X.XX	±0.25	X.XX"	±1°	
X.XXX	±0.20			

Singatron Enterprise Co., Ltd.

TITLE	PIN JACK		
DWN	THU LIN 2006.01.13	PART NO. 2PJ-W242VS-03	
CHKD	GAOWEI 2006.01.13	SCALE 1:1	UNIT: mm
APVD	JACKY 2006.01.13	SIZE: A3	SHEET: 1 OF 1 REV: 002
CUSTOMER COPY			

LEAD FREE