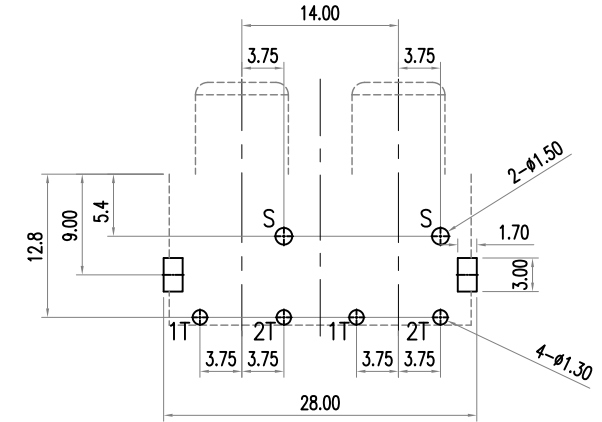
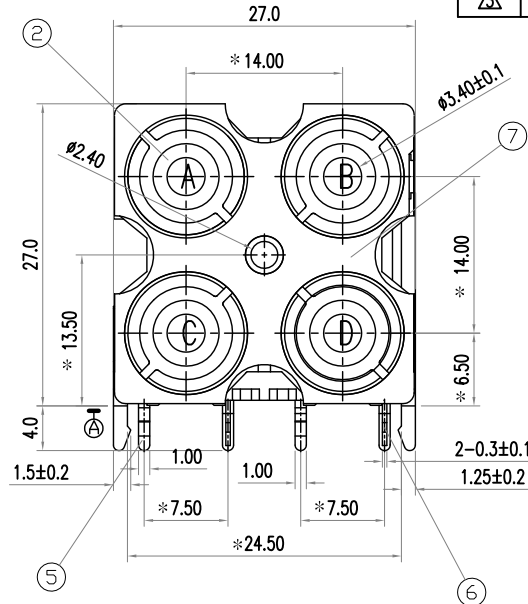
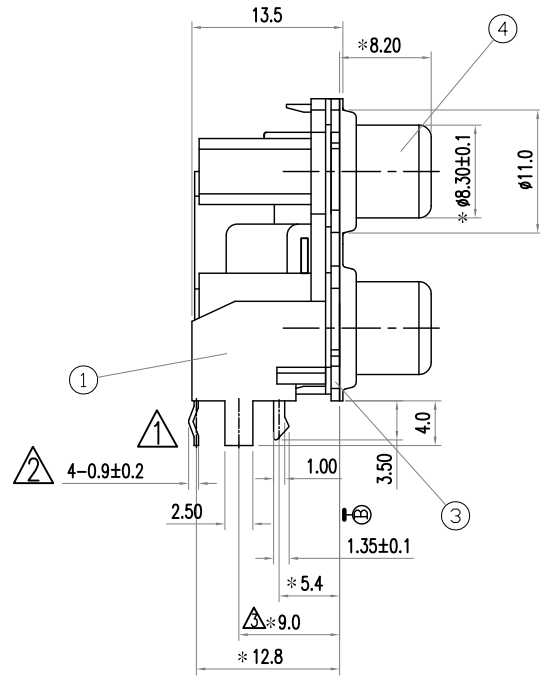


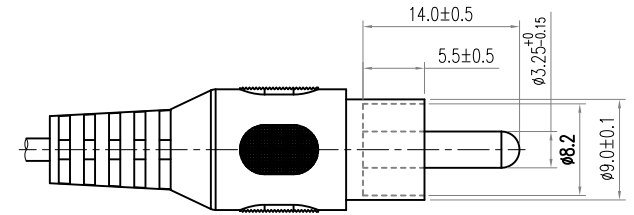
\*: INDICATES THE KEY DIMENSIONS [“\*”為重點尺寸]

\* REVISIONS

| LTR | DESCRIPTION                     | DATE       | REVISED | APPROVED |
|-----|---------------------------------|------------|---------|----------|
| △   | △ pin腳作圖不標準.                    | 2006.12.27 | hulun   | gaowei   |
| △   | 將PIN尺寸0.8+/-0.1改為0.9+/-0.2 符合現品 | 2008.06.11 | ANJOU   | GIEVEN   |
| △   | 將PIN尺寸8.75改為9.0 符合現品            | 2015.07.21 | H.RP    | GAOWEI   |



Recommend of PC Board Holes  
Tolerance : ±0.05(Bottom view)



PLUG-REF

Table

| SCHEMATIC DIAGRAM |    | 2PJ-W244V11-01H |       |
|-------------------|----|-----------------|-------|
| A                 | 2T | A               | B     |
| B                 | 2T | C               | D     |
| C                 | 1T | WHITE           | WHITE |
| D                 | 1T | RED             | RED   |

- Notes:
- Electrical Characteristics:
    - 1-1.Rating : DC 12V 1 A ;
    - 1-2.Contact Resistance: 30mΩ Max.(Initial),  
Between plug and contact 100mΩ Max;  
(Final) After Life test: ≤60mΩ ;
    - 1-3.Dielectric Withstanding Voltage: 500V AC for One Minute ;
    - 1-4. Insulation Resistance: 100MΩ Min. Measured By 500 VDC;
  - Mechanical Characteristics:
    - 2-1. Plug Insertion Force 0.3~3.0Kgf (initial),  
0.3~3.0Kgf (Final) life test;
    - 2-2. Plug Extraction Force: 0.3~3.0Kgf (initial),  
0.3~3.0Kgf (Final) life test;
  - Durability Test: 500 Cycles min;
  - Operating temperature:-25°C ~ +70°C;
  - Soldering Heat Resistance Wave soldering 230°C;
  - Plug Interface Dimensions Conform To EIAJ RC-5231A Spec;
  - Packaging:Tray;

|   |               |   |              |                          |
|---|---------------|---|--------------|--------------------------|
| 7 | SEALED PLATE  | 1 | C2680 t=0.25 | CuSn PLATED              |
| 6 | TERMINAL      | 2 | C2680 t=0.40 | CuSn PLATED              |
| 5 | TERMINAL      | 2 | C2680 t=0.40 | CuSn PLATED              |
| 4 | OUTER CONTACT | 2 | C2680 t=0.30 | CuSn PLATED              |
| 3 | COVER         | 2 | ABS          | UL-94HB(BLACK)           |
| 2 | WASHER        | 4 | PBT          | UL-94V0 Color See Table* |
| 1 | HOUSING       | 1 | PBT          | UL-94V0(BLACK)           |

| LTR  | PART NAME | QTY   | MATERIAL | REMARK |
|--|-----------|-------|----------|--------|
| -TOLERANCES-<br>UNLESS OTHERWISE SPECIFIED<br>公差 |           |       |          |        |
| X.X  | ±0.38     | X.X"  | ±3°      |        |
| X.XX   | ±0.30     | X.XX" | ±1°      |        |
| X.XXX  | ±0.20     |       |          |        |

Singatron Enterprise Co., Ltd.

TITLE: PIN JACK

DWN: ANJOU 2008.1.15 PART NO. 2PJ-W244V11-01H

CHKD: ANJOU 2008.1.15 SCALE 1:1 UNIT: mm

APVD: GIEVEN 2008.1.15 SIZE: A3 SHEET:1 OF 1 REV:004

**CUSTOMER COPY**

LEAD FREE