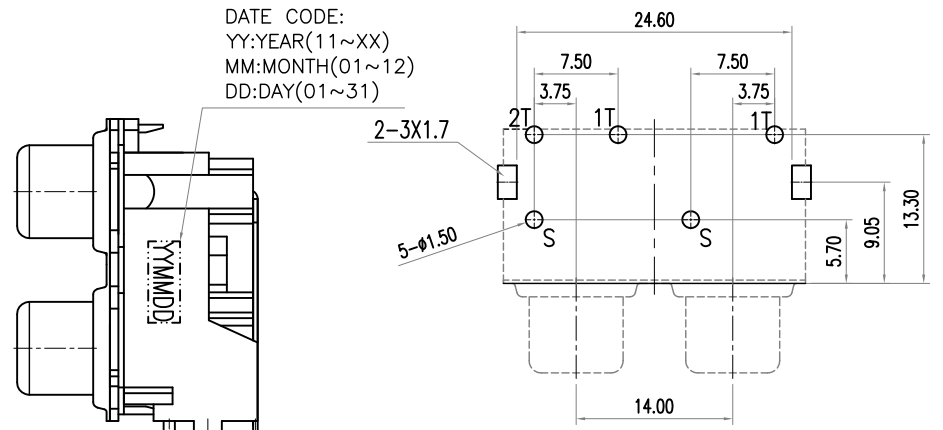
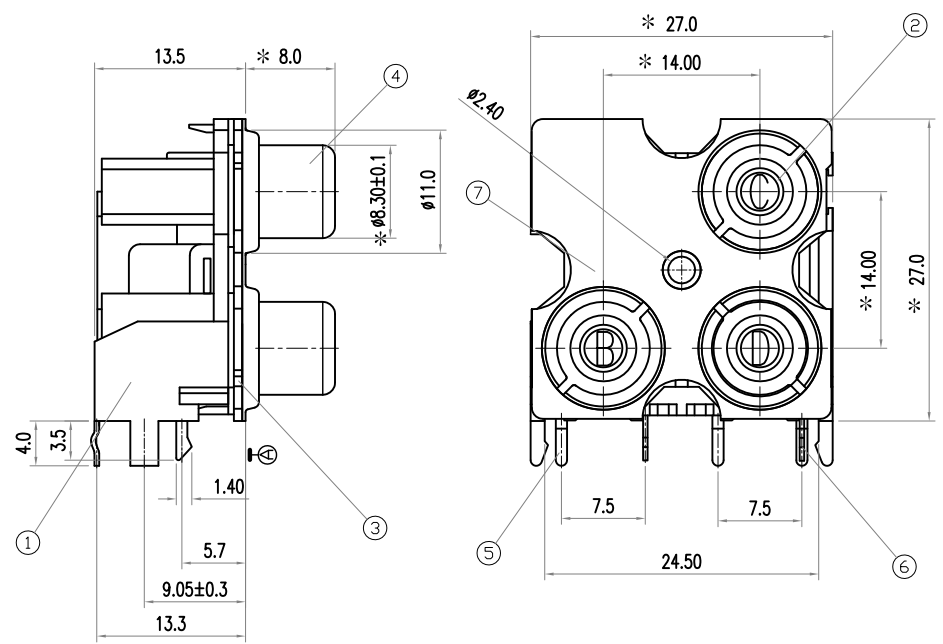
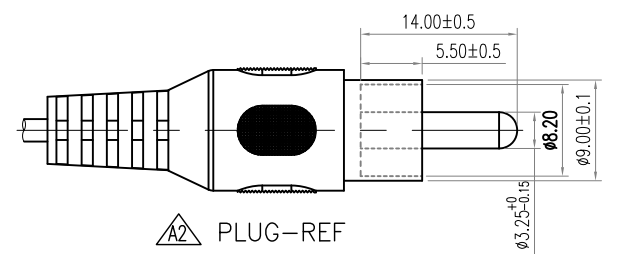


*: INDICATES THE KEY DIMENSIONS [*为重點尺寸]

* REVISIONS				
LTR	DESCRIPTION	DATE	REVISED	APPROVED
A2	圖面更新规范化	2016.12.27	H.RP	GAOWEI



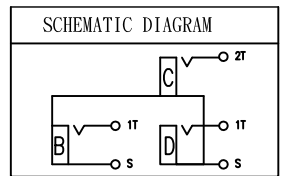
Recommend of PC Board Holes
Tolerance : ±0.05(Bottom view)



PLUG-REF

Table*

WSP-244V15-05H			
TYPE	C	D	
	B		
COLOR	GREEN	RED	
	BLUE		



Notes:

- Electrical Characteristics:
 - 1-1. Rating : DC 12V 1A ;
 - 1-2. Contact Resistance: 30mΩ Max.(Initial), Between plug and contact 100mΩ Max; (Final) After Life test: ≤60mΩ ;
 - 1-3. Dielectric Withstanding Voltage: 500V AC for One Minute ;
 - 1-4. Insulation Resistance: 100MΩ Min. Measured By 500 VDC;
- Mechanical Characteristics:
 - 2-1. Plug Insertion Force 0.3~3.0Kgf (initial), 0.3~3.0Kgf (Final) life test;
 - 2-2. Plug Extraction Force: 0.3~3.0Kgf (initial), 0.3~3.0Kgf (Final) life test;
- Durability Test: 500 Cycles min;
- Operating temperature: -25°C ~ +70°C;
- Soldering Heat Resistance Wave soldering 230°C;
- Plug Interface Dimensions Conform To EIAJ RC-5231A Spec;
- Packaging: xxxxxxxx;

LEAD FREE

LTR	PART NAME	QTY	MATERIAL	REMARK
7	SEALED PLATE	1	C2680 t=0.3	MB:Cu Cu/Sn PLATED
6	TERMINAL	1	C2680 t=0.3	MB:Cu Cu/Sn PLATED
5	TERMINAL	2	C2680 t=0.3	MB:Cu Cu/Sn PLATED
4	OUTER CONTACT	2	C2680 t=0.3	MB:Cu Cu/Sn PLATED
3	COVER	2	ABS	UL-94HB
2	WASHER	3	PBT	UL-94V0 Color See Table*
1	HOUSING	1	PBT	UL-94V0(BLACK)

-TOLERANCES- UNLESS OTHERWISE SPECIFIED				
	公差	TITLE	Singatron Enterprise Co., Ltd.	
X.X	±0.38	X.XX	±3'	PIN JACK PART NO. 2PJ-W244V15-05H SCALE 1:1 UNIT: mm SIZE: A3 SHEET: 1 OF 1 REV: 002
X.XX	±0.30	X.XXX	±1'	
X.XXX	±0.20			
CUSTOMER COPY				