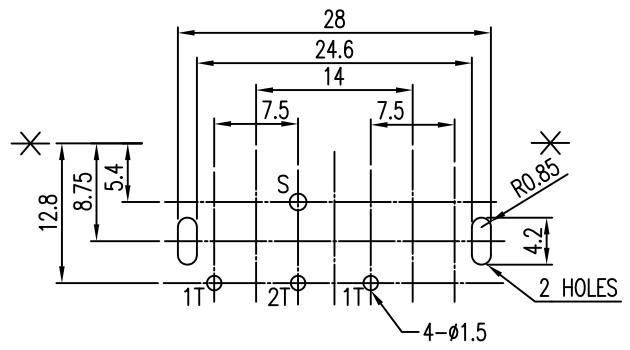
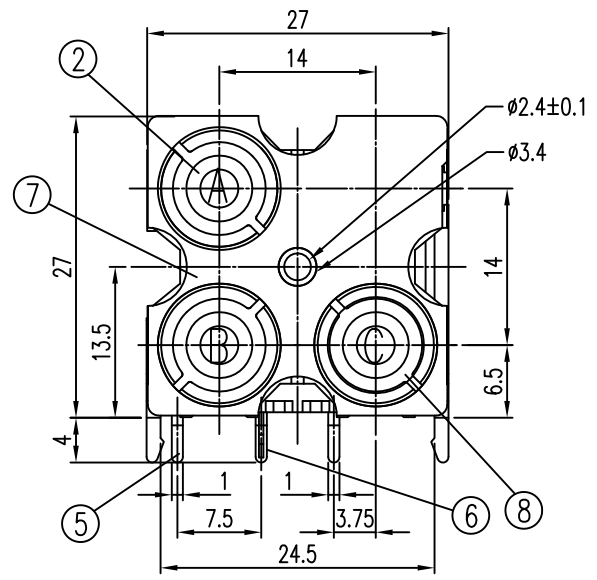
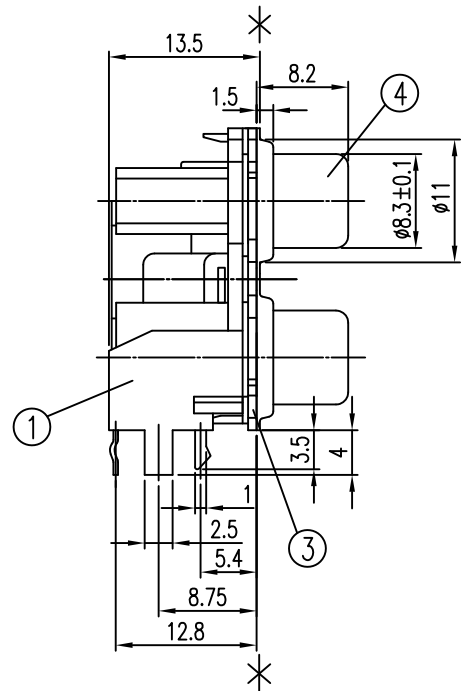


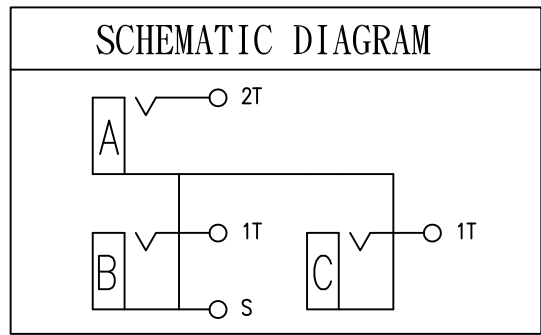
* REVISIONS				
LTR	DESCRIPTION	DATE	REVISED	APPROVED



T:1.6 Dimensions of PC board holes
Tolerance : ±0.1(Printed-bottom view)

UNLESS OTHERWISE SPECIFIED, TOLERANCE ON DECIMAL: ±0.3

2PJ-W244V16		
TYPE	A	
	B	C
WASHER COLOR		



8	OUTER CONTACT	1	C2680	t=0.4	MB:Cu	Cu/Sn	PLATED
7	SEALED PLATE	1	C2680	t=0.3	MB:Cu	Cu/Sn	PLATED
6	TERMINAL	2	C2680	t=0.4	MB:Cu	Cu/Sn	PLATED
5	TERMINAL	2	C2680	t=0.4	MB:Cu	Cu/Sn	PLATED
4	OUTER CONTACT	1	C2680	t=0.4	MB:Cu	Cu/Sn	PLATED
3	COVER	2	ABS		UL-94HB		(BLACK)
2	WASHER	4	ABS		UL-94HB		
1	HOUSING	1	ABS		UL-94HB		(BLACK)
LTR	PART NAME	QTY	MATERIAL	REMARK			

Singatron Enterprise Co., Ltd.

TITLE	PIN JACK		
DWN	HU JUN 2006.03.15	PART NO.	2PJ-W244V16
CHKD	GAO WFL 2006.03.15	SCALE	1:1 UNIT: mm
APVD	JACKY 2006.03.15	SIZE	A3 SHEET:1 OF 1 REV:001
CUSTOMER COPY			

LEAD FREE