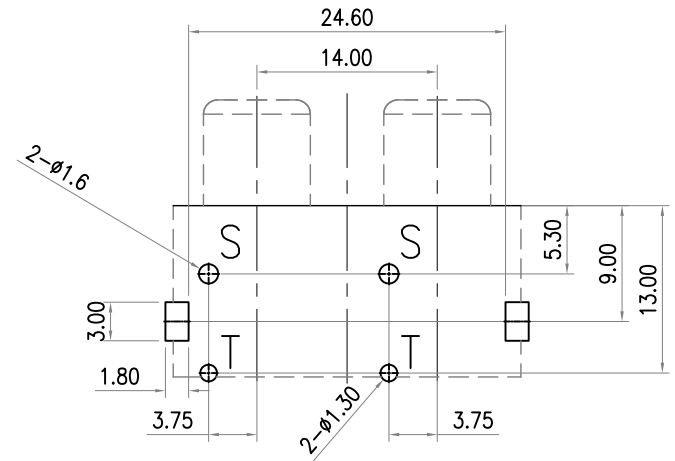
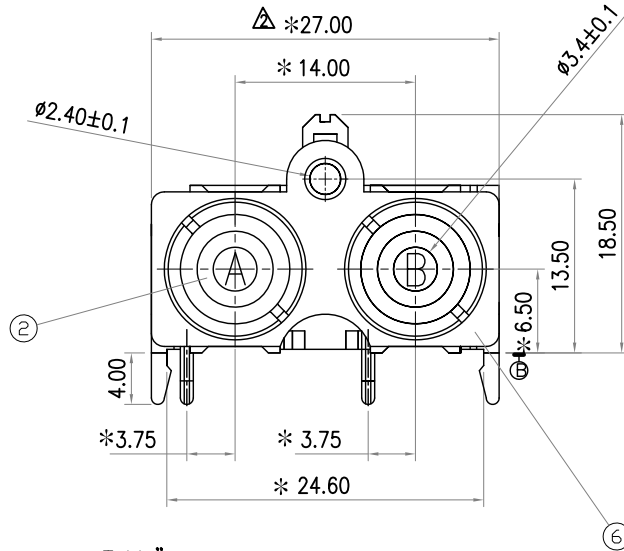
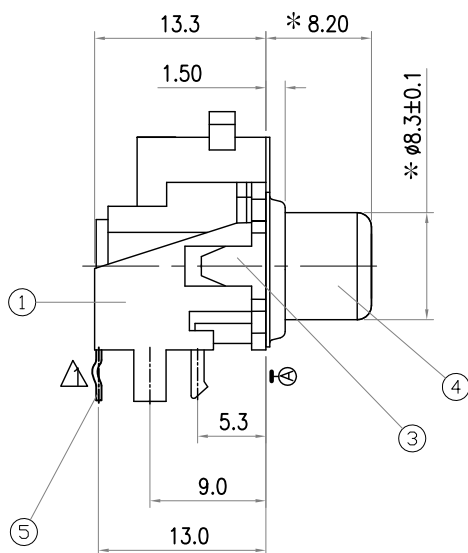
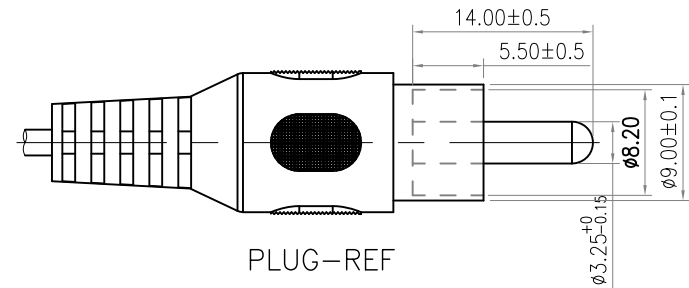


\*: INDICATES THE KEY DIMENSIONS [\*为重點尺寸]

REVISIONS				
LTR	DESCRIPTION	DATE	REVISED	APPROVED
001	△ pin腳鍍法不標準	2007.03.16	hulun	gaowei
002	△X3 更改材料厚度以與實際相符	2009.05.06	SIMON	STEVEN



Recommend of PC Board Holes  
Tolerance : ±0.05(Bottom view)



Table

SCHEMATIC		
WASHER COLOR	A	RED
	B	WHITE

Notes:

- Electrical Characteristics:
  - Rating : DC 12V 1 A ;
  - Contact Resistance: 30mΩ Max.(Initial),  
Between plug and contact 100mΩ Max;  
(Final) After Life test: ≤60mΩ ;
  - Dielectric Withstanding Voltage: 500V AC for One Minute ;
  - Insulation Resistance: 100MΩ Min. Measured By 500 VDC;
- Mechanical Characteristics:
  - Plug Insertion Force 0.3~3.0Kgf (initial),  
0.3~3.0Kgf (Final) life test;
  - Plug Extraction Force: 0.3~3.0Kgf (initial),  
0.3~3.0Kgf (Final) life test;
- Durability Test: 500 Cycles min;
- Operating temperature:-25°C ~ +70°C;
- Soldering Heat Resistance Wave soldering 230°C;
- Plug Interface Dimensions Conform To EIAJ RC-5231A Spec;
- Packaging:Tray;

SP

LEAD FREE

6	SEALED PLATE	1	C2680	t=0.3	CuSn PLATED
5	TERMINAL	2	C2680	t=0.4 △	CuSn PLATED
4	OUTER CONTACT	2	C2680	t=0.3 △	Gold Flash
3	COVER	1	ABS		UL-94HB BLACK
2	WASHER	2	PBT		UL-94V0 Color See Table
1	HOUSING	1	PBT		UL-94V0 BLACK

LTR	PART NAME	QTY	MATERIAL	REMARK
-TOLERANCES- UNLESS OTHERWISE SPECIFIED 公差				
Singatron Enterprise Co., Ltd.				
TITLE PIN JACK				
X.X	±0.38	X.X'	±3'	DWN HU LUN 2006.02.13 PART NO. 2PJ-W252V1-08H
X.XX	±0.30	X.XX'	±1'	CHKD GAO WEI 2006.02.13 SCALE 1:1 UNIT: mm
X.XXX	±0.25			APVD JACKY 2006.02.13 SIZE: A3 SHEET:1 OF 1 REV:002
CUSTOMER COPY				