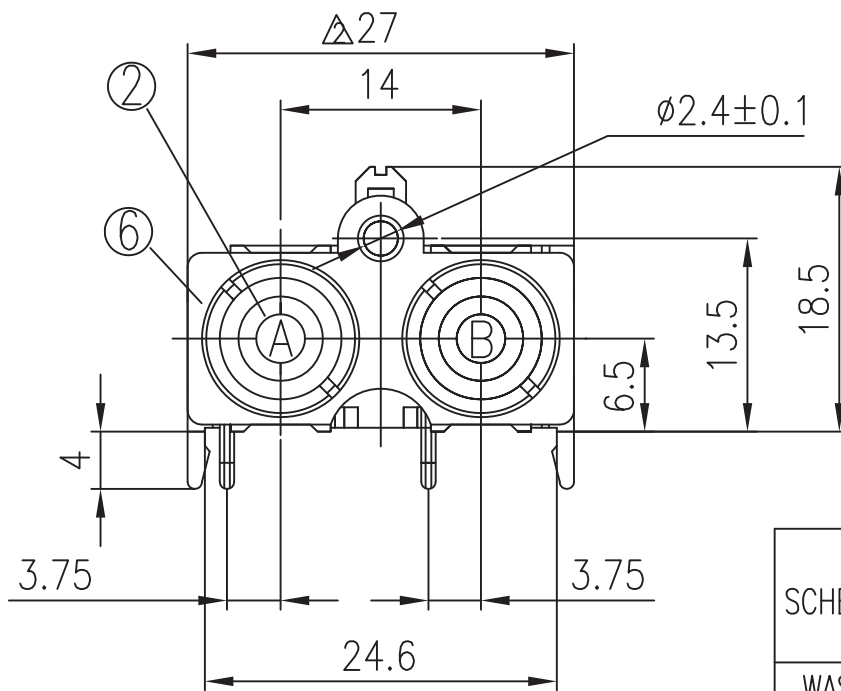
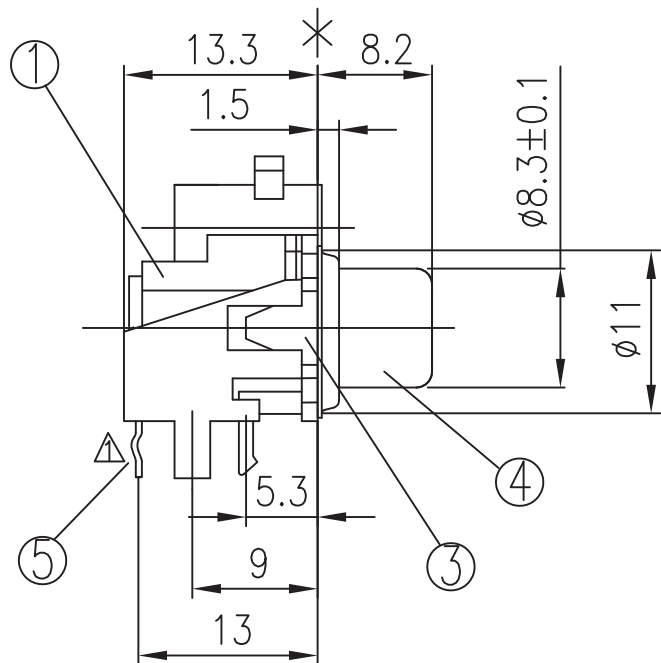
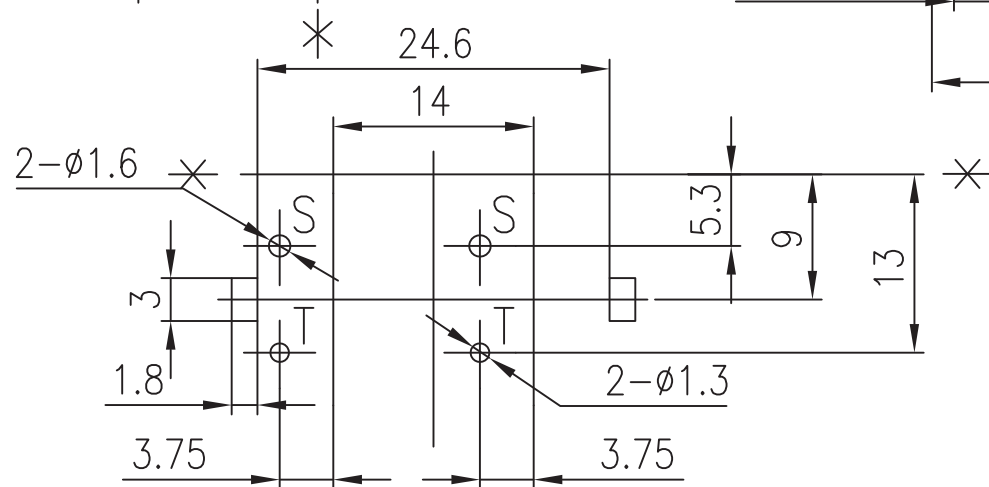


REVISIONS

LTR	DESCRIPTION	DATE	REVISED	APPROVED
1	△ pin腳畫法不標準	2007.3.16	hulun	gaowei
2	△ 圖面標示錯誤,現重新確認后標示為27	2007.12.04	xiechunping	gaowei
003	△ 更改材料厚度以與實際相符	2009.05.06	SIMON	STEVEN



SCHEMATIC		
WASHER COLOR	A	
	B	



T:1.6 Dimensions of PC board holes  
Tolerance : ±0.1(Printed-bottom view)

LEAD FREE

6	SEALED PLATE	1	C2680	t=0.3	MB:Cu Cu/Sn PLATED
5	TERMINAL	2	C2680	t=0.4 △	MB:Cu Cu/Sn PLATED
4	OUTER CONTACT	2	C2680	t=0.3	MB:Cu Cu/Sn PLATED
3	COVER	1	ABS		UL-94HB(BLACK)
2	WASHER	2	PBT		UL-94V0
1	HOUSING	1	PBT		UL-94V0(BLACK)

LTR	PART NAME			QTY	MATERIAL	REMARK
DWN	HU	LUN	DATE	2006.02.13	3RD ANGLE PROJECTION	NAME PIN JACK
CHKD	GAO	WEI	DATE	2006.02.13	UNIT: mm	CAT. NO. 2PJ-W252V1_H
APVD	JACKY		DATE	2006.02.13		DWN.NO. 06-252V1
SINGATRON U.S.A.						003

UNLESS OTHERWISE SPECIFIED, TOLERANCE ON DECIMAL: ±0.3