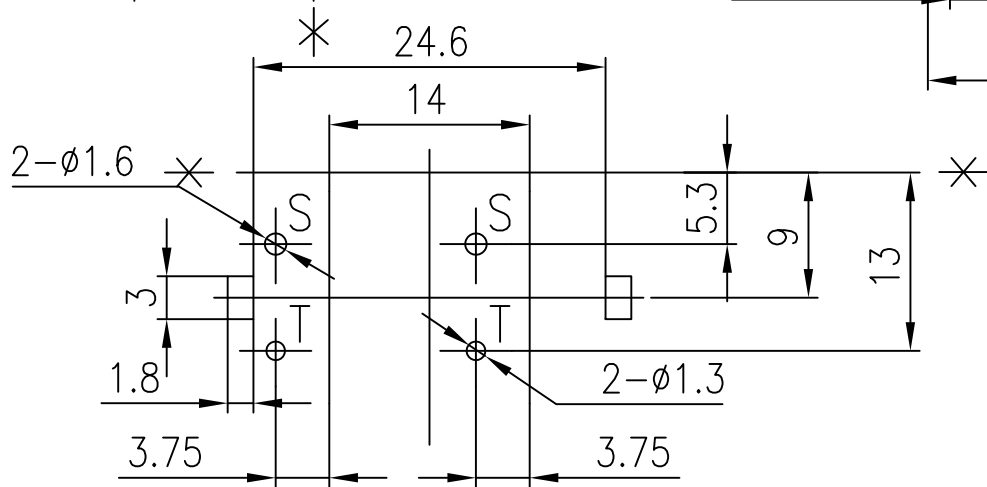
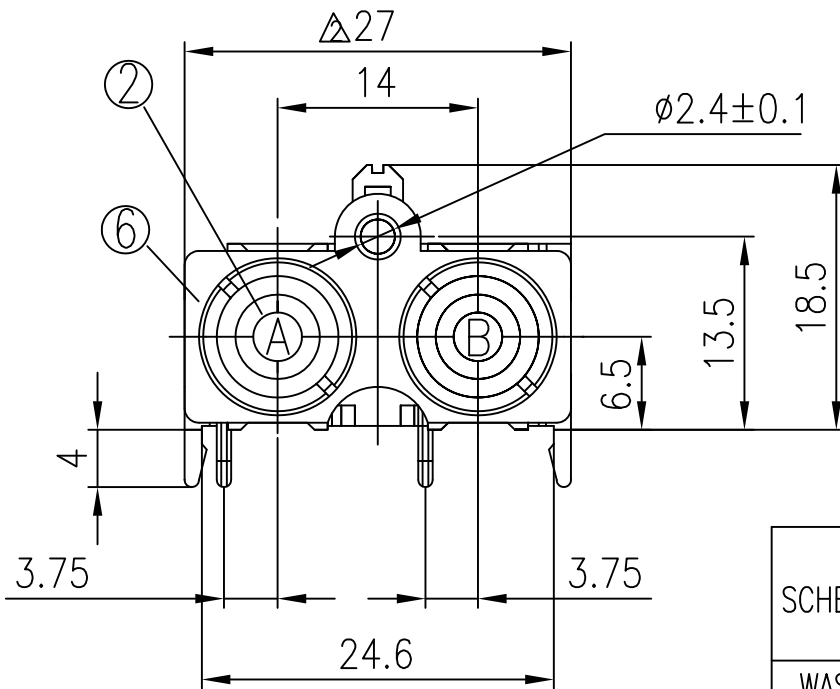
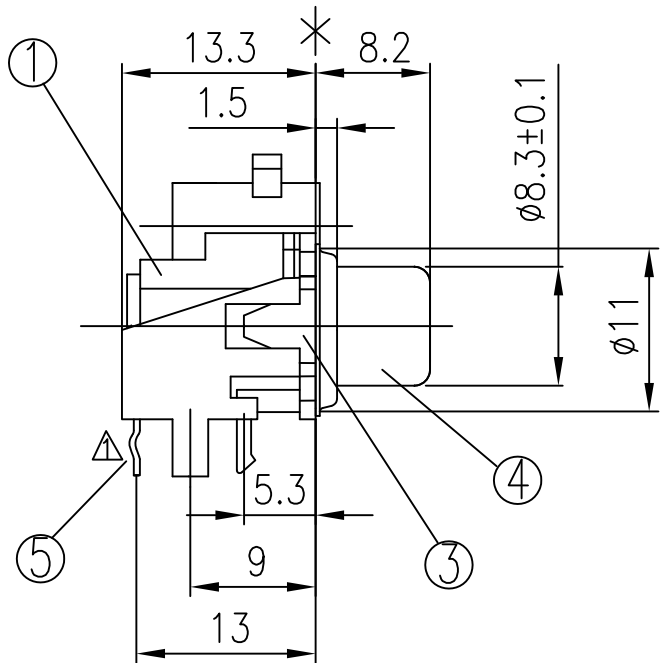


REVISIONS				
LTR	DESCRIPTION	DATE	REVISED	APPROVED
1	△ pin腳畫法不標準	2007.3.16	hulun	gaowei
2	△ 圖面標示錯誤,現重新確認后標示為27	2007.12.04	xiechunping	gaowei
003	△ 更改材料厚度以與實際相符	2009.05.06	SIMON	STEVEN



T:1.6 Dimensions of PC board holes
Tolerance : ±0.1(Printed-bottom view)

SCHEMATIC		
WASHER COLOR	A	
	B	

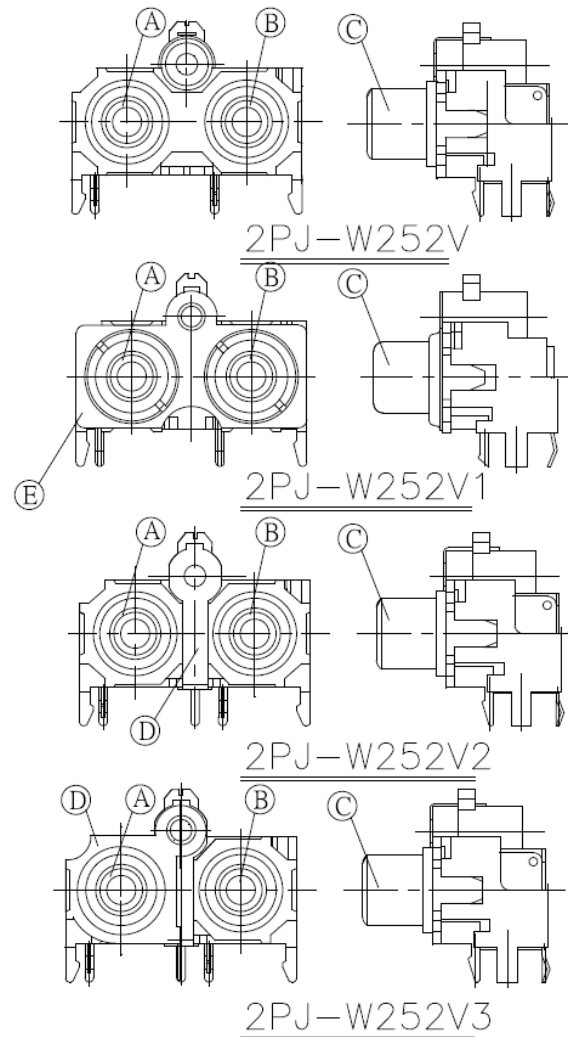
LEAD FREE

6	SEALED PLATE	1	C2680	t=0.3	MB:Cu Cu/Sn PLATED
5	TERMINAL	2	C2680	t=0.4 △	MB:Cu Cu/Sn PLATED
4	OUTER CONTACT	2	C2680	t=0.3	MB:Ni Cu/Sn PLATED
3	COVER	1	ABS		UL-94HB(BLACK)
2	WASHER	2	PBT		UL-94V0
1	HOUSING	1	PBT		UL-94V0(BLACK)

LTR	PART NAME			QTY	MATERIAL	REMARK
DWN	HU	LUN	DATE	2006.02.13	3RD ANGLE PROJECTION	NAME PIN JACK
CHKD	GAO	WEI	DATE	2006.02.13	UNIT: mm	CAT. NO. 2PJ-W252V1-H
APVD	JACKY		DATE	2006.02.13		DWN.NO. KY-252V1
SINGATRON U.S.A.						003

UNLESS OTHERWISE SPECIFIED, TOLERANCE ON DECIMAL: ±0.3

MODEL NO.	COLOR		FINISH					HOUSIN G
	A	B	C	D	E	OTHER TERMINAL		
2PJ-W252 SERIES								
2PJ-W252_-01	RED	BLACK	Cu/Sn	Cu/Sn	Cu/Sn	Cu/Sn	BLACK	
2PJ-W252_-02	BLACK	BLACK	Cu/Sn	Cu/Sn	Cu/Sn	Cu/Sn	BLACK	
2PJ-W252_-03	RED	RED	Cu/Sn	Cu/Sn	Cu/Sn	Cu/Sn	BLACK	
2PJ-W252_-04	RED	WHITE	Cu/Sn	Cu/Sn	Cu/Sn	Cu/Sn	BLACK	
2PJ-W252_-05	BLACK	RED	Cu/Sn	Cu/Sn	Cu/Sn	Cu/Sn	BLACK	
2PJ-W252_-06	WHITE	RED	Cu/Sn	Cu/Sn	Cu/Sn	Cu/Sn	BLACK	
2PJ-W252_-07	YELLOW	YELLOW	Cu/Sn	Cu/Sn	Cu/Sn	Cu/Sn	BLACK	
2PJ-W252_-08	RED	WHITE	Au	Cu/Sn	Cu/Sn	Cu/Sn	BLACK	
2PJ-W252_-09	WHITE	RED	Au	Cu/Sn	Cu/Sn	Cu/Sn	BLACK	
2PJ-W252_-10	YELLOW	WHITE	Cu/Sn	Cu/Sn	Cu/Sn	Cu/Sn	BLACK	
2PJ-W252_-11	RED	BLACK	Au	Cu/Sn	Cu/Sn	Cu/Sn	BLACK	
2PJ-W252_-12	YELLOW	YELLOW	Au	Cu/Sn	Cu/Sn	Cu/Sn	BLACK	
2PJ-W252_-13	WHITE	RED	Au	Cu/Sn	Cu/Sn	Au	BLACK	
2PJ-W252_-14	HOAR	HOAR	Cu/Sn	Cu/Sn	Cu/Sn	Cu/Sn	BLACK	
2PJ-W252_-15	WHITE	WHITE	Cu/Sn	Cu/Sn	Cu/Sn	Cu/Sn	BLACK	
2PJ-W252_-16	WHITE	WHITE	Au	Cu/Sn	Cu/Sn	Cu/Sn	BLACK	
2PJ-W252_-17	RED	YELLOW	Cu/Sn	Cu/Sn	Cu/Sn	Cu/Sn	BLACK	
2PJ-W252_-18	RED	YELLOW	Au	Cu/Sn	Cu/Sn	Cu/Sn	BLACK	
2PJ-W252_-19	WHITE	YELLOW	Cu/Sn	Cu/Sn	Cu/Sn	Cu/Sn	BLACK	
2PJ-W252_-20	BLACK	YELLOW	Cu/Sn	Cu/Sn	Cu/Sn	Cu/Sn	BLACK	
2PJ-W252_-21	WHITE	WHITE	Au	Cu/Sn	Cu/Sn	Au	BLACK	
2PJ-W252_-22	YELLOW	BLACK	Cu/Sn	Cu/Sn	Cu/Sn	Cu/Sn	BLACK	
2PJ-W252_-23	BLACK	BLACK	Au	Cu/Sn	Cu/Sn	Cu/Sn	BLACK	
2PJ-W252_-24	HOAR	BLACK	Cu/Sn	Cu/Sn	Cu/Sn	Cu/Sn	BLACK	
2PJ-W252_-25	YELLOW	RED	Cu/Sn	Cu/Sn	Cu/Sn	Cu/Sn	BLACK	
2PJ-W252_-26	RED	WHITE	Au	Cu/Sn	Cu/Sn	Au	BLACK	
2PJ-W252_-27	BLACK	BLACK	Au	Cu/Sn	Cu/Sn	Au	BLACK	
2PJ-W252_-28	YELLOW	YELLOW	Cu/Sn	Cu/Sn	Cu/Sn	Cu/Sn	BLACK	



APVD	LILY	DATE	3/23/2004	CAT NO. 2PJ-W252 SERIES
CHKD	ANDY	DATE	3/23/2004	
DWN	YILENG	DATE	3/23/2004	
SINGATRON U.S.A.				DWN NO. 2PJ-W252
				1/2

MODEL NO.	COLOR		FINISH					HOUSING
	A	B	C	D	E	OTHER TERMINAL	G	
2PJ-W252 SERIES								
2PJ-W252_-29	WHITE	RED	Cu/Sn	Cu/Sn	Cu/Sn	Cu/Sn	BLACK	
2PJ-W252_-30	BLACK	YELLOW	Cu/Sn	Cu/Sn	Cu/Sn	Cu/Sn	BLACK	
2PJ-W252_-31	ORANGE	ORANGE	Cu/Sn	Cu/Sn	Cu/Sn	Cu/Sn	BLACK	
2PJ-W252_-32	RED	WHITE	Cu/Sn	Cu/Sn	Cu/Sn	Cu/Sn	BLACK	
2PJ-W252_-33	RED	WHITE	Cu/Sn	Cu/Sn	Cu/Sn	Cu/Sn	BLACK	
2PJ-W252_-34	ORANGE	ORANGE	Au	Cu/Sn	Cu/Sn	Cu/Sn	BLACK	
2PJ-W252_-35	BLACK	YELLOW	Au	Cu/Sn	Au	Cu/Sn	BLACK	
2PJ-W252_-36	YELLOW	ORANGE	Au	Cu/Sn	Au	Cu/Sn	BLACK	
2PJ-W252_-37	WHITE	RED	Cu/Sn	Cu/Sn	Cu/Sn	Cu/Sn	BLACK	
2PJ-W252_-38	RED	WHITE	Cu/Sn	Cu/Sn	Cu/Sn	Cu/Sn	BLACK	
2PJ-W252_-39	WHITE	RED	Au	Cu/Sn	Au	Cu/Sn	BLACK	
2PJ-W252_-40	BLACK	BLACK	Au	Au	Au	Au	BLACK	
2PJ-W252_-41	GREEN	WHITE	Cu/Sn	Cu/Sn	Cu/Sn	Cu/Sn	BLACK	
2PJ-W252_-42	ORANGE	YELLOW	Cu/Sn	Cu/Sn	Cu/Sn	Cu/Sn	BLACK	
2PJ-W252_-43	BLACK	BLACK	Au	Cu/Sn	Au	Cu/Sn	BLACK	
2PJ-W252_-44	BLACK	WHITE	Au	Cu/Sn	Cu/Sn	Cu/Sn	BLACK	
2PJ-W252_-45	YELLOW	ORANGE	Cu/Sn	Cu/Sn	Cu/Sn	Cu/Sn	BLACK	
2PJ-W252_-46	WHITE	BLACK	Cu/Sn	Cu/Sn	Cu/Sn	Cu/Sn	BLACK	

2PJ-W252V

2PJ-W252V1

2PJ-W252V2

2PJ-W252V3

APVD	LILY	DATE	3/23/2004	CAT NO. 2PJ-W252 SERIES
CHKD	ANDY	DATE	3/23/2004	
DWN	YILENG	DATE	3/23/2004	
SINGATRON U.S.A.				DWN NO. 2PJ-W252