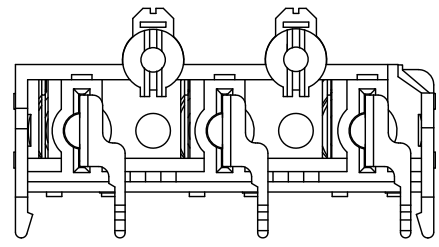
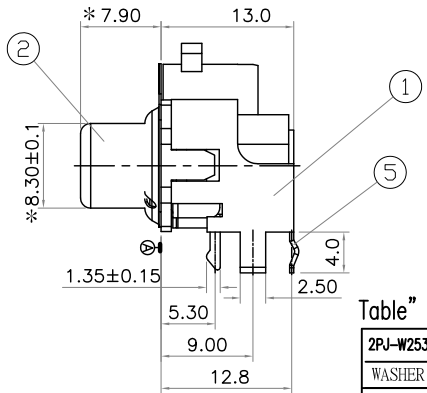
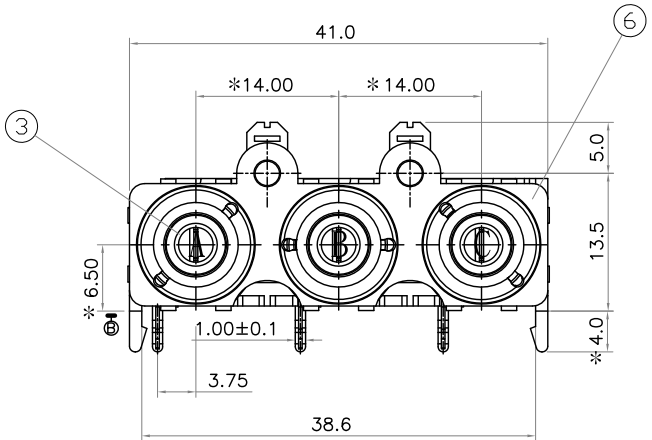


\*\* : INDICATES THE KEY DIMENSIONS [\*\*為重點尺寸]

* REVISIONS				
LTR	DESCRIPTION	DATE	REVISED	APPROVED
002	更改材質厚度及尺寸與實際相符	2009.05.06	SIMON	STEVEN
003	修正圖面, 符合實品	2013.09.29	H. RP	GAOWEI

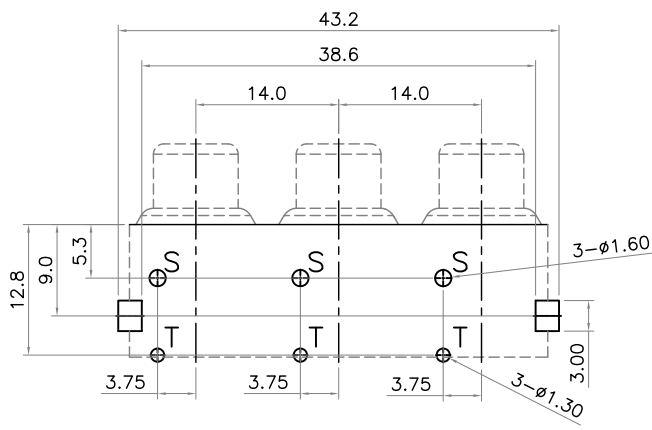
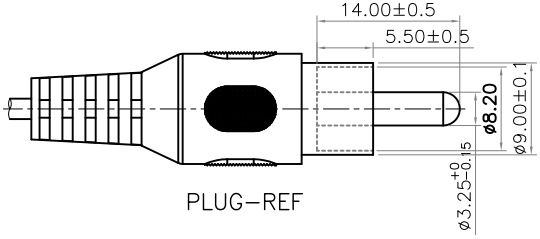
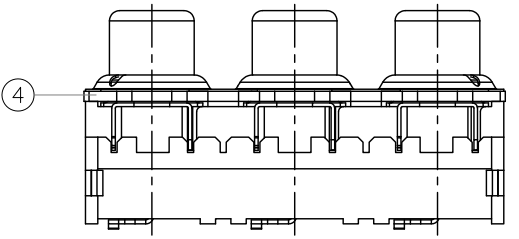


Table"

2PJ-W253V1A-06H	A	B	C
WASHER COLOR	BLACK	BLACK	BLACK

SCHEMATIC

- Notes:
- Electrical Characteristics:
    - 1-1. Rating : DC 12V 1 A ;
    - 1-2. Contact Resistance: 30mΩ Max.(Initial).  
Between plug and contact 100mΩ Max.  
(Final) After Life test: ≤60mΩ ;
    - 1-3. Dielectric Withstanding Voltage: 500V AC for One Minute ;
    - 1-4. Insulation Resistance: 100MΩ Min. Measured By 500 VDC;
  - Mechanical Characteristics:
    - 2-1. Plug Insertion Force 0.3~3.0KgF (initial),  
0.3~3.0KgF (Final) life test;
    - 2-2. Plug Extraction Force: 0.3~3.0KgF (initial),  
0.3~3.0KgF (Final) life test;
  - Durability Test: 500 Cycles min;
  - Operating temperature:-25°C ~ +70°C;
  - Soldering Heat Resistance Wave soldering 230°C;
  - Plug Interface Dimensions Conform To EIAJ RC-5231A Spec;
  - Packaging:Tray;



Recommend of PC Board Holes  
Tolerance : ±0.05(Bottom view)

LEAD FREE

LTR	PART NAME	QTY	MATERIAL	REMARK
6	SEALED PLATE	1	C2680 t=0.2 Δ	CuSn PLATED
5	TERMINAL	3	C2680 t=0.4	CuSn PLATED
4	COVER	1	ABS	UL-94HB(BLACK)
3	WASHER	3	PBT	UL-94V0 Color See Table"
2	OUTER CONTACT	3	C2680 t=0.4 Δ	CuSn PLATED
1	HOUSING	1	PBT	UL-94V0 BLACK

-TOLERANCES-  
UNLESS OTHERWISE SPECIFIED  
公差

X.X	±0.38	X.X"	±3"
X.XX	±0.30	X.XX"	±1"
X.XXX	±0.25		

Singatron Enterprise Co., Ltd.

TITLE	PIN JACK		
DWN	HU LUN 2006.07.01	PART NO.	2PJ-W253V1A-06H
CHKD	GAO WEI 2006.07.01	SCALE 1:1	UNIT: mm
APVD	JACKY 2006.07.01	SIZE: A3	SHEET: 1 OF 1 REV: 003

CUSTOMER COPY