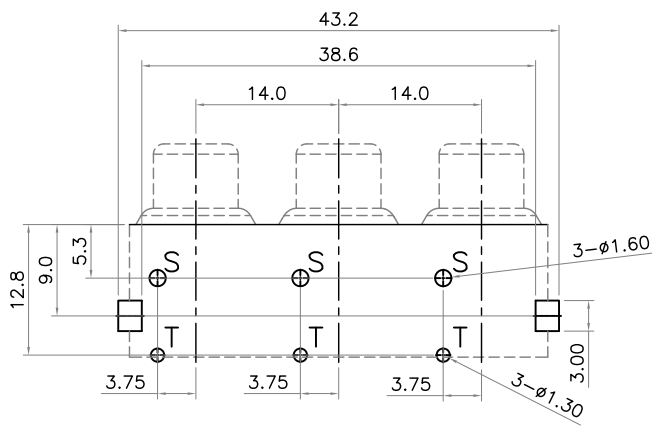
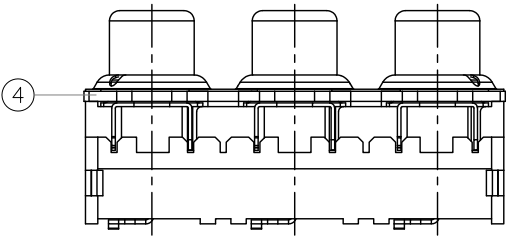
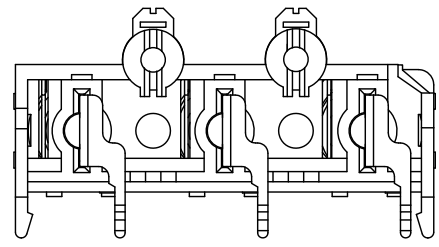
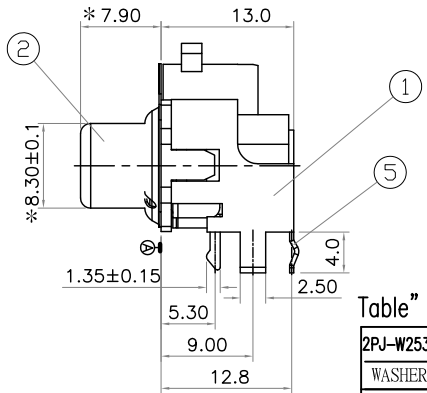
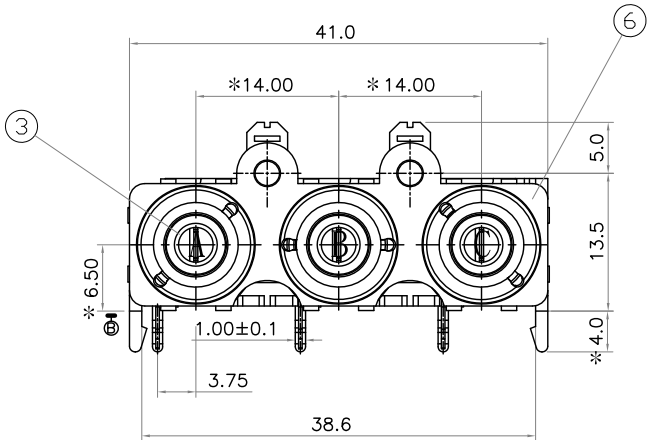


** : INDICATES THE KEY DIMENSIONS [**為重點尺寸]

* REVISIONS				
LTR	DESCRIPTION	DATE	REVISED	APPROVED
002	更改材質厚度及尺寸與實際相符	2009.05.06	SIMON	STEVEN
003	修正圖面, 符合實品	2013.09.29	H. RP	GAOWEI



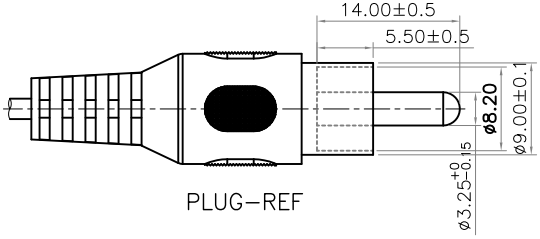
Recommend of PC Board Holes
Tolerance : ±0.05(Bottom view)

Table

2PJ-W253V1A-15H	A	B	C
WASHER COLOR	BLACK	BLACK	BLACK

Schematic

- Notes:
- Electrical Characteristics:
 - 1-1.Rating : DC 12V 1 A ;
 - 1-2.Contact Resistance: 30mΩ Max.(Initial).
Between plug and contact 100mΩ Max.
(Final) After Life test: ≤60mΩ ;
 - 1-3.Dielectric Withstanding Voltage: 500V AC for One Minute ;
 - 1-4. Insulation Resistance: 100MΩ Min. Measured By 500 VDC;
 - Mechanical Characteristics:
 - 2-1. Plug Insertion Force 0.3~3.0Kgf (initial).
0.3~3.0Kgf (Final) life test;
 - 2-2. Plug Extraction Force: 0.3~3.0Kgf (initial).
0.3~3.0Kgf (Final) life test;
 - Durability Test: 500 Cycles min;
 - Operating temperature:-25°C ~ +70°C;
 - Soldering Heat Resistance Wave soldering 230°C;
 - Plug Interface Dimensions Conform To EIAJ RC-5231A Spec;
 - Packaging:Tray;



PLUG-REF

LEAD FREE

6	SEALED PLATE	1	C2680	t=0.2 Δ	CuSn PLATED
5	TERMINAL	3	C2680	t=0.4	CuSn PLATED
4	COVER	1	ABS		UL-94HB(BLACK)
3	WASHER	3	PBT		UL-94V0 Color See Table
2	OUTER CONTACT	3	C2680	t=0.4 Δ	MB.Ni Gold Flash
1	HOUSING	1	PBT		UL-94V0 BLACK
LTR	PART NAME	QTY	MATFRIAL	RFMARK	

-TOLERANCES-
UNLESS OTHERWISE SPECIFIED
公差

X.X	±0.38	X.X'	±3°
X.XX	±0.30	X.XX'	±1°
X.XXX	±0.25		

Singatron Enterprise Co., Ltd.

TITLE	PIN JACK		
DWN	HU LUN 2006.07.01	PART NO. 2PJ-W253V1A-15H	
CHKD	GAO WEI 2006.07.01	SCALE 1:1	UNIT: mm
APVD	JACKY 2006.07.01	SIZE: A3	SHEET:1 OF 1 REV: 003

CUSTOMER COPY