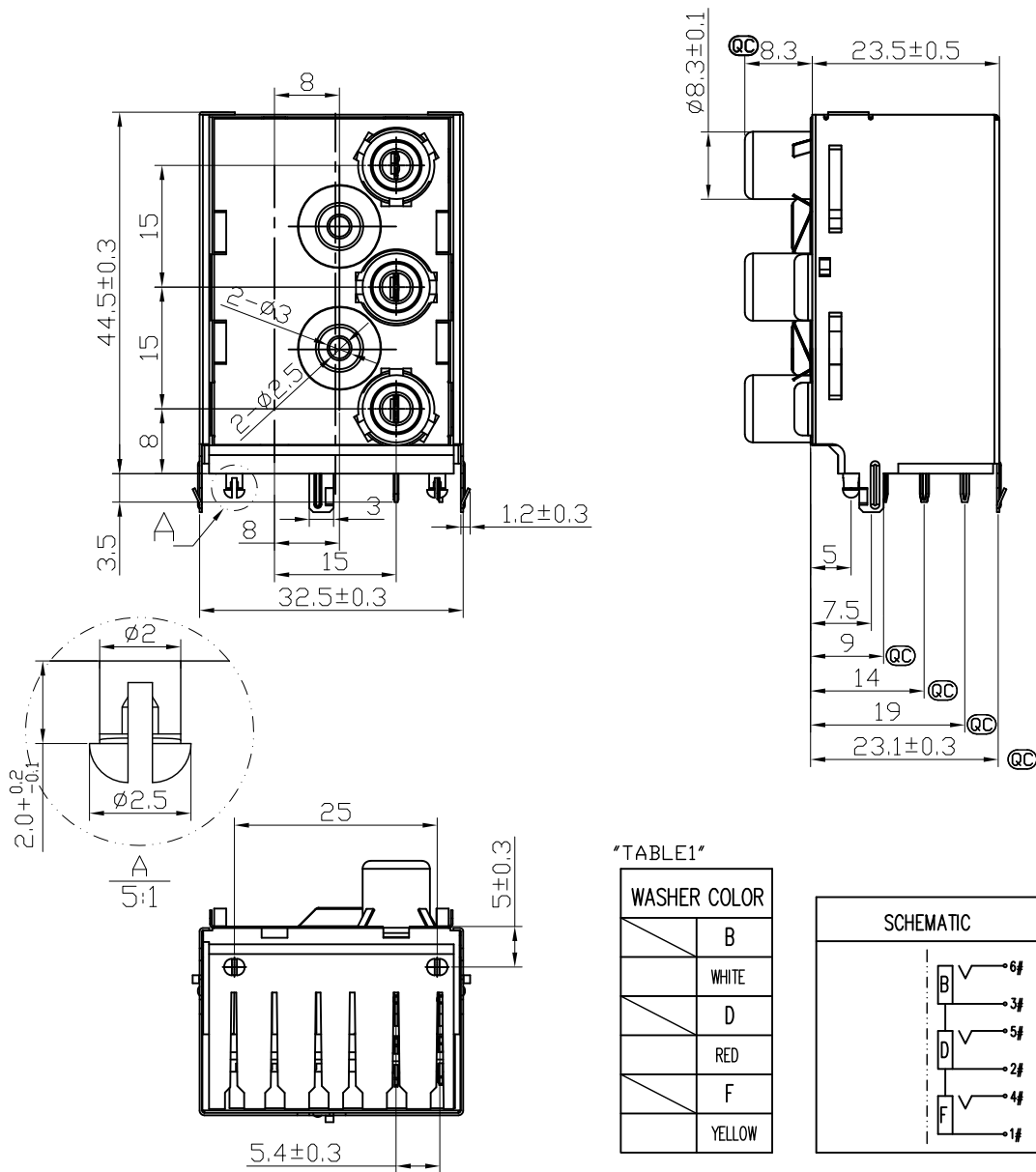


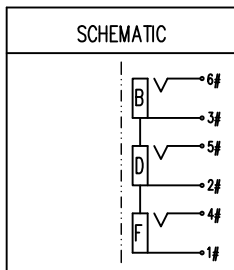
NOTES:

尺寸标示带Ⓞ号的尺寸,均为冲铆后需要重点管控的尺寸。



"TABLE1"

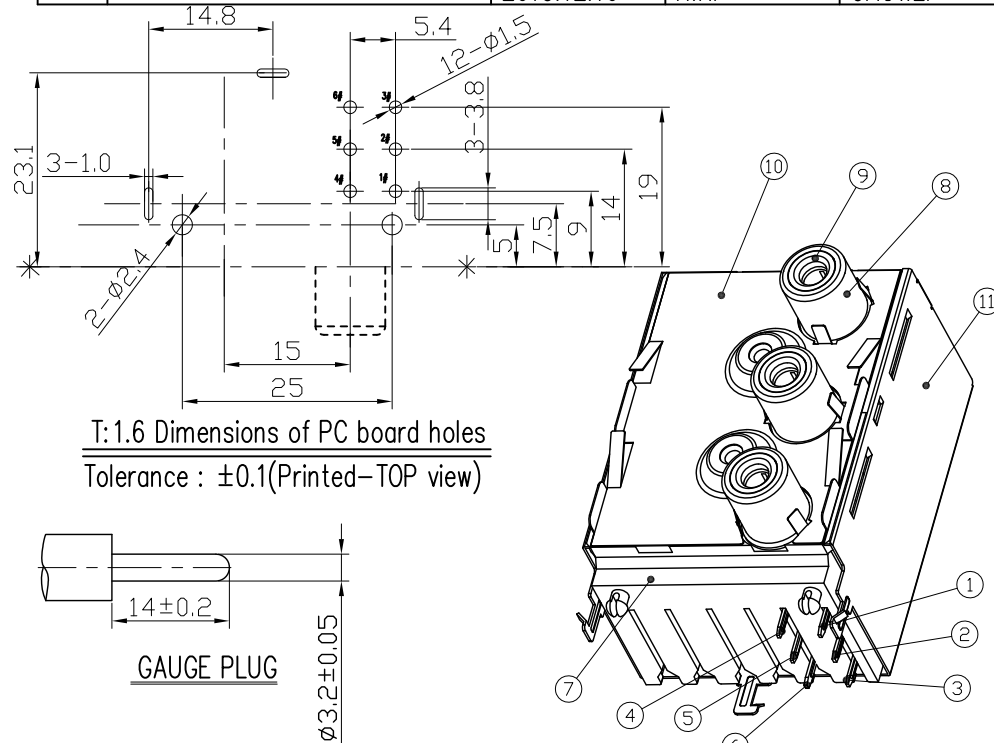
WASHER COLOR	
	B
	WHITE
	D
	RED
	F
	YELLOW



UNLESS OTHERWISE SPECIFIED, TOLERANCE ON DECIMAL: ±0.3

* REVISIONS

LTR	DESCRIPTION	DATE	REVISED	APPROVED
001	新图发行	2013.11.29	H.RP	GAOWEI
002	增加重点尺寸标示Ⓞ	2013.12.10	H.RP	GAOWEI



11	BACK SHELL	1	SPCC	t=0.30	MB:Cu	Cu/Sn	PLATED
10	FRONT SHELL	1	SUS301	t=0.20	N/A		
9	WASHER	3	THERMOPLASTIC	UL-94V0	SEE TABLE1		
8	SLEEVE	3	C2680	t=0.4	MB:Cu	Cu/Sn	PLATED
7	HOUSING	1	THERMOPLASTIC	UL-94HB	BLACK		
6	TERMINAL	1	C2680	t=0.4	MB:Cu	Cu/Sn	PLATED
5	TERMINAL	1	C2680	t=0.4	MB:Cu	Cu/Sn	PLATED
4	TERMINAL	1	C2680	t=0.4	MB:Cu	Cu/Sn	PLATED
3	TERMINAL	1	C2680	t=0.4	MB:Cu	Cu/Sn	PLATED
2	TERMINAL	1	C2680	t=0.4	MB:Cu	Cu/Sn	PLATED
1	TERMINAL	1	C2680	t=0.4	MB:Cu	Cu/Sn	PLATED

LTR	PART NAME	QTY	MATERIAL	REMARK
DWN	H.RP	DATE	2013.11.29	3RD ANGLE PROJECTION
CHKD	GAOWEI	DATE	2013.11.29	
APVD	GAOWEI	DATE	2013.11.29	
UNIT: mm				NAME RCA JACK
				CAT. NO. 2PJ-W280V5B-01

SINGATRON U.S.A.

DWN.NO.
06-280V5B 002

