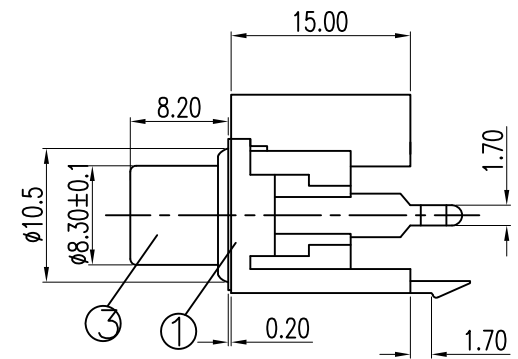
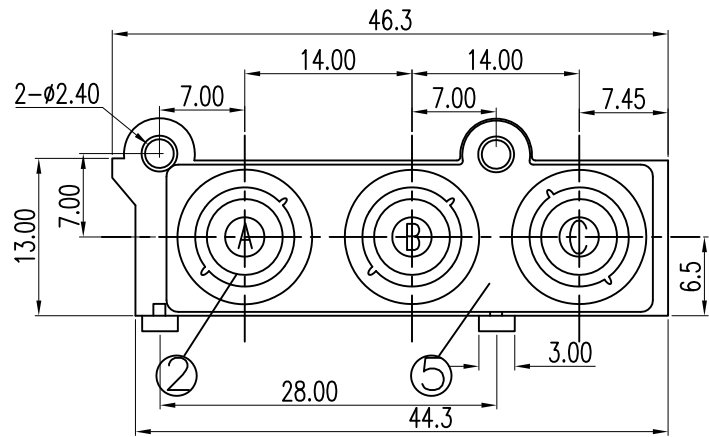
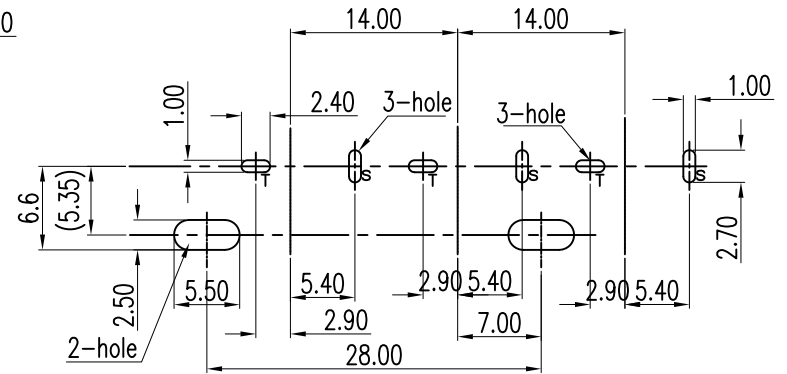


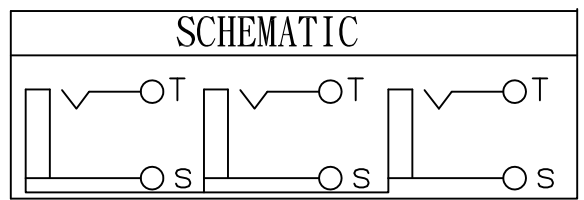
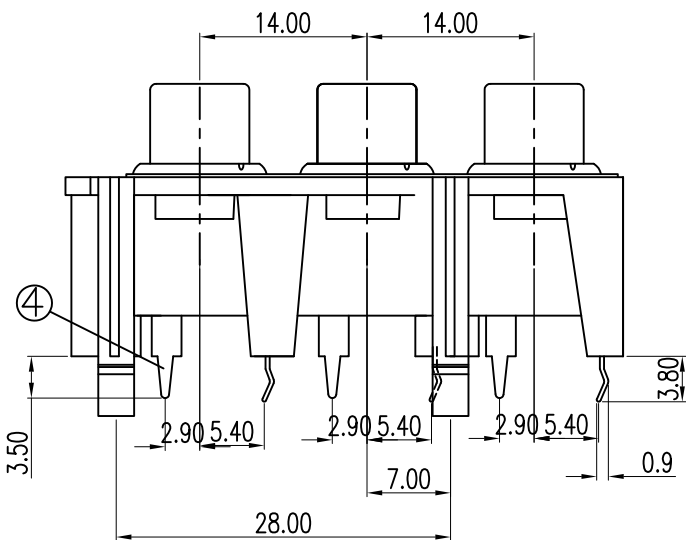
工程變更通知單號 ECN NO.	更改 REV	設變內容 MODIFICATION	日期 DATE	製圖 DRAW	核准 APPROVE
	A1	NEW DWG	2011.04.16	YUYA	GUANKUI



COLOR TYPE		
A	B	C



T:1.6 Dimensions of PC board holes
Tolerance : ±0.05(Printed-top view)



LEAD FREE

5	SEALED PLATE	1	C2680	t=0.2	MB:Cu	Cu/Sn	PLATED
4	TERMINAL	3	C2680	t=0.5	MB:Cu	Cu/Sn	PLATED
3	OUTER CONTACT	3	C2680	t=0.4	MB:Cu	Cu/Sn	PLATED
2	WASHER	3	PBT 4815		UL-94V0		
1	HOUSING	1	PBT 4815		UL-94V0		
LTR	PART NAME	QTY	MATERIAL	REMARK			

-TOLERANCES-		SINGATRON U.S.A.					
UNLESS OTHERWISE SPECIFIED		公差				FILE NO: 文件編號:	
TITLE:		PIN JACK					
APPD: 核准:		JUN		PRODUCT NO:		2PJ-WT01503VS2B-H	
X.X ±0.38		X.X° ±3°		CHECK: 校对:		DATE	
X.XX ±0.20		X.XX° ±1°		DRAW: 繪制:		SCALE	
X.XXX ±0.10		X.XXX° ±0.5°		YUYA		UNIT	
				2010.04.12		TYPE	
				FREE		PAGE	
				MM		2	