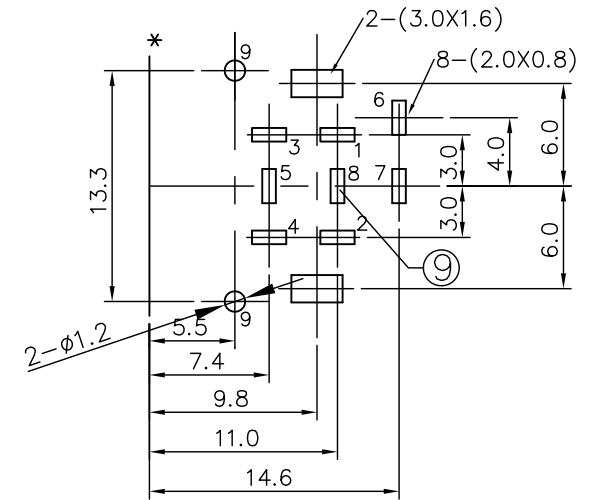
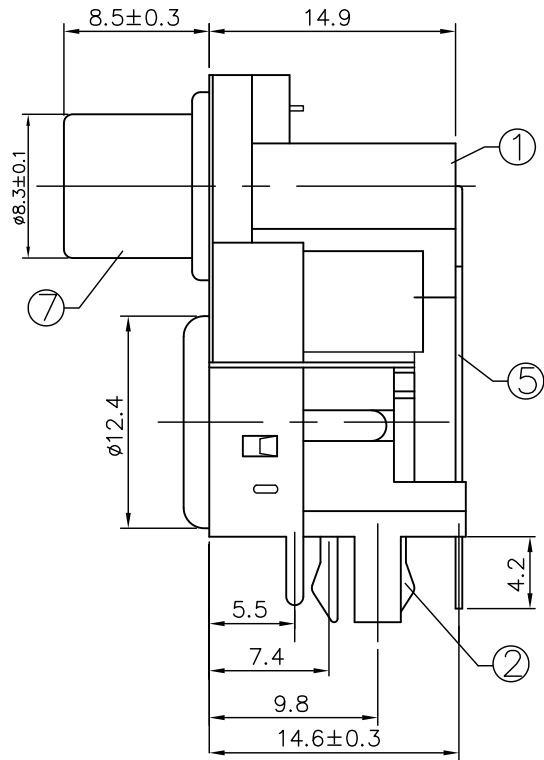
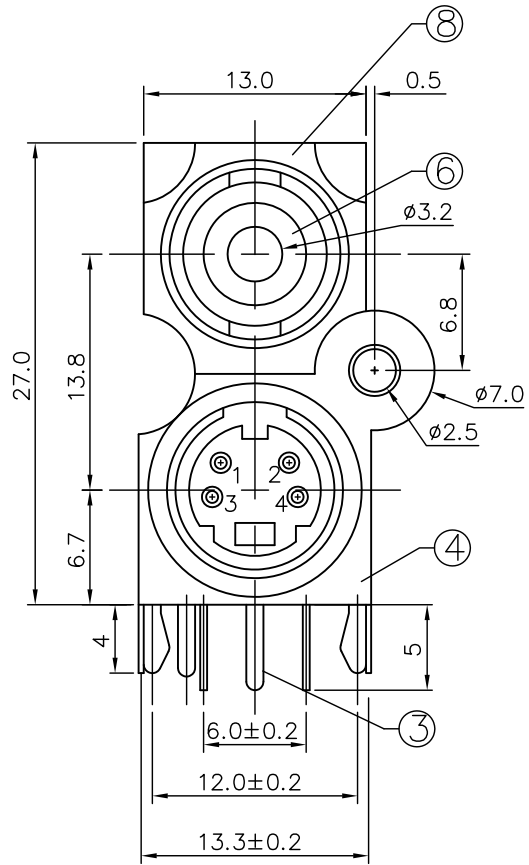


* REVISIONS				
LTR	DESCRIPTION	DATE	REVISED	APPROVED



T:1.6 Dimensions of PC board holes  
Tolerance : ±0.1(Printed-top view)

LEAD FREE

	S JACK	PIN JACK
SCHEMATIC		
COLOR	HOUSING WASHER	BLACK YELLOW

UNLESS OTHERWISE SPECIFIED, TOLERANCE ON DECIMAL:± 0.3

9	CONTACT FOOT	1	C2680	MB:Cu Cu/Sn PLATED
8	SEALED PLATE	1	C2680	MB:Cu Cu/Sn PLATED
7	AXIS SUPPORT	1	C2680	MB:Cu Cu/Sn PLATED
6	WASHER	1	ABS	UL-94HB
5	CONTACT FOOT	2	C2680	MB:Cu Cu/Sn PLATED
4	COAT	1	C2680	MB:Cu Cu/Sn PLATED
3	CONTACT FOOT	1	C2680	MB:Cu Cu/Sn PLATED
2	CONTACT FOOT	4	C5191	MB:Cu Ag PLATED
1	HOUSING	1	ABS	UL-94HB
LTR	PART NAME	QTY	MATERIAL	REMARK
DWN	HU LUN	DATE	06.02.06	3RD ANGLE PROJECTION NAME PIN JACK+S JACK
CHKD	GAO WEI	DATE	06.02.06	CAT. NO. 2PJ-WT04014B-02
APVD	JACKY	DATE	06.02.06	UNIT: mm
SINGATRON U.S.A.				DWN.NO. WL-04014 001