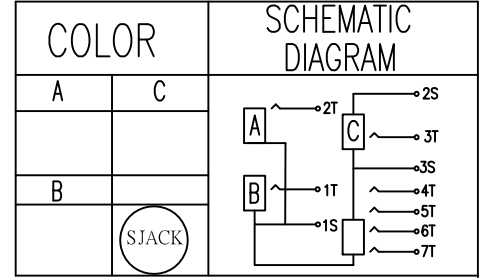
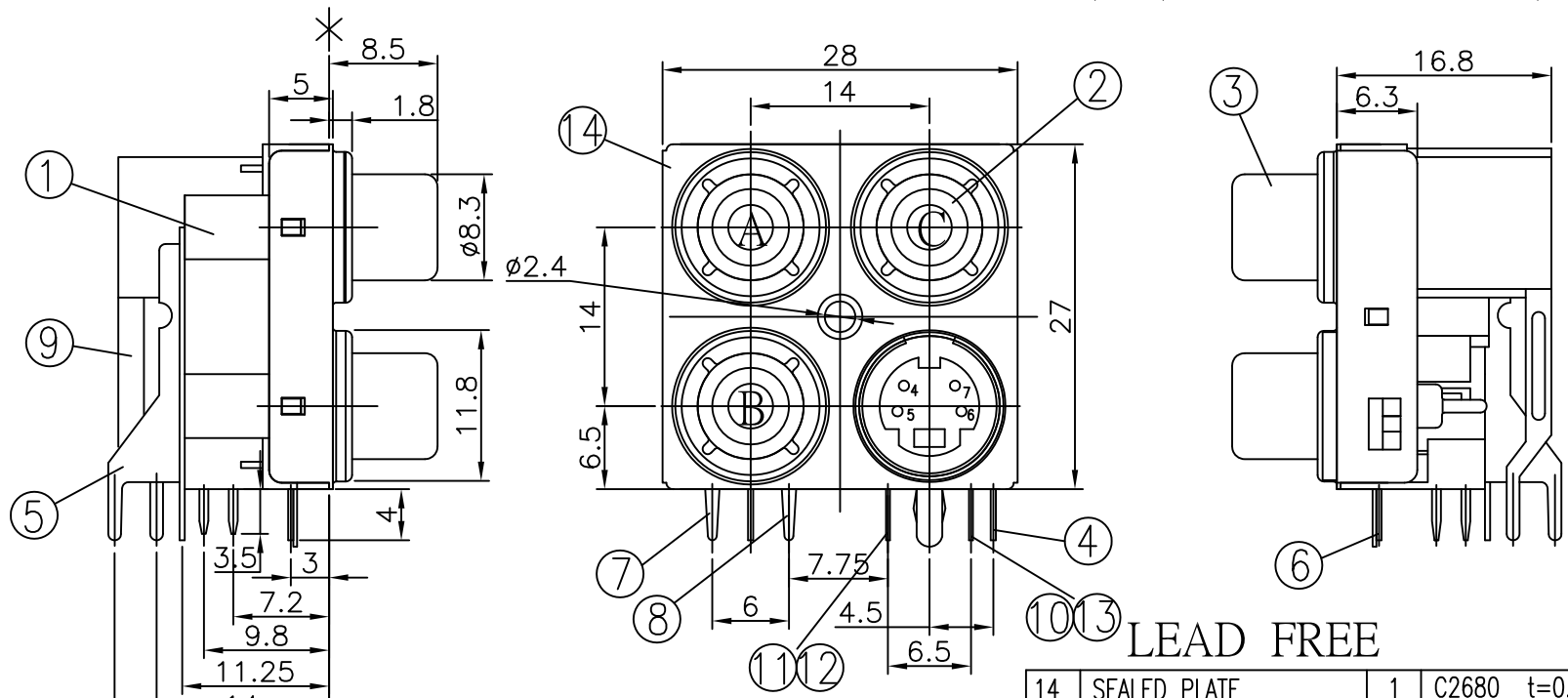
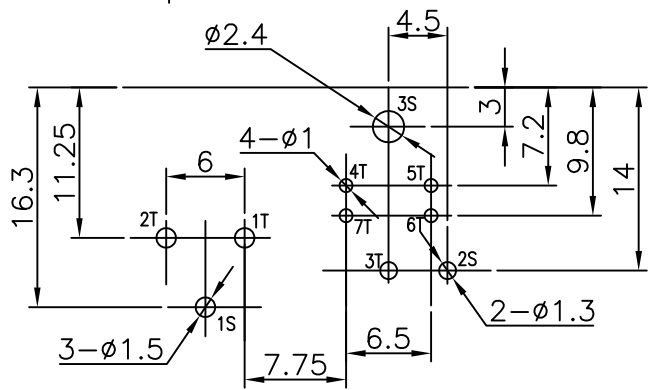


| * REVISIONS | | | | |
|-------------|-------------|------|---------|----------|
| LTR | DESCRIPTION | DATE | REVISED | APPROVED |



LEAD FREE



T:1.6 Dimensions of PC board holes
Tolerance : ±0.1(Printed-Bottom view)

UNLESS OTHERWISE SPECIFIED, TOLERANCE ON DECIMAL: ±0.3

| | | | | |
|----|----------------|---|--------------|--------------------|
| 14 | SEALED PLATE | 1 | C2680 t=0.25 | MB:Cu Cu/Sn PLATED |
| 13 | TERMINAL | 1 | C2680 t=0.4 | MB:Cu Ag PLATED |
| 12 | TERMINAL | 1 | C2680 t=0.4 | MB:Cu Ag PLATED |
| 11 | TERMINAL | 1 | C2680 t=0.4 | MB:Cu Ag PLATED |
| 10 | TERMINAL | 1 | C2680 t=0.4 | MB:Cu Ag PLATED |
| 9 | TERMINAL | 1 | C2680 t=0.5 | MB:Cu Cu/Sn PLATED |
| 8 | TERMINAL | 1 | C2680 t=0.35 | MB:Cu Cu/Sn PLATED |
| 7 | TERMINAL | 1 | C2680 t=0.35 | MB:Cu Cu/Sn PLATED |
| 6 | GROUND CONTACT | 1 | C2680 t=0.3 | MB:Cu Ag PLATED |
| 5 | EARTH FITTING | 1 | C2680 t=0.35 | MB:Cu Cu/Sn PLATED |
| 4 | EARTH FITTING | 1 | C2680 t=0.35 | MB:Cu Cu/Sn PLATED |
| 3 | OUTER CONTACT | 3 | C2680 t=0.4 | MB:Cu Cu/Sn PLATED |
| 2 | WASHER | 3 | PBT 4815 | UL-94V0 |
| 1 | HOUSING | 1 | PBT 4815 | UL-94V0(BLACK) |

| LTR | PART NAME | | QTY | MATERIAL | REMARK |
|------------------|-----------|------|------------|----------------------|-----------------|
| DWN | JOHN | DATE | 2009.09.18 | 3RD ANGLE PROJECTION | NAME |
| CHKD | JOHN | DATE | 2009.09.18 | | PIN JACK+S JACK |
| APVD | JOHN | DATE | 2009.09.18 | | CAT. NO. |
| | | | | | 2PJ-WT04061V3 |
| SINGATRON U.S.A. | | | | | DWN.NO. |
| | | | | | KY-04061V3 |
| | | | | | 002 |