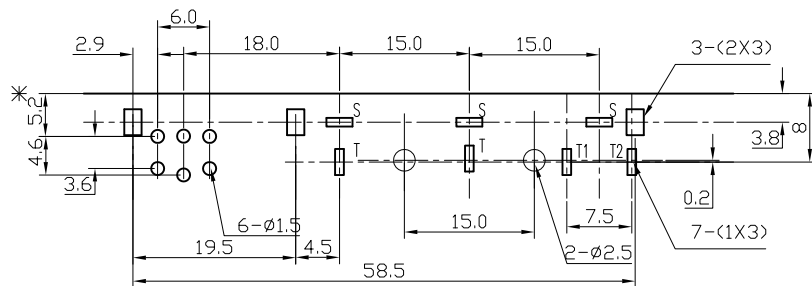
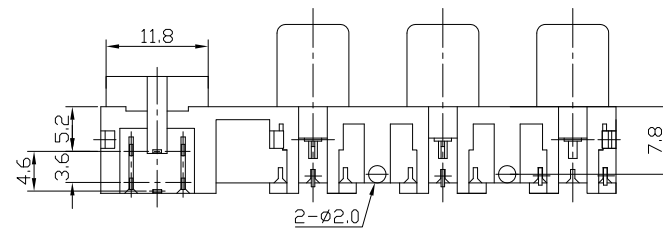
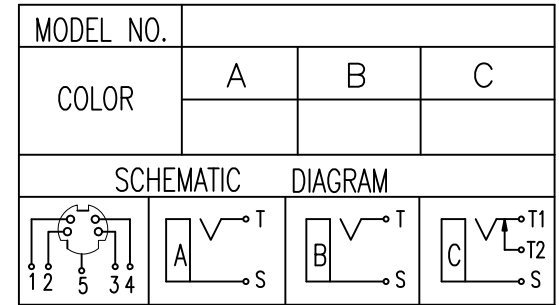
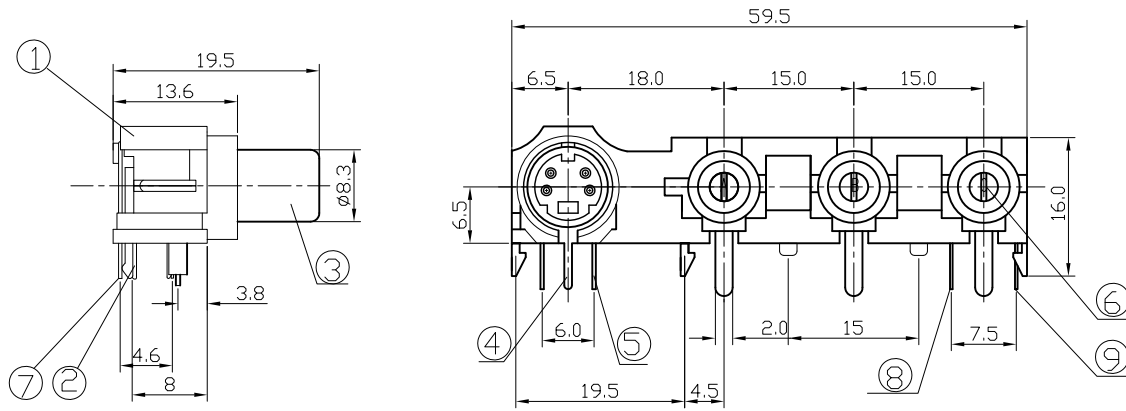


* REVISIONS				
LTR	DESCRIPTION	DATE	REVISED	APPROVED
01	原0.5尺寸變更爲0.2	2006.11.7	LUN	GIEVEN



T:1.6 Dimensions of PC board holes  
Tolerance :  $\pm 0.1$ (Printed-bottom view)

UNLESS OTHERWISE SPECIFIED, TOLERANCE ON DECIMAL:  $\pm 0.3$

## LEAD FREE

9	SHUNT TERMINAL	1	C2680	MB:Cu Ag PLATED
8	TIP SPRING	1	C5191	MB:Cu Ag PLATED
7	EARTH TERMINAL	1	C2680	MB:Cu Cu/Sn PLATED
6	WASHER	3	PBT 4815	UL-94V0
5	TERMINAL	4	C5191	MB:Cu Ag PLATED
4	GROUND CONTACT	1	C2680	MB:Cu Cu/Sn PLATED
3	OUTER CONTACT	3	C2680	MB:Cu Cu/Sn PLATED
2	TERMINAL	2	C2680	MB:Cu Cu/Sn PLATED
1	HOUSING	1	PBT 4815	UL-94V0(BLACK)
LTR	PART NAME	QTY	MATERIAL	REMARK
DWN	HU LUN	DATE	2006.05.01	3RD ANGLE PROJECTION
CHKD	GAO WEI	DATE	2006.05.01	
APVD	JACKY	DATE	2006.05.01	UNIT: mm
SINGATRON U.S.A.				NAME PIN JACK +S JACK
				CAT. NO. 2PJ-WT04063D
				DWN.NO. WL-04063
				002