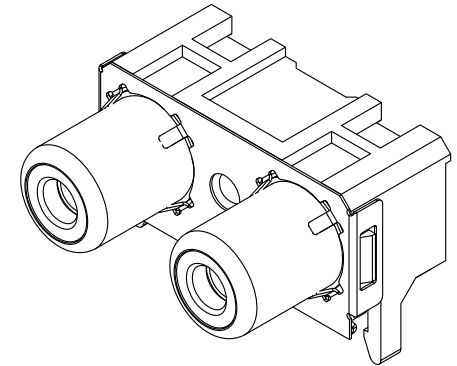
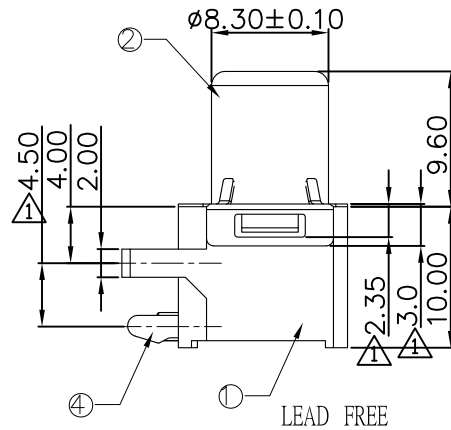
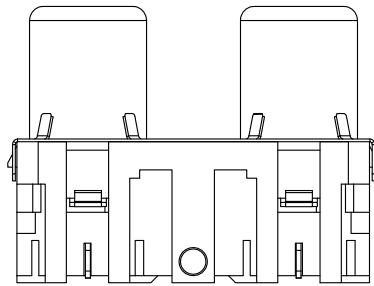
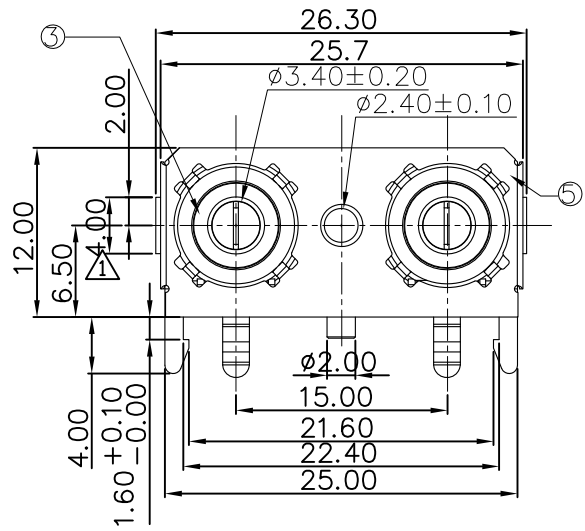
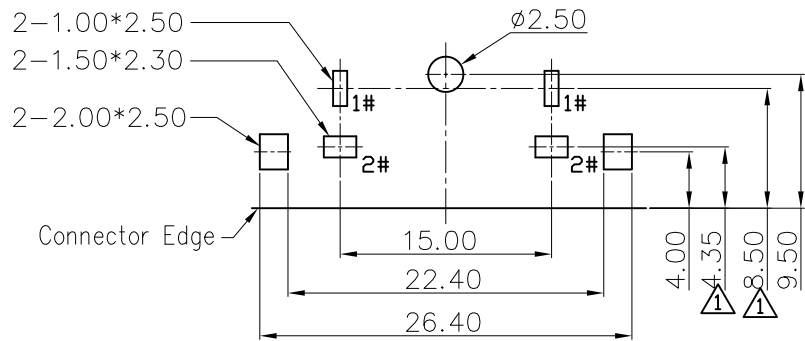


工程變更通知單號 ECN NO.	更改 REV	設變內容 MODIFICATION	日期 DATE	製圖 DRAW	核准 APPROVE
	A1	NEW DWG	2010.04.10	CODY	STRONG
	A2	產品結構變更修 改與實物相符	2010.11.20	CODY	VIC



SCHEMATIC		
COLOR	A	B
	WHITE	RED



Recommended PCB Layout
Tolerance : ±0.1(Printed-Top view)

LEAD FREE

5	SEALED PLATE	1	SUS T=0.20	
4	TERMINAL	2	C2680 T=0.40	MB:Cu Cu/Sn PLATED
3	WASHER	2	PBT 4815	UL-94V0
2	OUTER CONTACT	2	C2680 T=0.35	MB:Cu Cu/Sn PLATED
1	HOUSING	1	PBT 4815	UL-94V0(BLACK)
NO	DESCRIPTION	QTY	MATERIAL	REMARK

-TOLERANCES- UNLESS OTHERWISE SPECIFIED		SINGATRON U.S.A.					
		FILE NO:					
		TITLE: PIN-JACK					
X.X	±0.38	X.X°	±3°	APPD:	Strong	PRODUCT NO: 2PJ-WT04066V3B-06H	
X.XX	±0.30	X.XX°	±1°	CHECK:	Strong	DATE	SCALE UNIT TYPE PAGE
X.XXX	±0.10	X.XXX°	±0.5°	DRAW:	Cody	2010.04.10	FREE MM CD 1