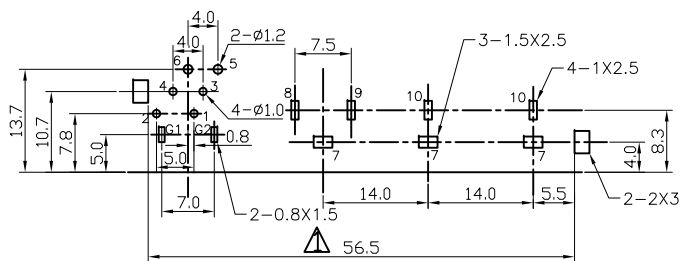
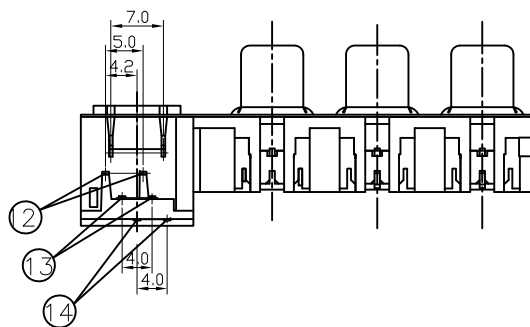
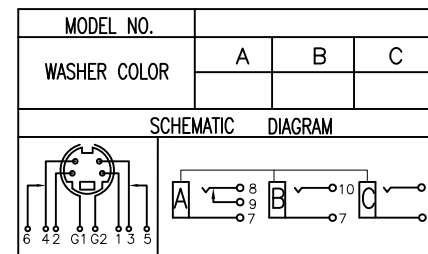
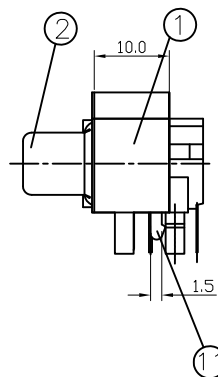
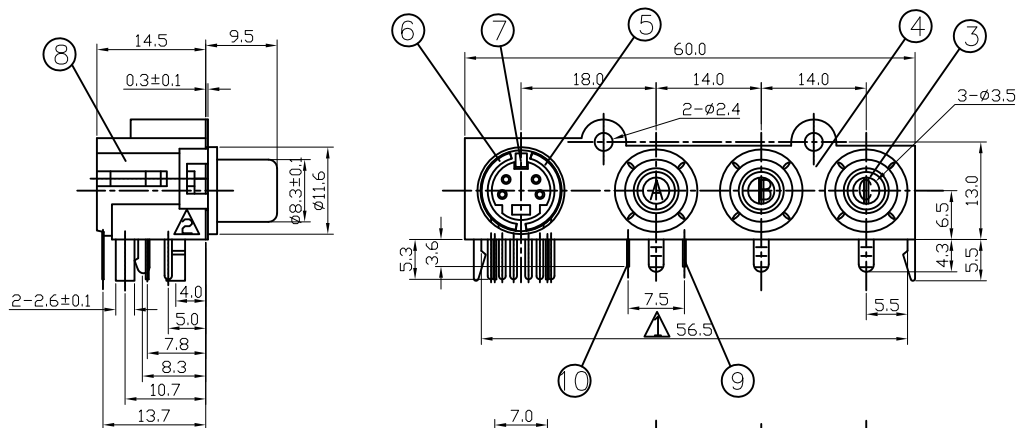


* REVISIONS

LTR	DESCRIPTION	DATE	REVISED	APPROVED
△X2	修改尺寸符合實物	2009.12.16	ANJOU	GIEVEN
△X1	修改去除銅環腳台階	2010.02.22	ANJOU	GIEVEN



T:1.6 Dimensions of PC board holes

Tolerance : ±0.1(Printed-Top view)

UNLESS OTHERWISE SPECIFIED, TOLERANCE ON DECIMAL: ±0.3

LEAD FREE

14	S TIP SPRING	2	C5191 T=0.2	MB:Ni Ag PLATED
13	S SHUNT SPRING	2	C5191 T=0.4	MB:Ni Ag PLATED
12	S TERMINAL	2	C5191 T=0.4	MB:Ni Ag PLATED
11	TERMINAL	2	C2680 T=0.6	MB:Ni Ag PLATED
10	SHUNT SPRING	1	C2680 T=0.4	MB:Ni Ag PLATED
9	TIP SPRING	1	C5191 T=0.3	MB:Ni Ag PLATED
8	COVER	1	PBT 4815	UL-94V0(BLACK)
7	CLIP HOLDER	1	POM	WHITE
6	GROUND CONTACT	1	C2680 T=0.4	MB:Cu Cu/Sn PLATED
5	GROUND CONTACT	1	C2680 T=0.4	MB:Cu Cu/Sn PLATED
4	SEALED PLATE	1	C2680 T=0.3	MB:Cu Cu/Sn PLATED
3	WASHER	3	ABS	
2	OUT CONTACT	3	C2680 T=0.4	MB:Cu Cu/Sn PLATED
1	HOUSING	1	PBT 4815	UL-94V0(BLACK)

LTR	PART NAME	QTY	MATERIAL	REMARK
DWN	ANJOU	DATE	2008.05.22	NAME PIN JACK+S JACK CAT. NO. 2PJ-WT04073V2D-H DWN.NO. WL-04073
CHKD	ANJOU	DATE	2008.05.22	
APVD	GIEVEN	DATE	2008.05.22	
SINGATRON U.S.A.				UNIT: mm
				006