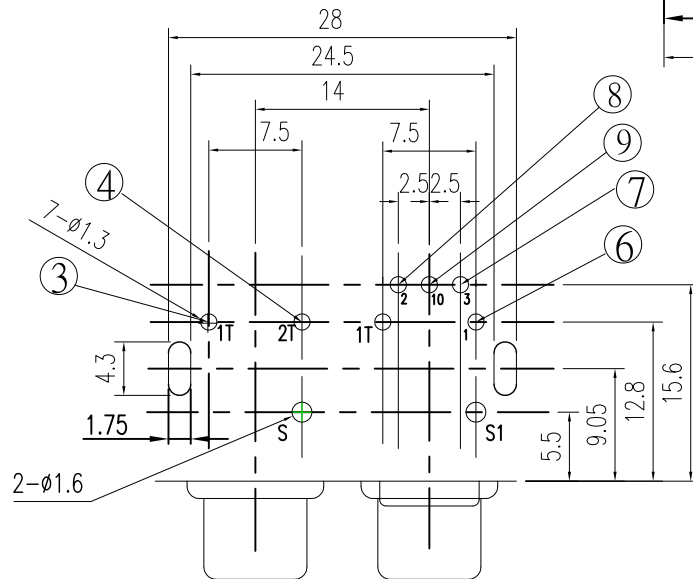
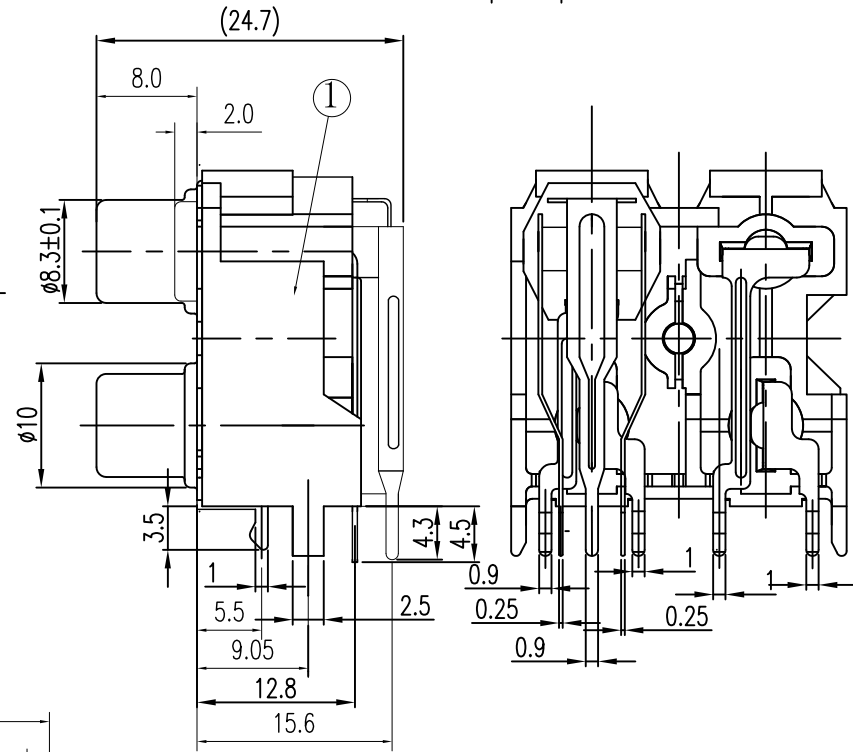
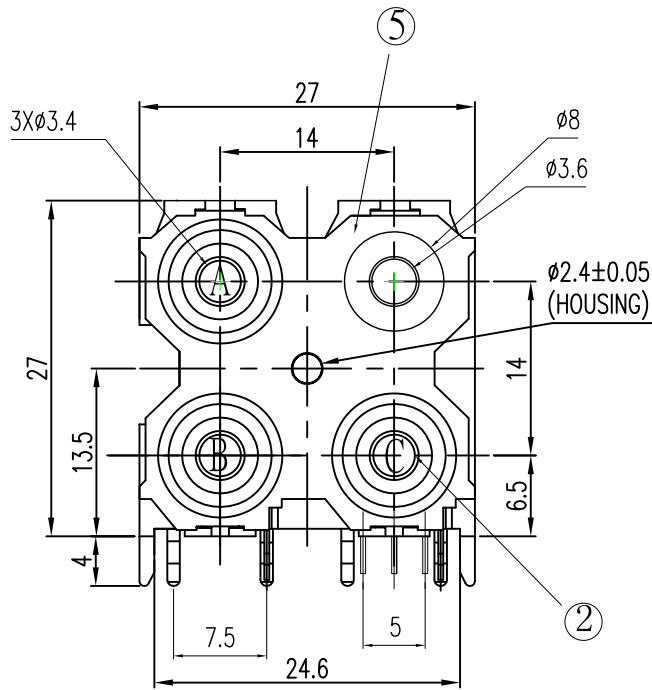


* REVISIONS

LTR	DESCRIPTION	DATE	REVISED	APPROVED
1	將本體腳 layout 改為橢圓孔, 將 LAYOUT 改為 Top view, 及 2# 和 3# 的位置	2008.12.09	SPAIN	ERIC

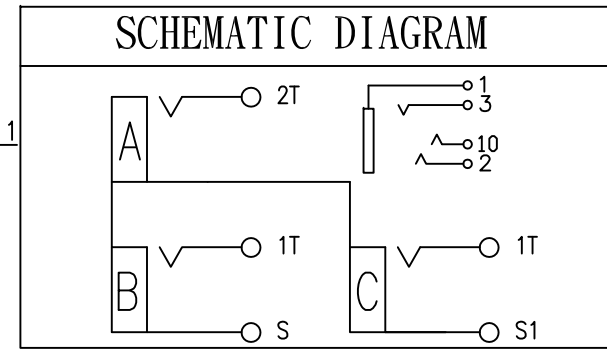


T:1.6 Dimensions of PC board holes

Tolerance : ± 0.1 (Printed-Top view)

UNLESS OTHERWISE SPECIFIED, TOLERANCE ON DECIMAL: ± 0.3

TYPE	A	3.5JACK
	B	C
COLOR		3.5JACK



QTY	PART NAME	MATERIAL	REMARK
1	TERMINAL	C5191	MB:Cu Ag PLATED
1	TERMINAL	C5191	MB:Cu Ag PLATED
1	TERMINAL	C5191	MB:Cu Ag PLATED
1	TERMINAL	C5191	MB:Cu Ag PLATED
1	OUTER CONTACT	C2680	MB:Cu Cu/Sn PLATED
1	TERMINAL	C2680	MB:Cu Cu/Sn PLATED
2	TERMINAL	C2680	MB:Cu Cu/Sn PLATED
3	WASHER	PBT 4815	UL-94V0
1	HOUSING	PBT 4815	UL-94V0(BLACK)

LTR	PART NAME	QTY	MATERIAL	REMARK
DWN	SPAIN	DATE	2005.11.18	3RD ANGLE PROJECTION
CHKD	ANFOU	DATE	2005.11.18	
APVD	JABKY	DATE	2005.11.18	UNIT: mm
SINGATRON U.S.A.				DWN.NO.
				KY-04080
				002

NAME	PIN JACK
CAT. NO.	2PJ-WT04080A-H
DWN.NO.	KY-04080
	002