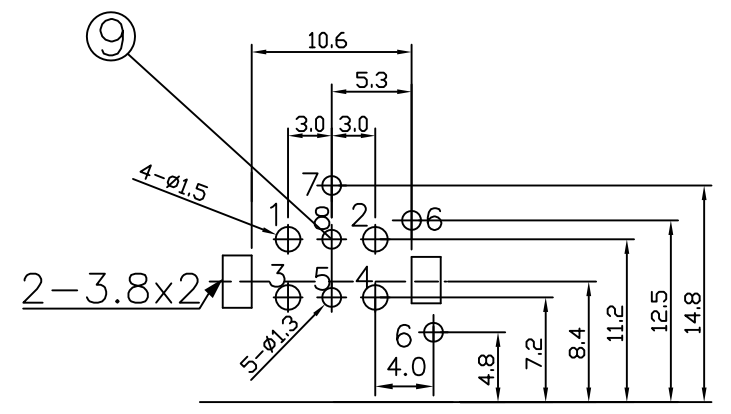
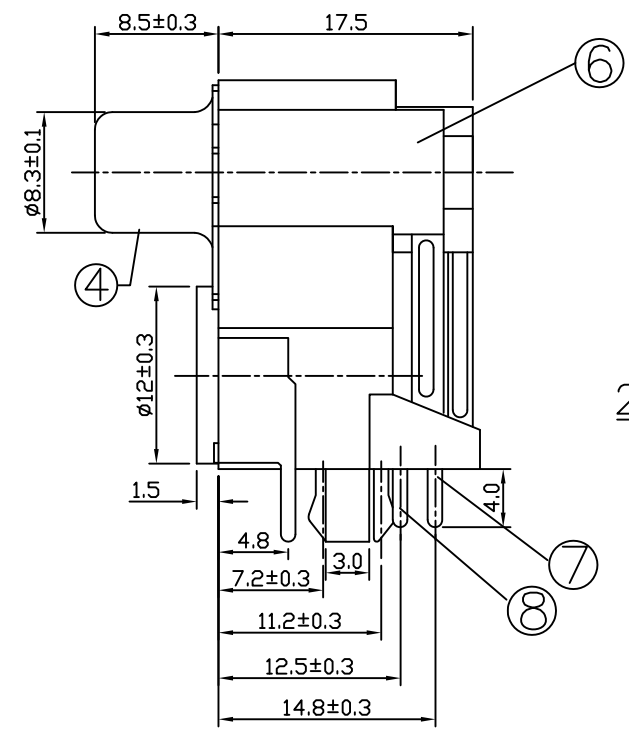
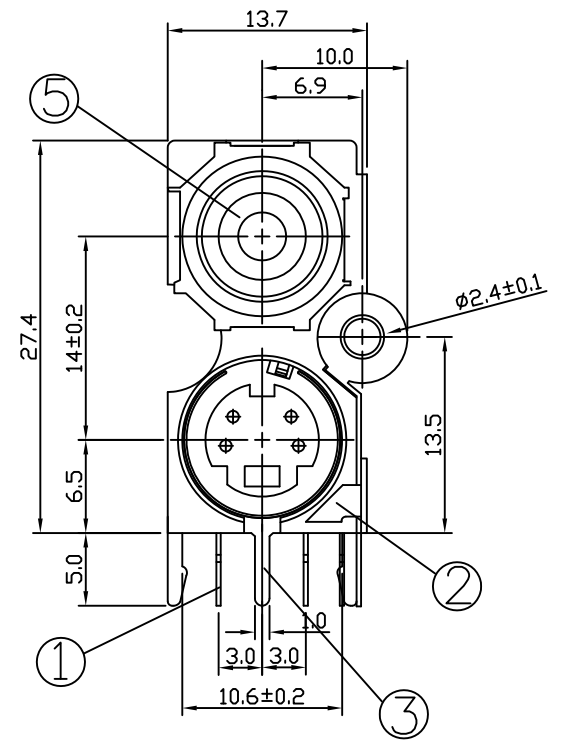


* REVISIONS				
LTR	DESCRIPTION	DATE	REVISED	APPROVED



T:1.6 Dimensions of PC board holes  
Tolerance : ±0.1(Printed-top view)

	S JACK	PIN JACK
SCHEMATIC		
COLOR	WASHER	
	HOUSING	BLACK

### LEAD FREE

9	EARTH FITTING	1	C5191 t=0.30	MB:Ni Ag PLATED
8	EARTH FITTING	1	C2680 t=0.35	MB:Cu Cu/Sn PLATED
7	TERMINAL	1	C2680 t=0.40	MB:Cu Cu/Sn PLATED
6	HOUSING	1	PBT 4815	UL-94V0(BLACK)
5	WASHER	1	PBT 4815	UL-94V0
4	OUTER CONTACT	1	C2680 t=0.40	MB:Cu Cu/Sn PLATED
3	GROUND CONTACT	1	C2680 t=0.35	MB:Cu Cu/Sn PLATED
2	EARTH FITTING	1	C2680 t=0.25	MB:Cu Cu/Sn PLATED
1	CENTER CONTACT	4	C5191 t=0.40	MB:Ni Ag PLATED
LTR	PART NAME	QTY	MATERIAL	REMARK
DWN	ANJOU	DATE	2009.11.19	3RD ANGLE PROJECTION NAME PIN JACK+S JACK CAT. NO. 2PJ-WT04091B1-H DWN.NO. WL-04091B1 003
CHKD	ANJOU	DATE	2009.11.19	
APVD	GIEVEN	DATE	2009.11.19	
SINGATRON U.S.A.				

UNLESS OTHERWISE SPECIFIED, TOLERANCE ON DECIMAL: ±0.3